

## Towel Rail Installation

- review instructions carefully before installation
- installation should be completed by a suitably qualified person
- please dispose of packaging in a responsible manner

### Contents list

Ref	Description	Quantity
A	Ladder Rail	1
B	Blanking Plug	1
C	Air Vent Plug	1
D	Wall Support	4
E	Masonry Wall Plug	4
F	Long Screw	4
G	Small screw	4
H	Spacer	4
I	End Cap	4
J	Cross Bolt	4
K	Bracket Bush	8
L	Washer	4

1

### Tools required (not supplied)

Description
PTFE Tape
Large Flat Screwdriver
8mm Masonry Bit or 3mm Wood Bit
Socket Set
Spanner
Clean Cloth
Allen Key

Please read these instructions prior to installation.

These instructions must be carried out in order.

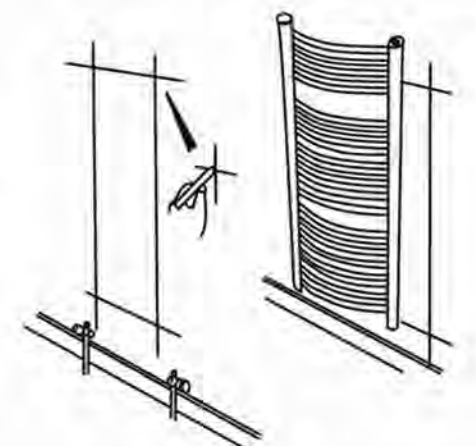
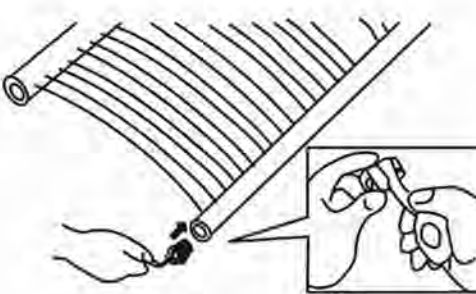
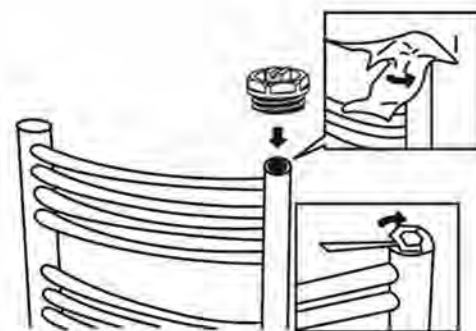
Use the contents list on page 1 to ensure all parts are accounted for and not damaged. Under no circumstances should this product be installed if any of the parts are damaged or missing. In the unlikely case that there are any installation issues, please contact your dealer.

1. Select your desired installation position and ensure that the wall is sufficiently strong enough to hold the weight of the ladder rail A. Brick or breezeblock walls are ideal. If positioning on plasterboard wall it MUST be fixed to the timber batons within the wall.

2. Apply PTFE tape to blanking plug B and air vent plug C. Insert them into the top two threaded hole in the upright channel of the ladder rail A. They can fitted on either side. Using a cloth to prevent scratching, tighten with a spanner.

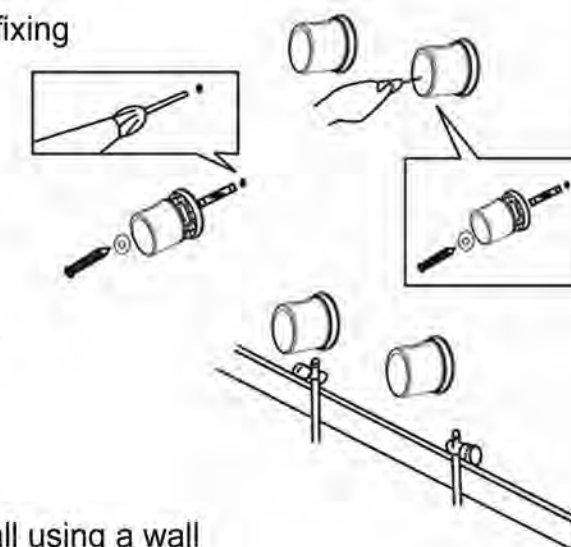
3. Apply PTFE tape to the radiator valve tails (not supplied) and insert them into the bottom threaded holes in the upright channels of the ladder rail A. Tighten with Allen Key (not supplied).

4. The wall supports D should be fitted at approximately 10cms from the inside edge of the ladder rail A--2 near the top of the ladder rail A and 2 near the bottom. The mounting height can be varied between any of the ladder A bars to allow for finding the best fixing point on the wall. Mark the fixing points with a pencil.



2

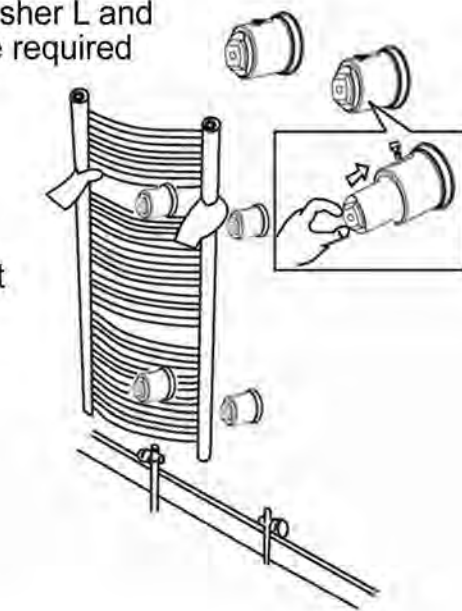
5. Mounting to Brick or Breezeblock at the required fixing positions. Drill hole using 8mm masonry bit and insert the wall plug E into the hole ensuring it's flush with the wall. Place the long screw F through the centre of the washer L and the spacer H. Tighten into the masonry wall plug E.



- Mounting to Wood  
Place the long screw F through the centre of the washer L and the spacer H and screw into the wooden baton at the required fixing positions.

- Mounting to Plasterboard  
Locate wooden batons within the plasterboard wall using a wall stud detector and mark their position. Place the long screw F through the centre of the washer L and the spacer H and screw into the wooden baton at the required fixing positions.

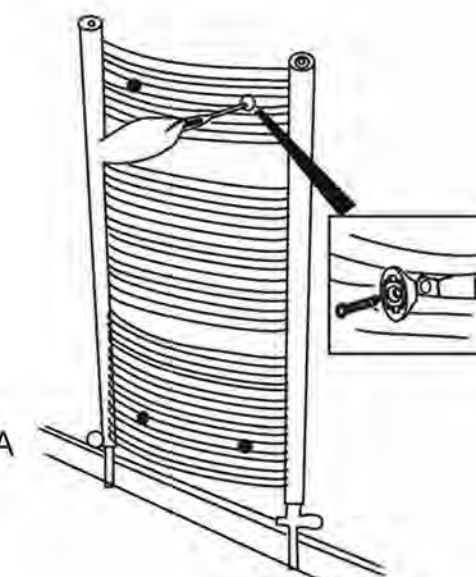
6. Place the wall support D inside the spacer H and insert the small screw G into the hole in the wall support D. Don't over-tighten to allow for adjustment later.



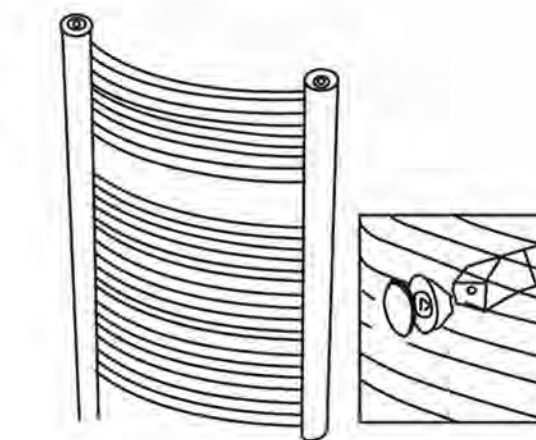
7. Offer the ladder rail A up to the fixing brackets and place cross bolt J through the bracket bush K.



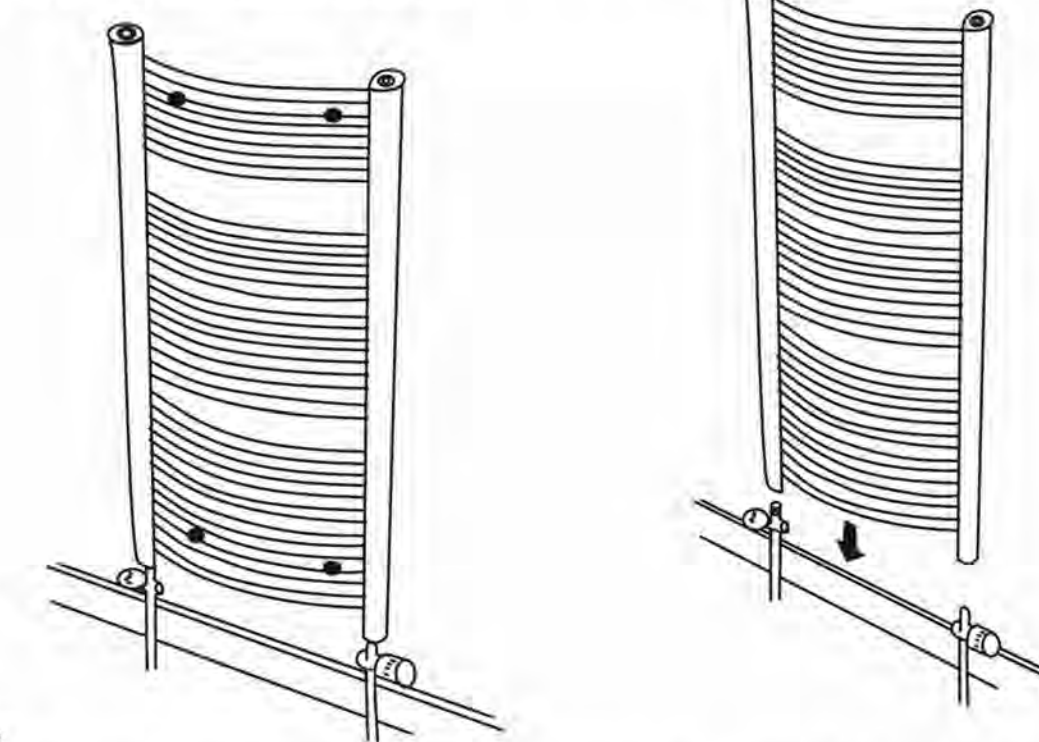
Place the cross bolt J between the selected ladder rail A bars and thread into the wall support D ensuring the face of the bracket bush K clings to the ladder rail A.



8. Adjust the position of the supports into the spacers making sure that the rail is parallel to the wall and at the desired distance. Then tighten the small screws G to secure. Push the end caps I over each of the bracket bush heads K until they click into position.



9. Connect the radiator valve tail to the radiator valve using PTFE tape and tighten securely.



### Important

- \* Ensure that your central heating system is thoroughly flushed before use to rinse out any foreign residues.
- \* You must add a suitable inhibitor to the central heating system to help prevent internal corrosion and limescale build up.
- \* Failure to cleanse and protect the system correctly is likely to cause small pinhole leaks and invalidate the guarantee.
- \* Wipe the surface clean with a soft, damp cloth. Never use abrasive cleaners on this product as they will damage the surface.

4