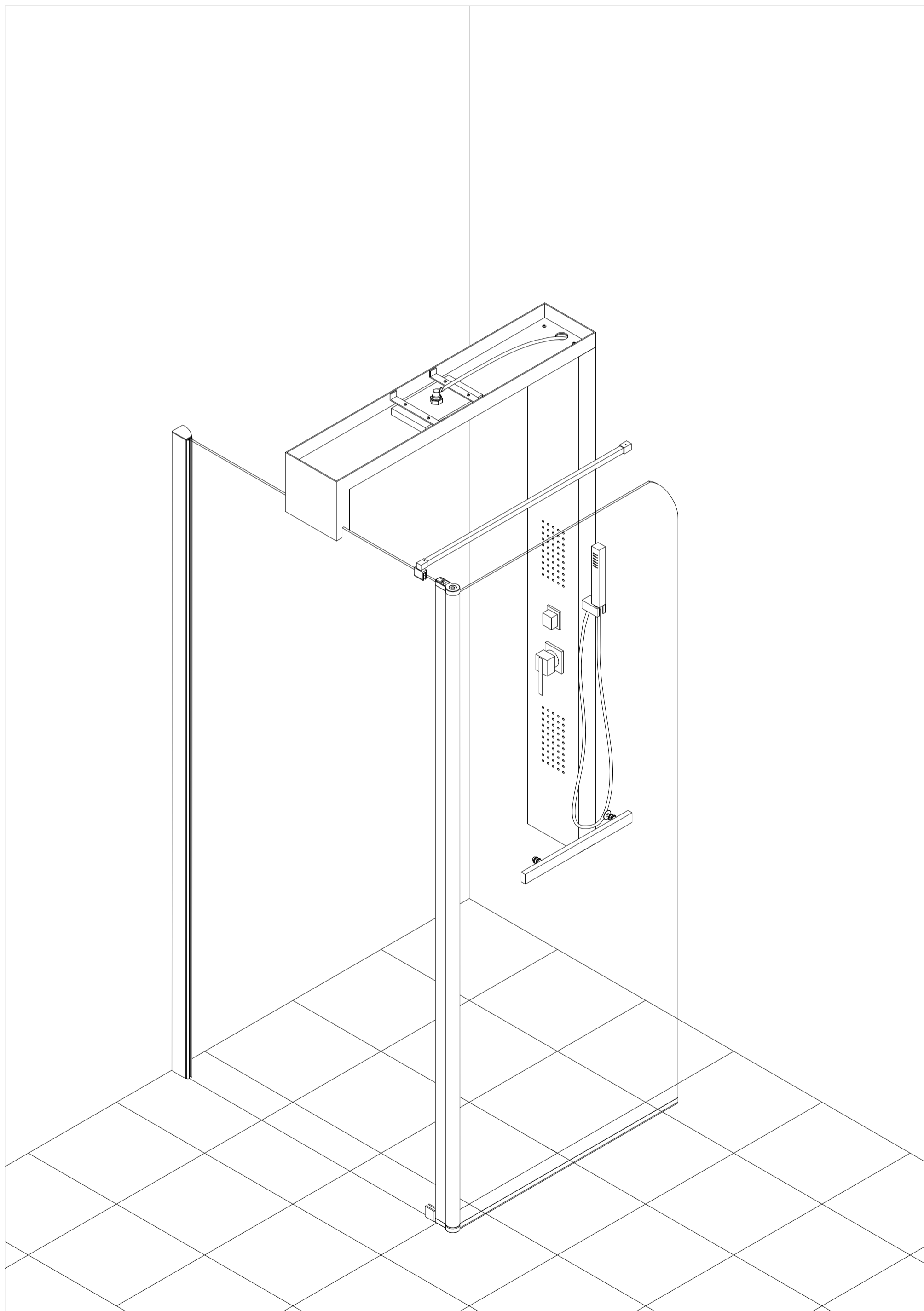


ASSEMBLY INSTRUCTIONS

WALK-IN SHOWER

DWI1001/1002



Decide which hand is required. Left hand installation illustrated for reference purposes.

This product is universal for left or right hand installation.

V01/06/2013

BEFORE YOU START, HERE IS SOME IMPORTANT INFORMATION

1) General Information

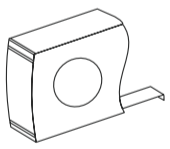
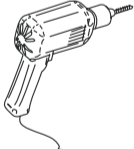
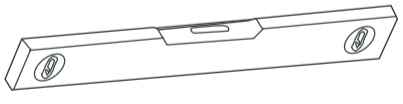
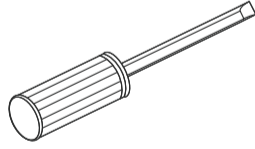
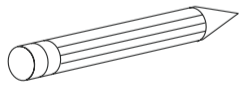
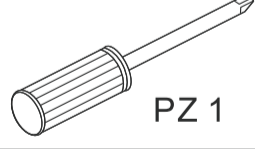
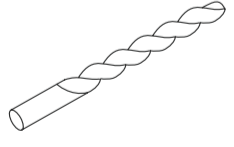
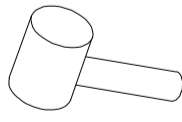
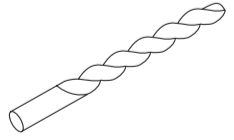
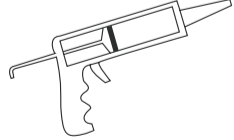
Please inspect this product upon delivery, any missing parts or manufacturing defects must be reported immediately to the supplier. Damage or defects reported later will not be accepted. **TAKE CARE WHEN HANDLING GLASS PARTS-AVOID HEAVY CONTACT BETWEEN THE GLASS EDGES AND ANY HARD SURFACE.** Glass breakage claims will not be accepted after the product has been unpacked.

Please note-- aluminium is a soft metal, and undergoes a series of extrusion, fabrication, polishing and anodising processes in order to create your finished shower enclosure. Some light surface marks are normal, and is a result of the manufacturing processes. Quality control has ensured that this item is of a good standard, and is fit for purpose.

2) Additional Notes

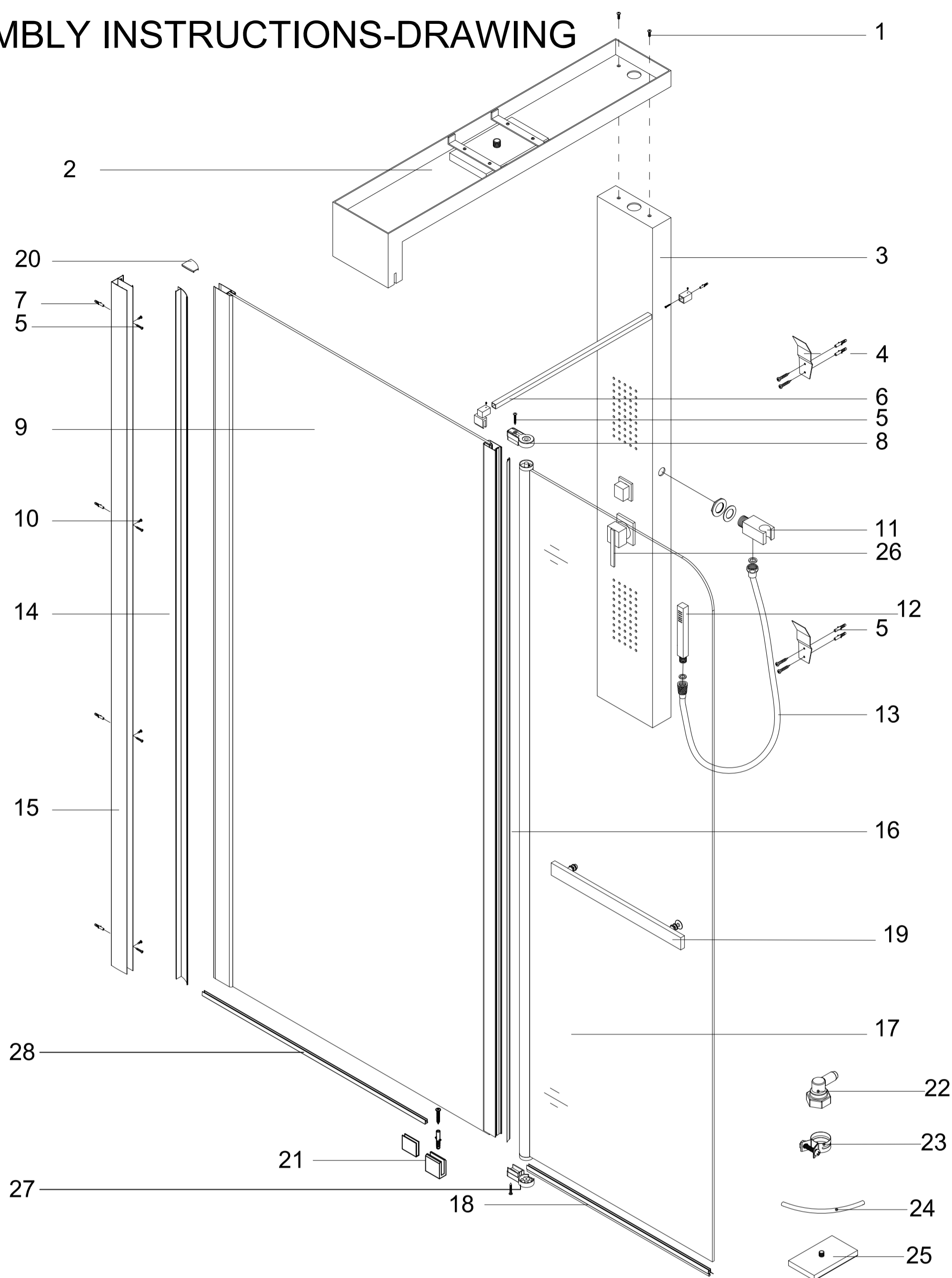
Please read these instructions carefully before starting installation. Special care should be taken when drilling walls to avoid hidden pipes or electrical cables. Note: this product is heavy and may require two people to install.

TOOLS REQUIRED

DESCRIPTION	PART IMAGE	DESCRIPTION	PART IMAGE
Tape measure		Drill	
Spirit level		Flat-head Screwdriver	
Pencil		Cross head Screwdriver	
Ø6mm Drill bit		Rubber mallet	
Ø3mm Drill bit		Silicone Sealant	

 **This product is heavy and may require two people to install.**

ASSEMBLY INSTRUCTIONS-DRAWING



(1) 2xScrew M6x15

(2) 1xTop shower column

(3) 1xShower column

(4) 2xShower column wall brackets

(5) 12xScrew M4x25

(6) 1xWall support bracket

(7) 10xWall plug

(8) 1xHinge cap-top

(9) 1xWall side glass panel

(10) 4xScrew M4x8

(11) 1xHand shower holder

(12) 1xHand shower

(13) 1xFlexible hose

(14) 1xWall profile cover

(15) 1xWall profile

(16) 1xGlass profile

(17) 1xMoving glass panel

(18) 1xBottom water seal

(19) 1xHandle

(20) 1xProfile cap

(21) 1xGlass bracket

(22) 2xConnector

(23) 8xFastener

(24) 1xHose

(25) 3xShower jet

(26) 1xFaucet

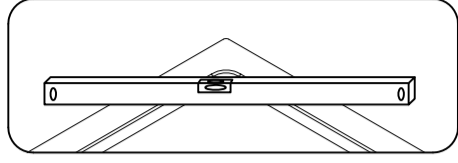
(27) 1xHinge cap-bottom

(28) 1xBottom seal for wall side glass panel

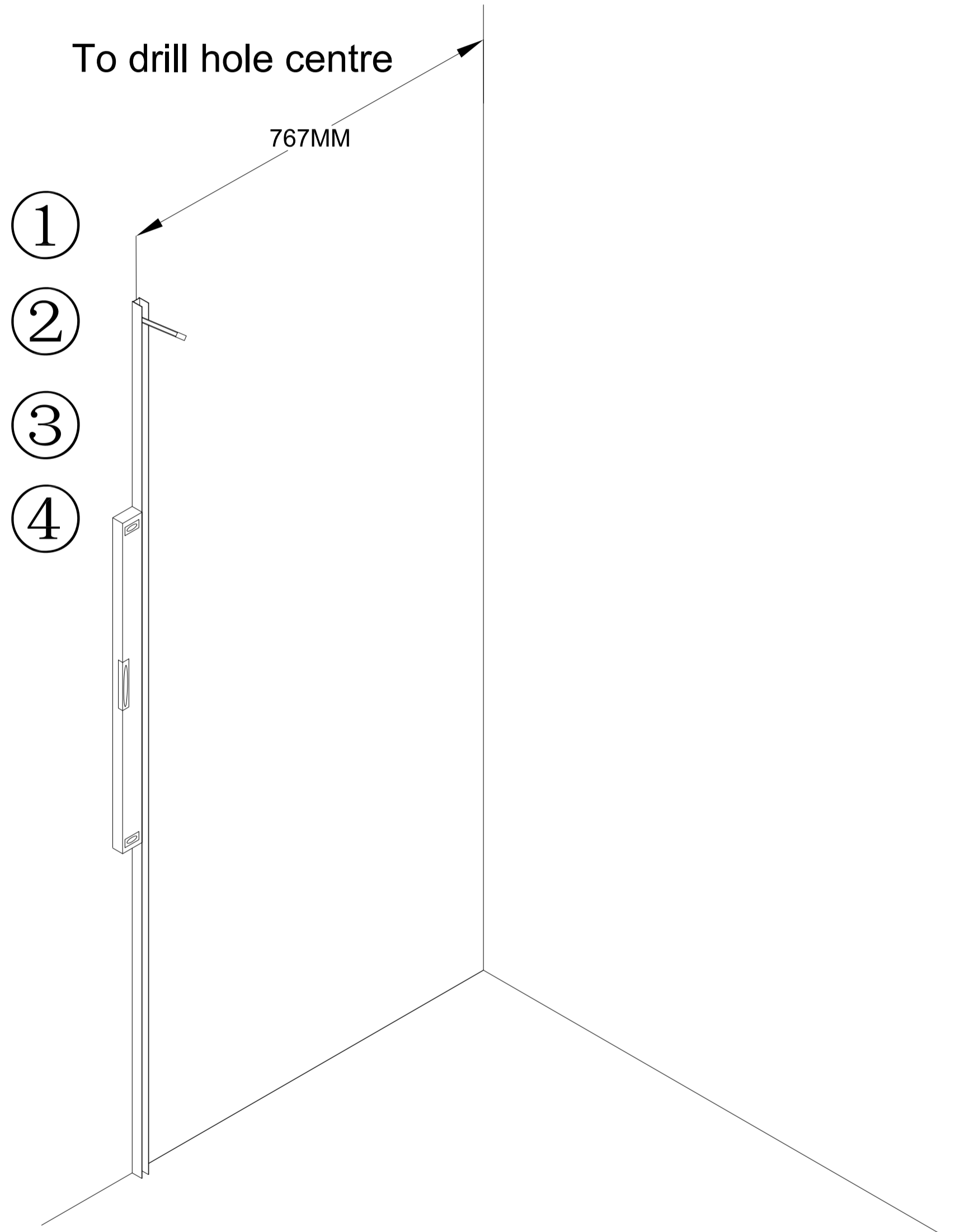
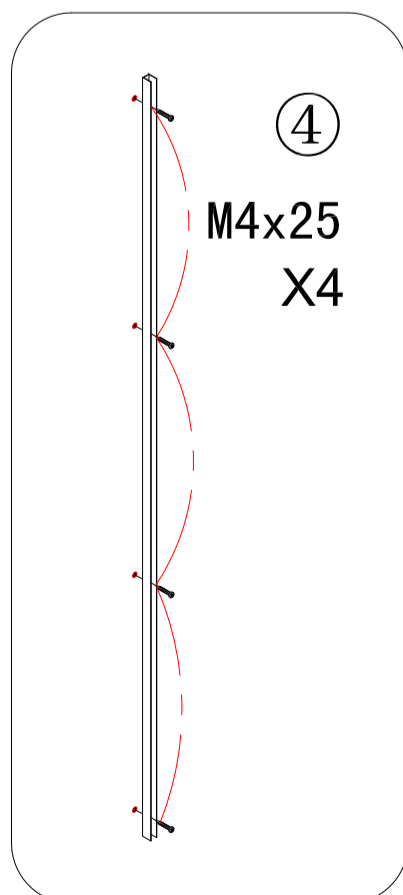
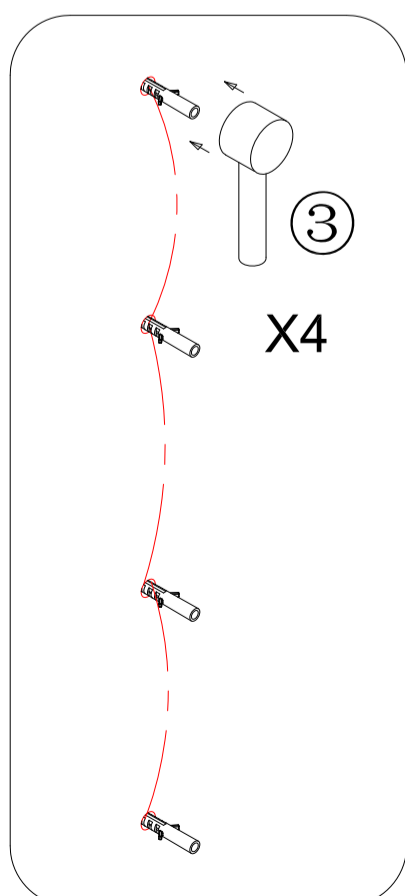
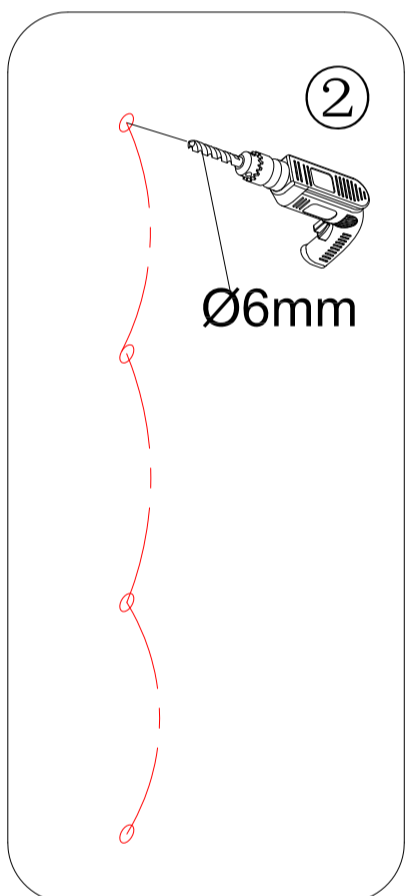
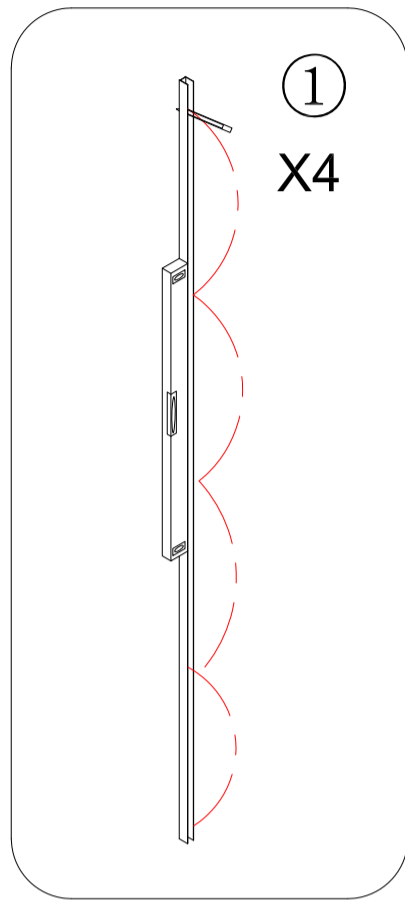
ASSEMBLY INSTRUCTIONS

If you require help, we advise you firstly contact a competent plumber
Installation Steps

Make sure that the shower tray/floor is flat and level, and sealed correctly to the wall.



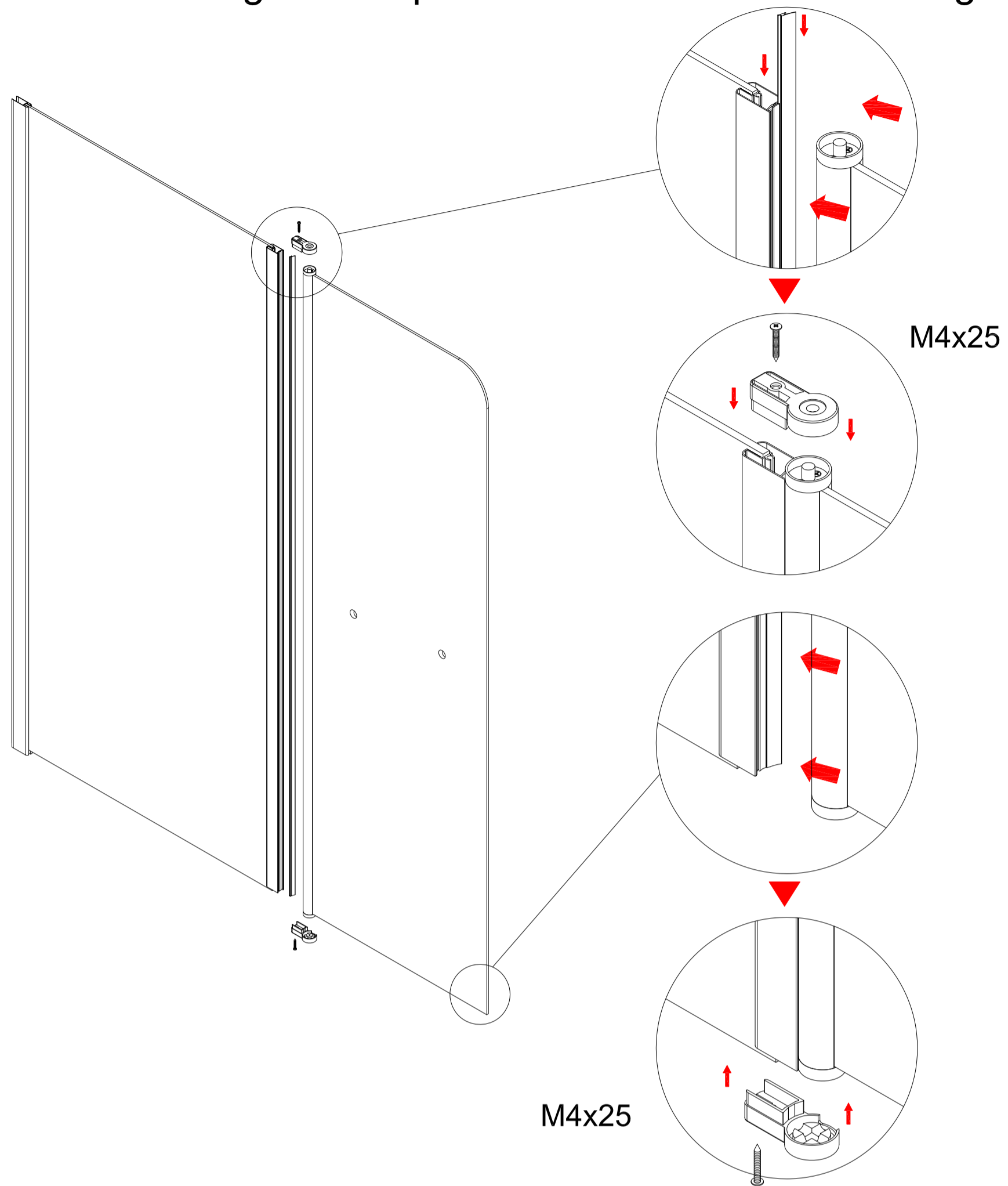
Step 1



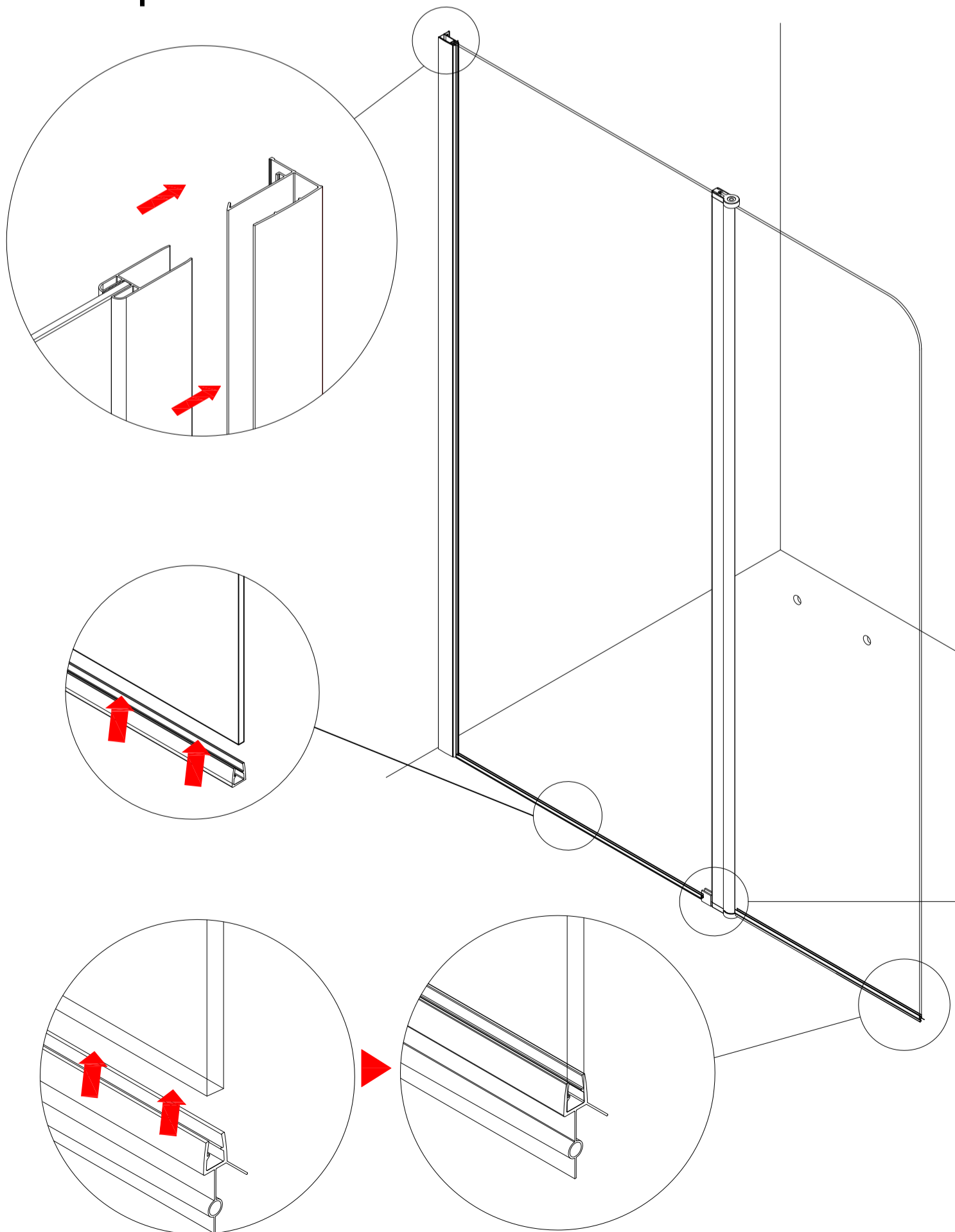
3 TAKE CARE NOT TO DAMAGE WALL SURFACE

Step2

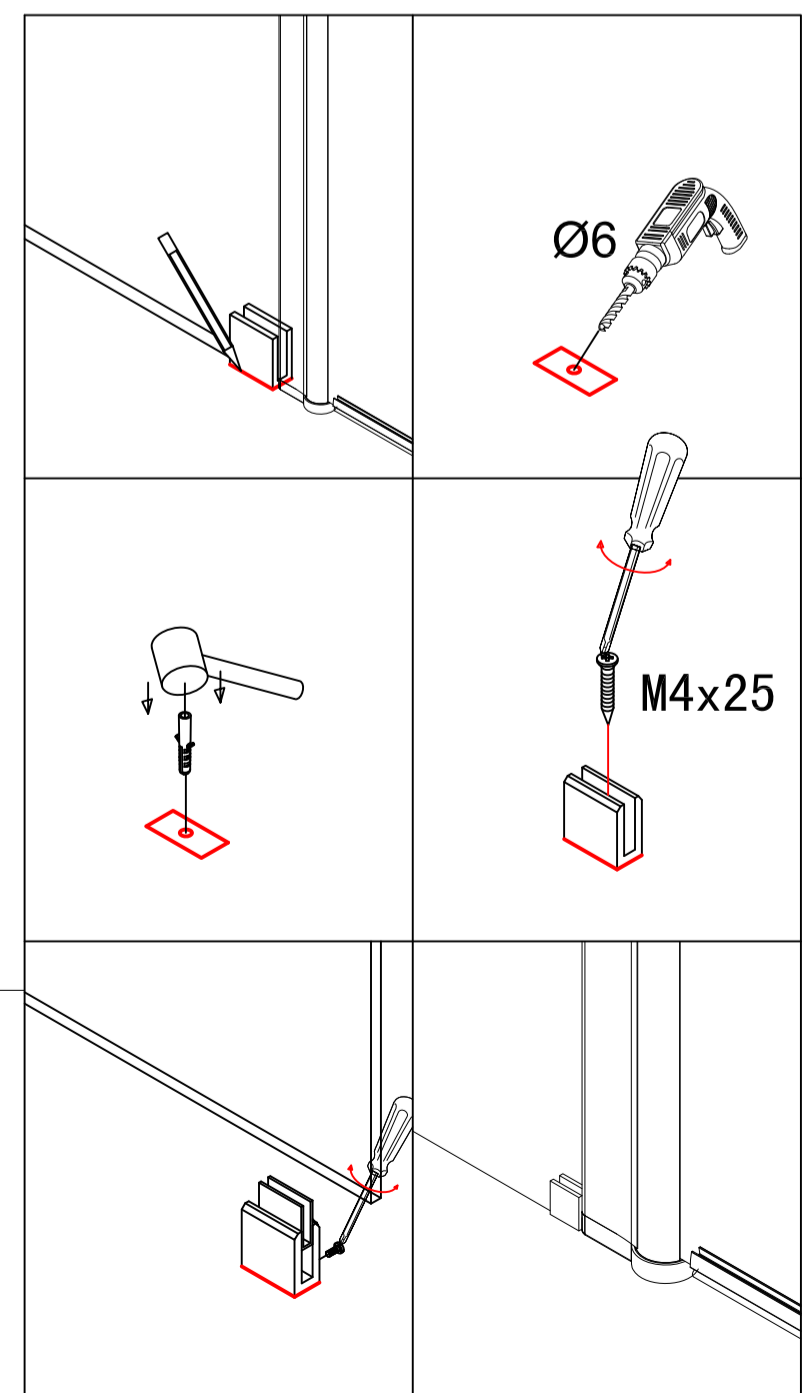
Plastic splash seal. For left hand fitting, slide in the left hand profile slot with the seal curving round to the right. For right hand fitting turn the seal upside down and slide in the right hand profile slot with the seal curving round to the left.



Step3

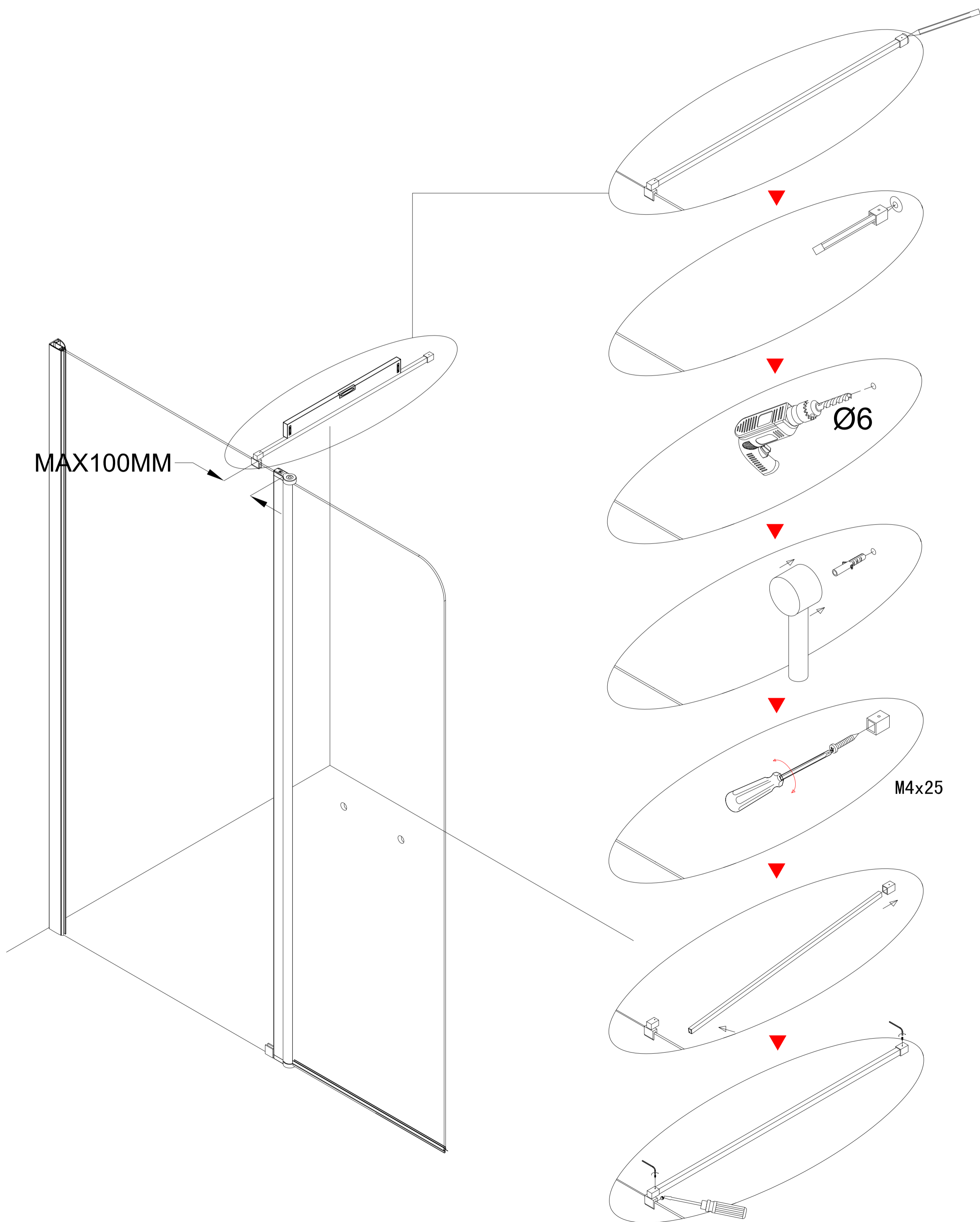


Left hand fitting bottom cap, is also right hand fitting top cap.
NOTE: Cut out section always to the inside.

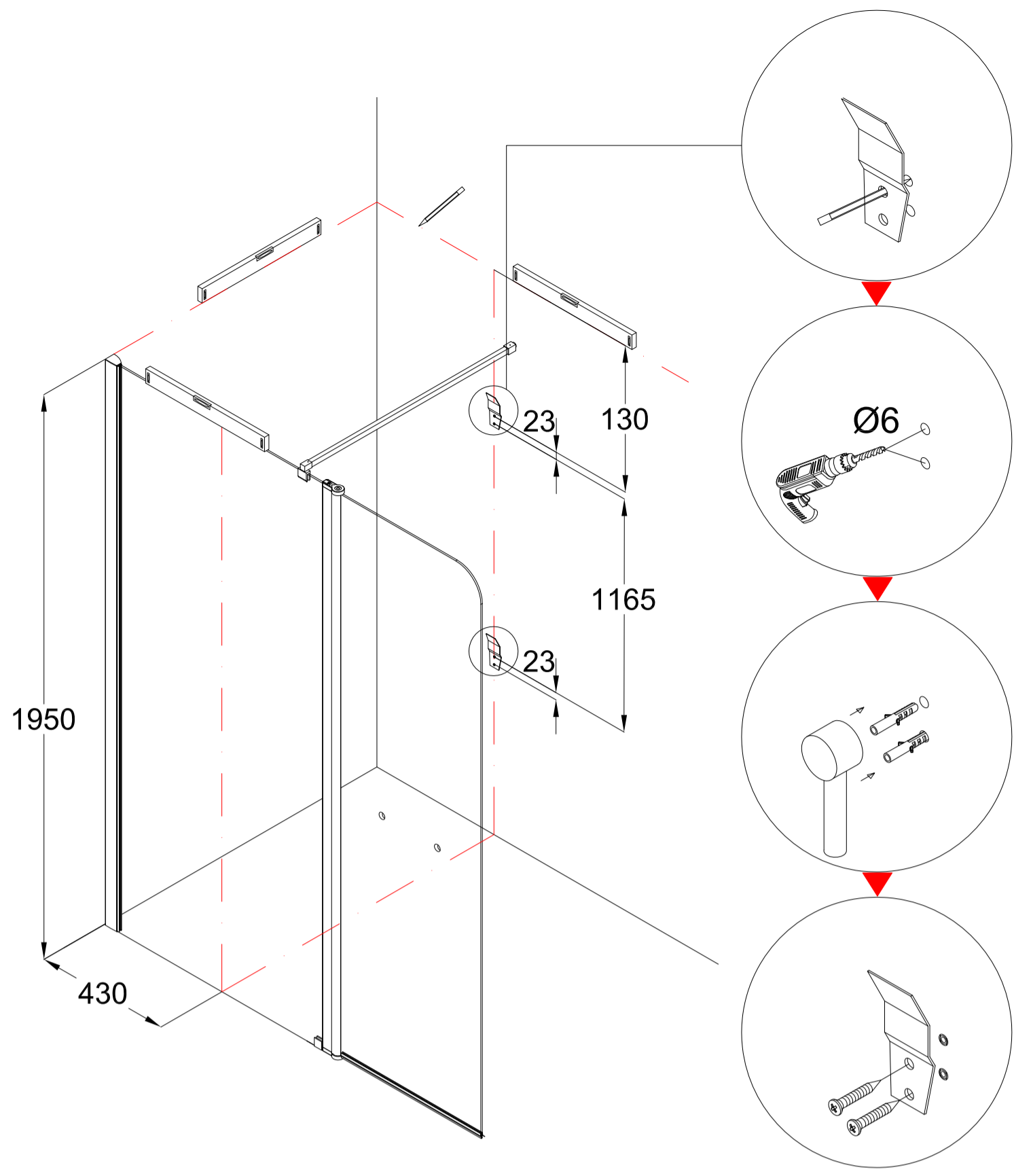


Step4

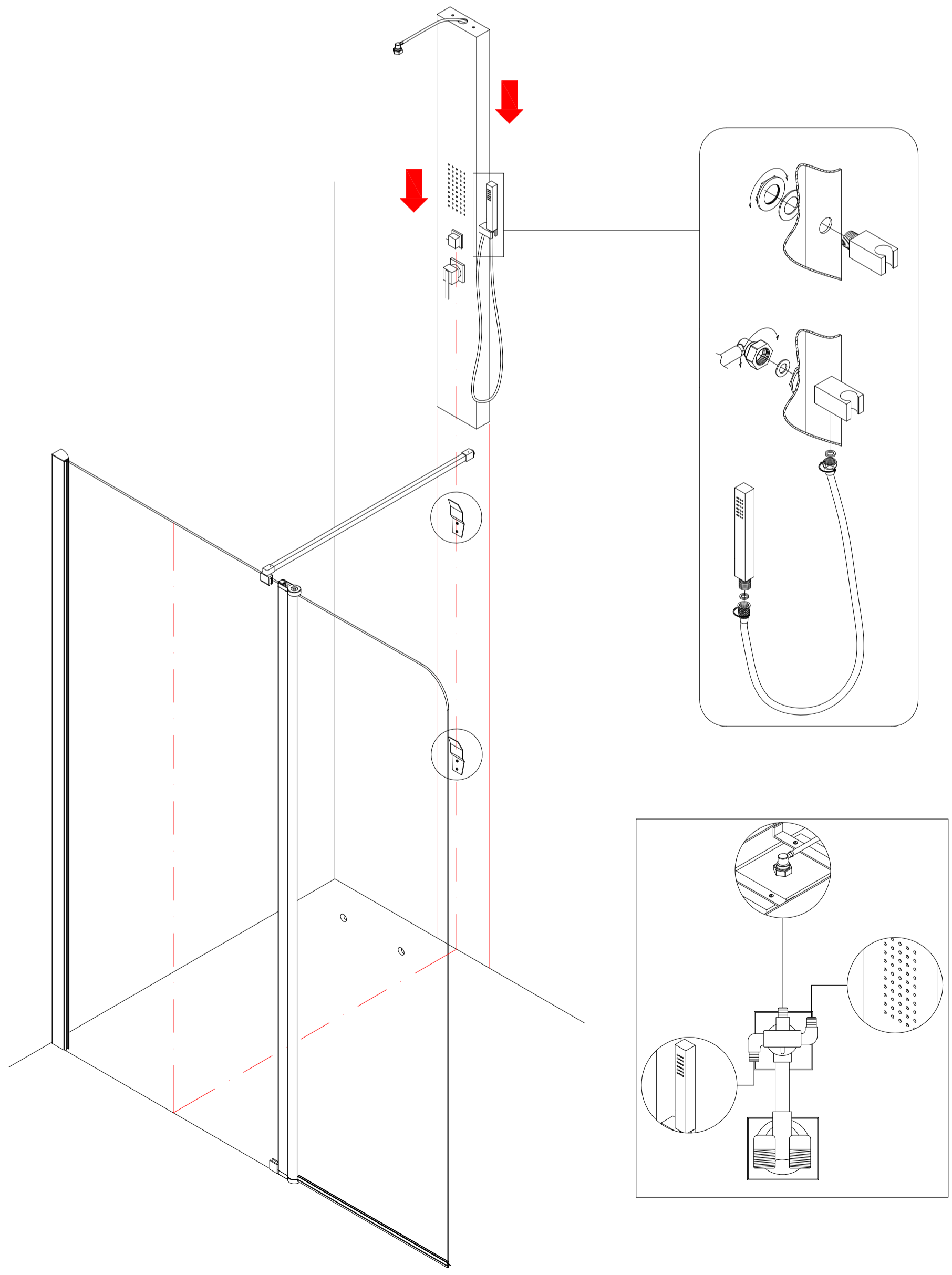
Cut the wall support bar down if necessary to fit the actual distance available from the wall to the glass.



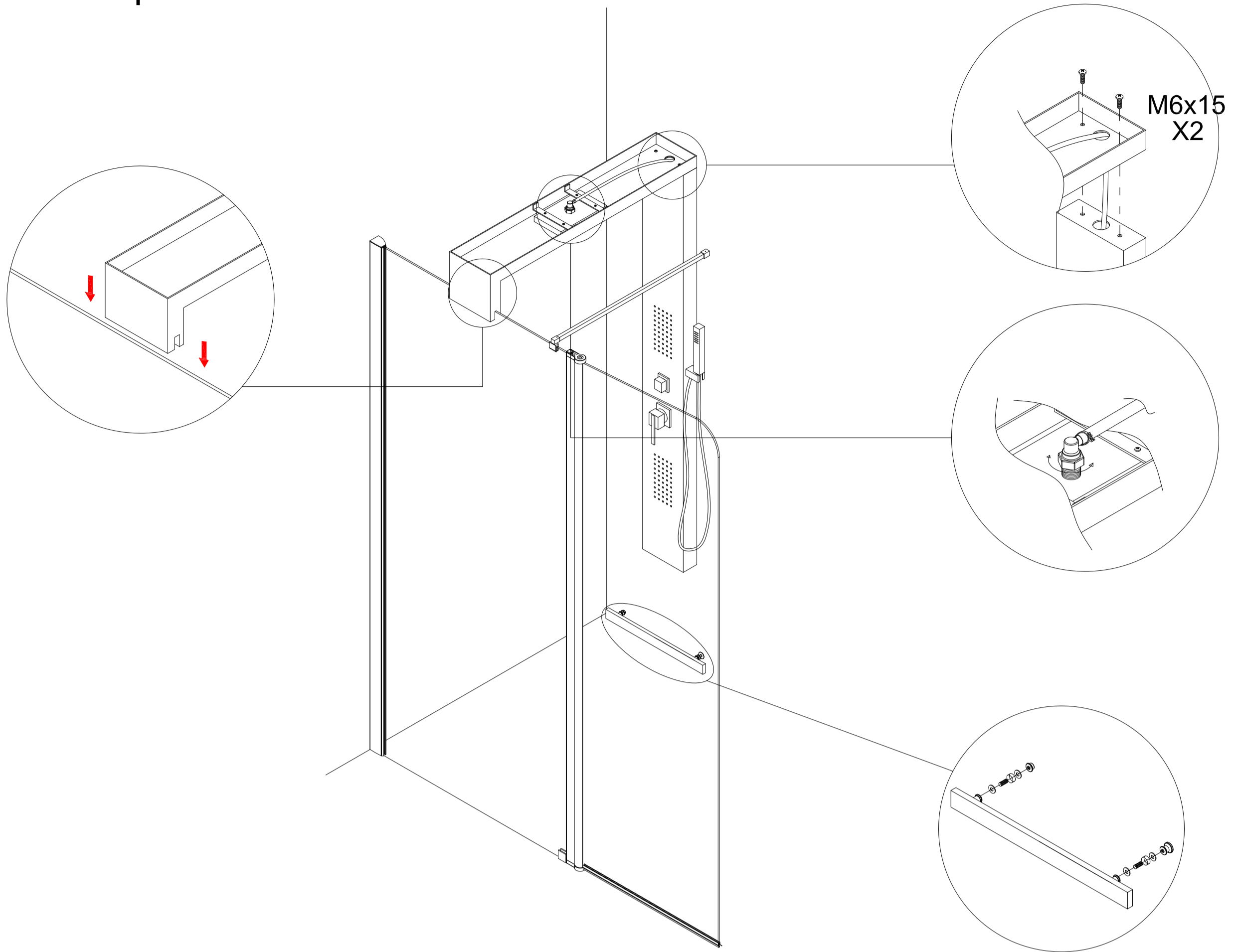
Step5



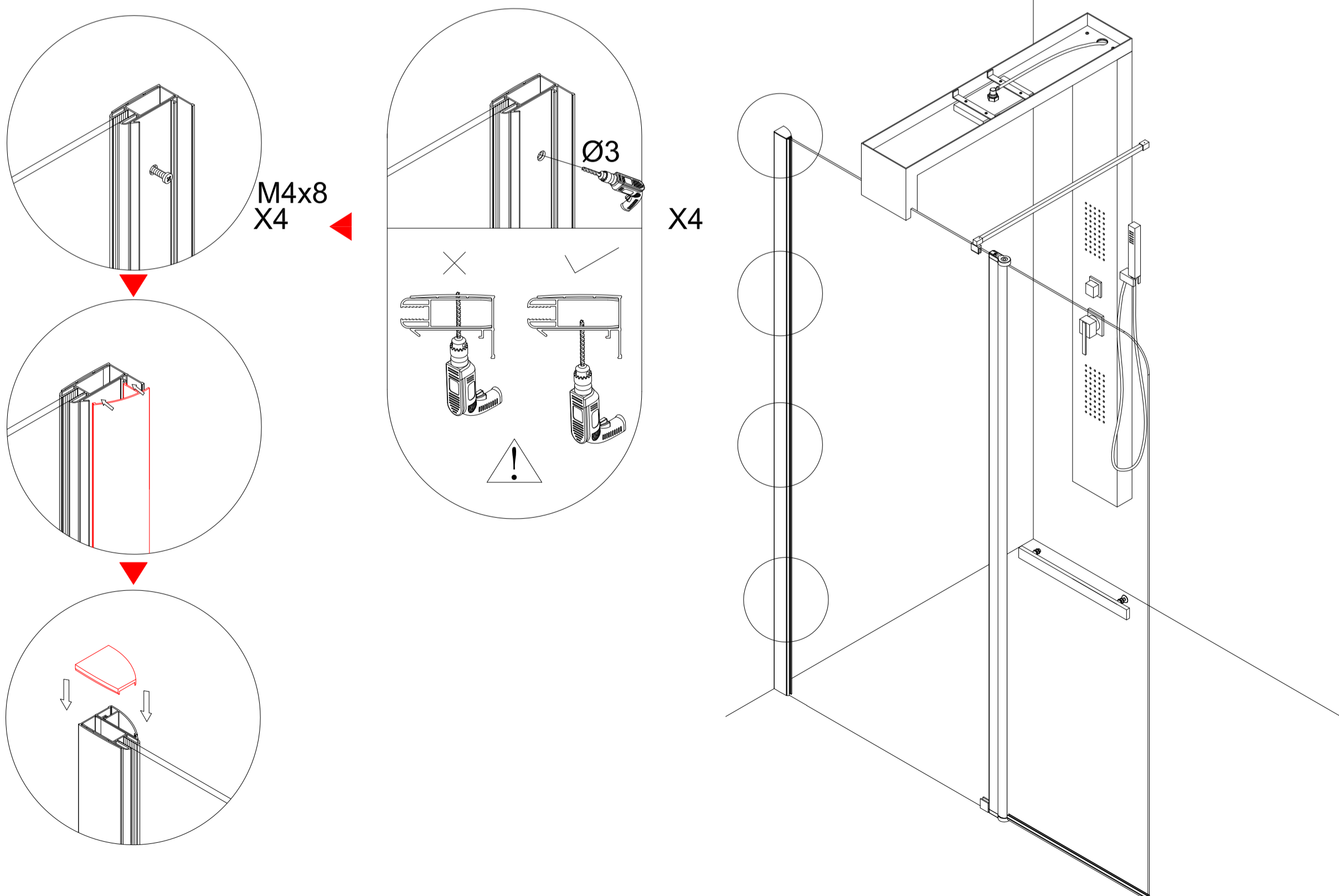
Step6



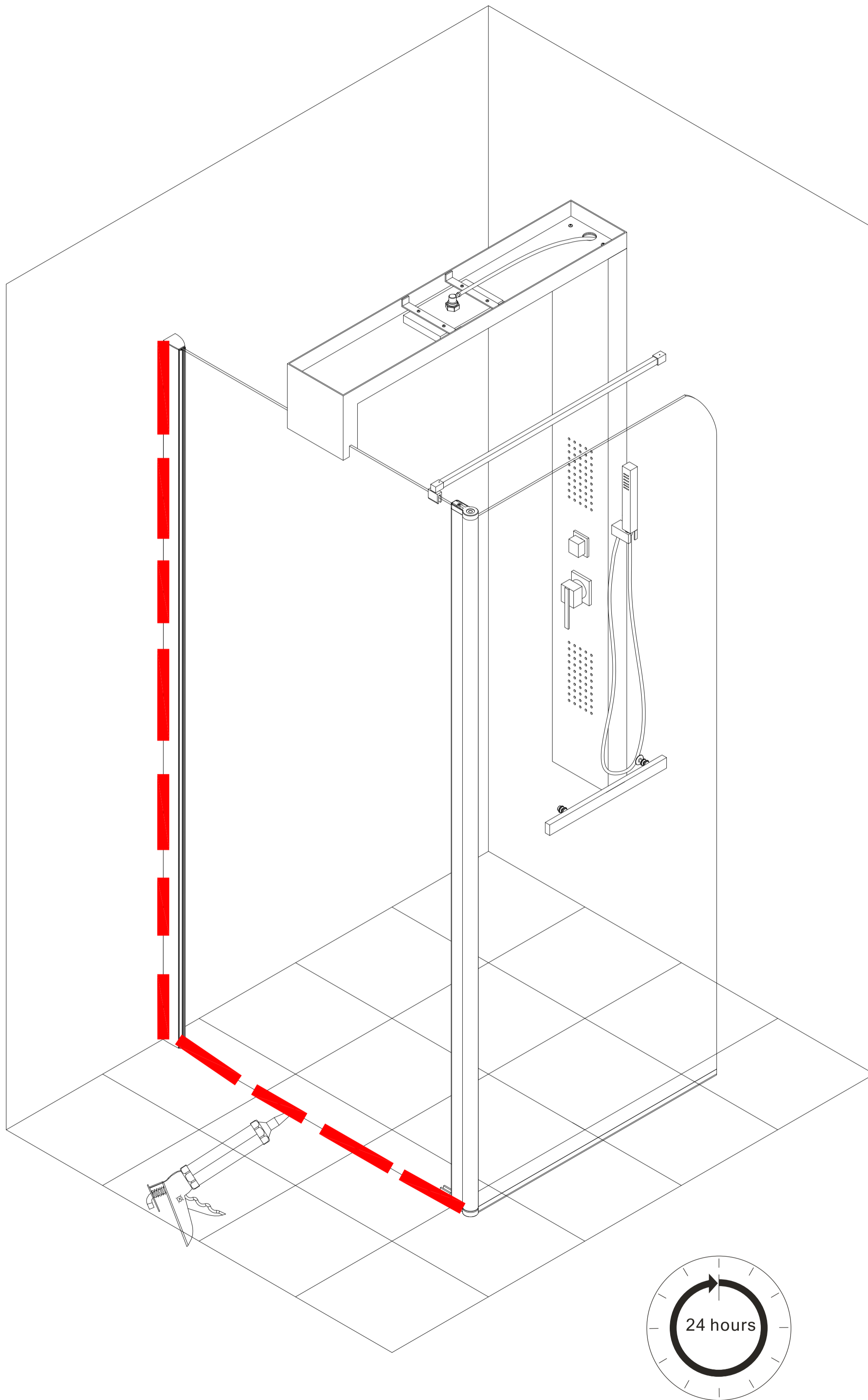
Step7



Step8



Step9



Silicone (outside edge only) where the vertical profiles meet the wall, and the glass meets the floor or tray, depending on customer's choice.

CARE AND MAINTENANCE

1) AFTER CARE INSTRUCTIONS

Regularly clean your shower product with warm soapy water to prevent lime scale build up. Do not use abrasive cleaning fluids or materials, or strong chemical cleaners as this will damage the product surface.

2) MAINTENANCE

Clean the plastic parts with a cloth and mild detergent. Never use any abrasive creams, dissolvents, acetone or detergents and disinfectants that contain chlorine. The supplier accepts no liability for any type of use or care other than those contained in these instructions. The supplier reserves the right to introduce technical changes without notice.

COMMITMENT TO QUALITY

It is our intention that the quality and functions of this product are of the highest standard. If you require help we advise you firstly contact a competent plumber. However we understand that this may not always be the case, so should you experience any problems please contact our customer services quoting the following:

Product name: Walk-in Shower

Product code: DWI1001/1002

Customer help line number: 0844 804 45 45