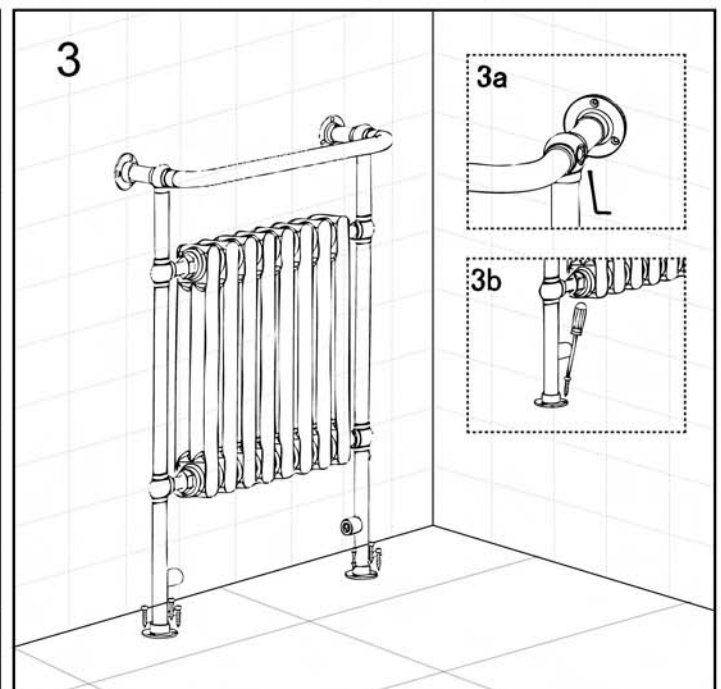
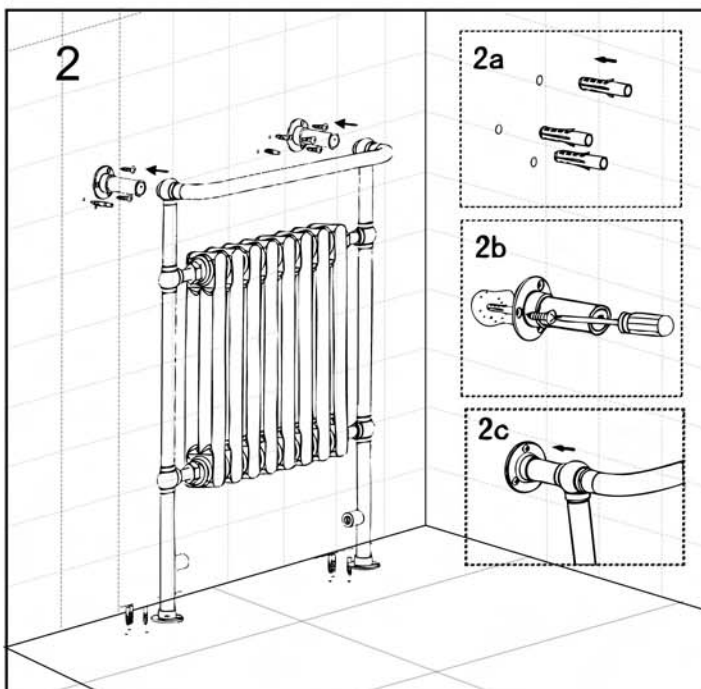
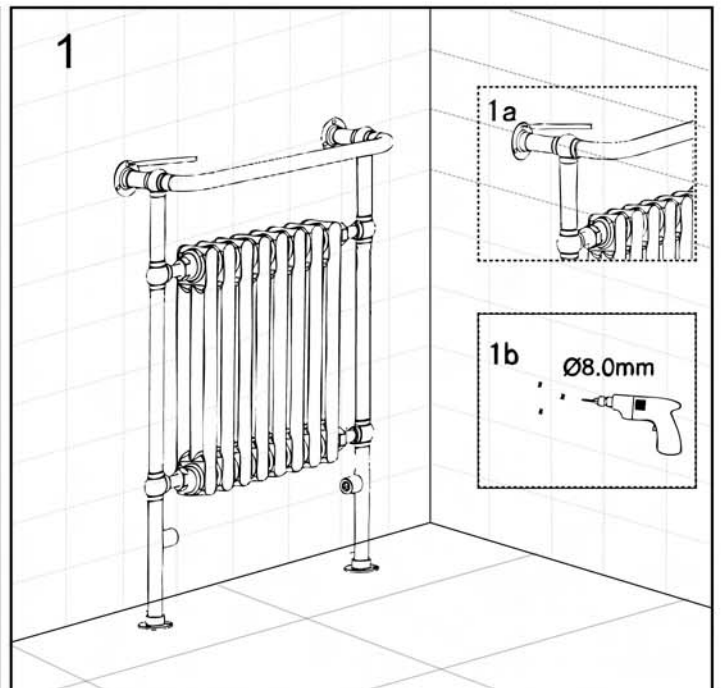
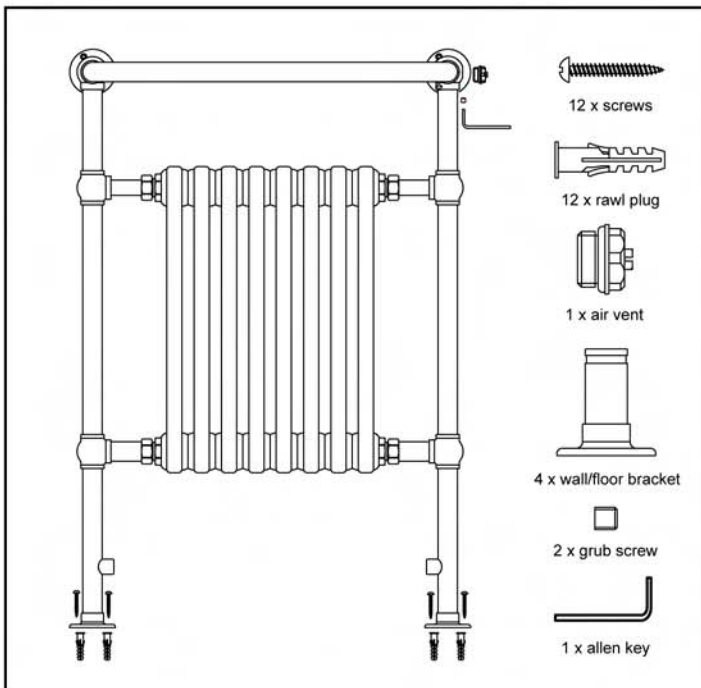
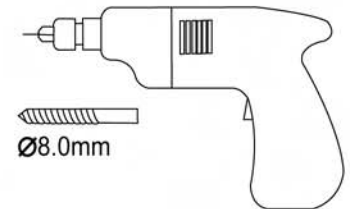
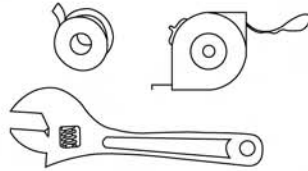
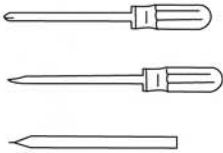
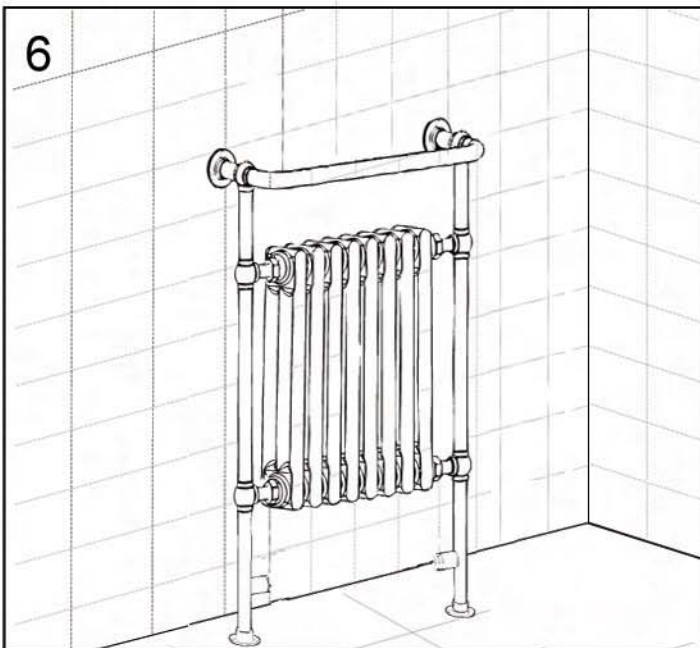
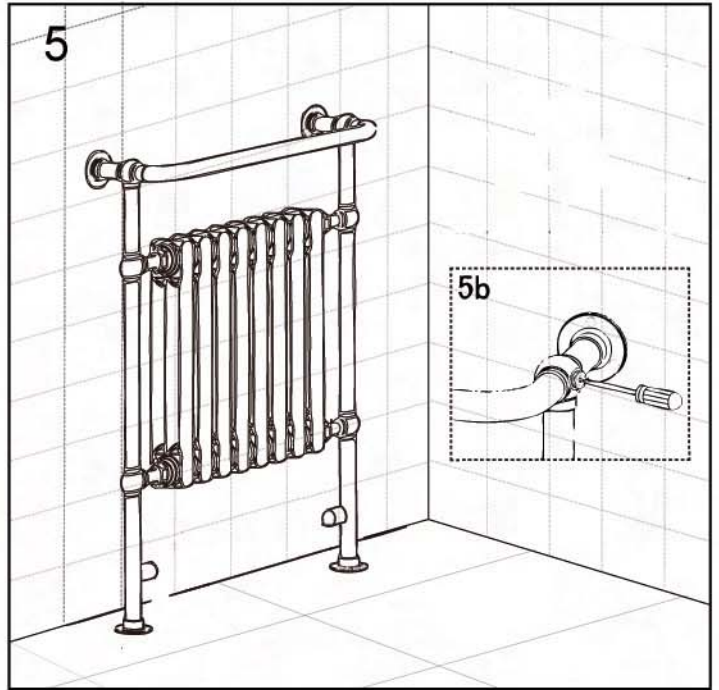
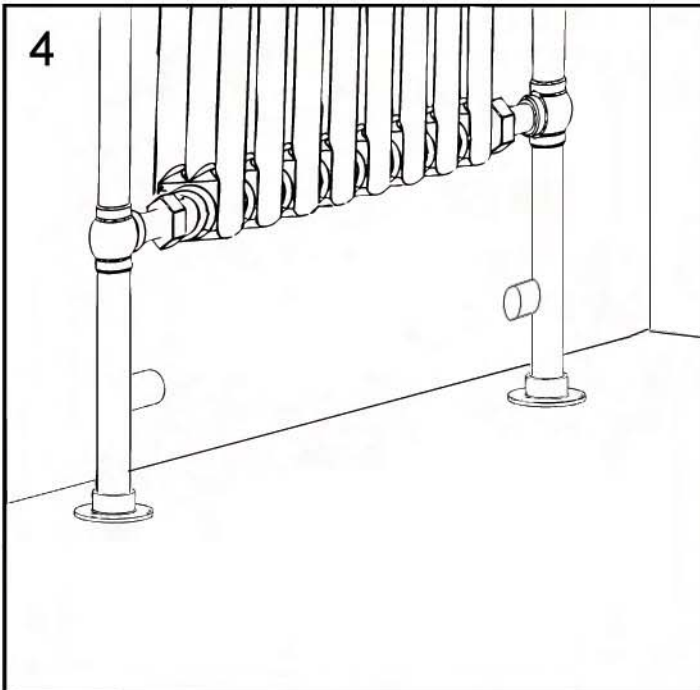


# Towel Rail Installation

- review instructions carefully before installation
- installation should be completed by a suitably qualified person
- please dispose of packaging in a responsible manner

## tools required





### After installation . . .

- Use a screwdriver to open the air vent, open the valve and let the water rush into the towel warmer. Check all connections for leaks.
- Once water overflows from the air vent, there is no air in the tube.
- Use a screwdriver to close the air vent, turn on the valve and the towel warmer is ready for use.

### After care . . .

- Classic towel warmers are made from steel with chrome plating, and should not be cleaned with corrosive or scouring cleaning agents.

### Please note . . .

- This product can only be used at  $PN \leq 1\text{MPa}$  ( $10\text{g/cm}^2$ , 10 Bar), It should only be filled with water, and at a temperature below  $100^\circ\text{C}$  ( $212^\circ\text{F}$ ). See table below for installation requirements.
- If the temperature exceeds  $48^\circ\text{C}$  (or  $120^\circ\text{F}$ ), please install a warning sign near the product to avoid burning and scolding accidents.

Fill <sup>3</sup> / <sub>4</sub> Full	Pressure	Temperature	Comments
water only	$PN \leq 1\text{Mpa}$	$0^\circ\text{C} < t \leq 100^\circ\text{C}$	If ambient temperature drops below $1^\circ\text{C}$ , drain out the water to prevent freezing.