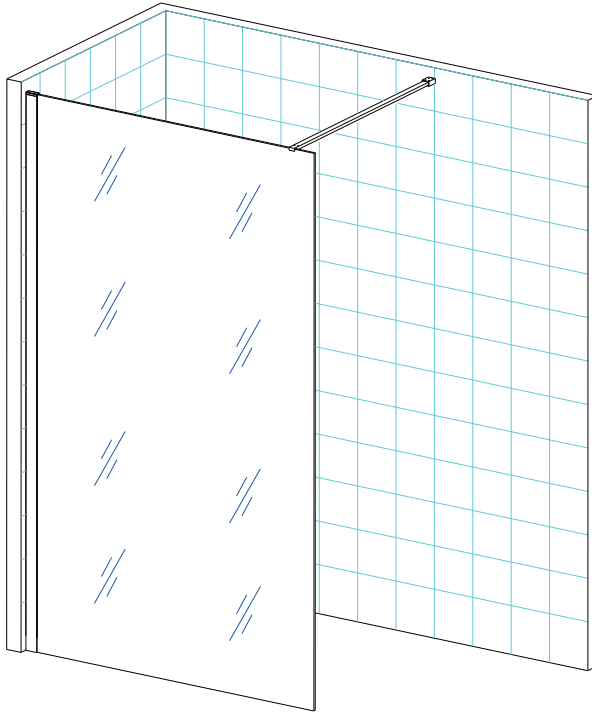


# Wetroom Panel

## Installation Instructions



**FRONTLINE**<sup>®</sup>  
the complete bathroom

- 700x1850MM
- 760x1850MM
- 800x1850MM
- 900x1850MM
- 1000x1850MM
- 1200x1850MM
- 1400x1850MM

- Please read these instructions in full before installing

## IMPORTANT

- Opening wall adjustments

700mm Modular Glass Panel - adjustment = 680 - 690mm

760mm Modular Glass Panel - adjustment = 740 - 750mm

800mm Modular Glass Panel - adjustment = 680 - 690mm

900mm Modular Glass Panel - adjustment = 880 - 890mm

1000mm Modular Glass Panel - adjustment = 980 - 990mm

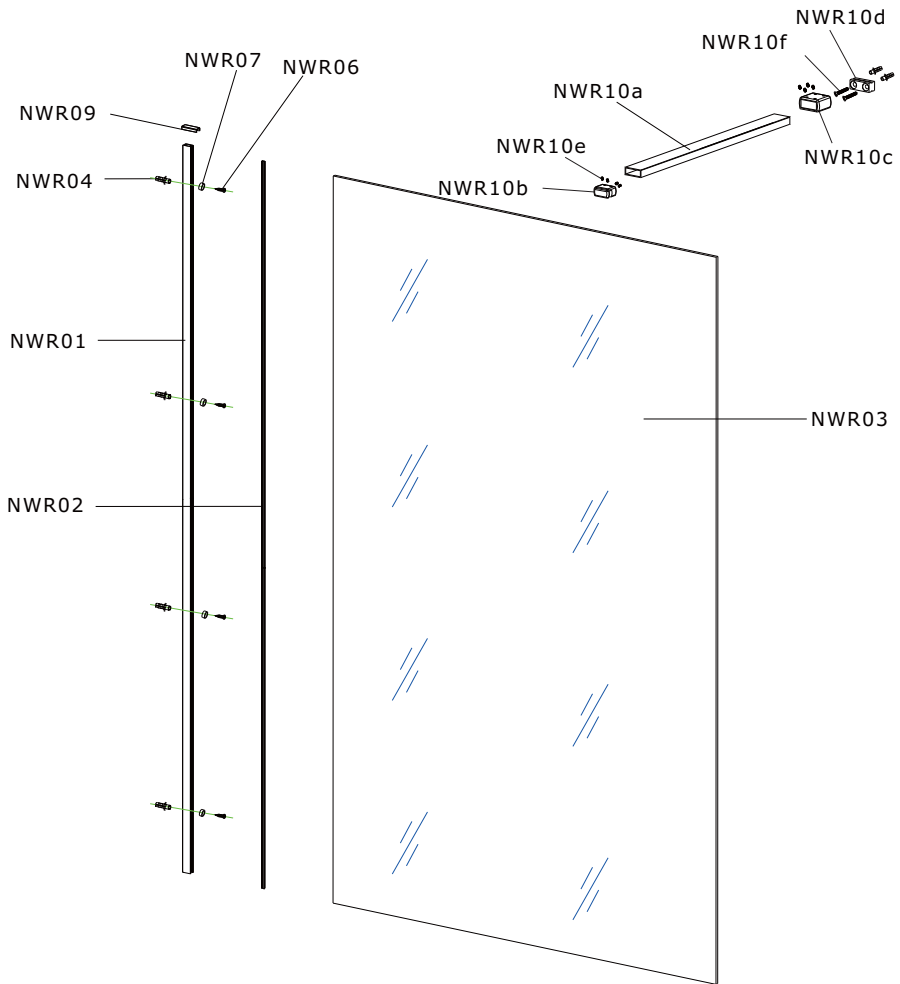
1200mm Modular Glass Panel - adjustment = 1180 - 1190mm

1400mm Modular Glass Panel - adjustment = 1380 - 1390mm





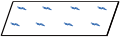


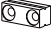







## GENERAL SAFETY INSTRUCTIONS

- Do not fix the wall profile to newly plastered, painted or papered walls as chemical reaction may cause discolouration to the surface finish.
- Important: The wall plugs included in this pack are for solid walls only. If the product is to be mounted on a partition or stud wall, specialised fixings should be purchased separately.
- Fixing tips; A piece of insulating tape or a couple of layers of masking tape applied to the wall before marking out the fixing holes will help stop the drill from wandering, particularly on tiled surfaces.
- When working near a basin or bath insert the plug into the waste, this will help you avoid losing small parts. Also take care not to drop accessories or tools onto the bath or basin, use a towel or bathmat to protect delicate surfaces.
- CAUTION!  
Before drilling into any walls check that there are no hidden cables or pipes. Exercise great care when using power tools near water. The use of a residual current device (RCD) or cordless drill is recommended. Always double check the positioning and measurements before drilling holes.
- This product is heavy and requires two people during lifting and operations.
- Glass is delicate, support on cardboard to minimise risk of damage.











# IDENTIFICATION OF PARTS



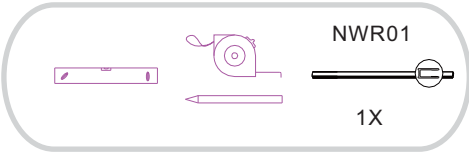
## Fixings & fittings supplied

Item No.:	Part	Quantity	Item No.:	Part	Quantity
NWR01		X 1	NWR10a		X 1
NWR02		X 1	NWR10b		X 1
NWR03		X 1	NWR10c		X 1
NWR04		X 6	NWR10d		X 1
NWR06	 ST4X40	X 4	NWR10e		X 8
NWR07		X 4	NWR10f	 ST4X30	X 2
NWR08		X 1	NWR11	 2.5	X 1
NWR09		X 1			

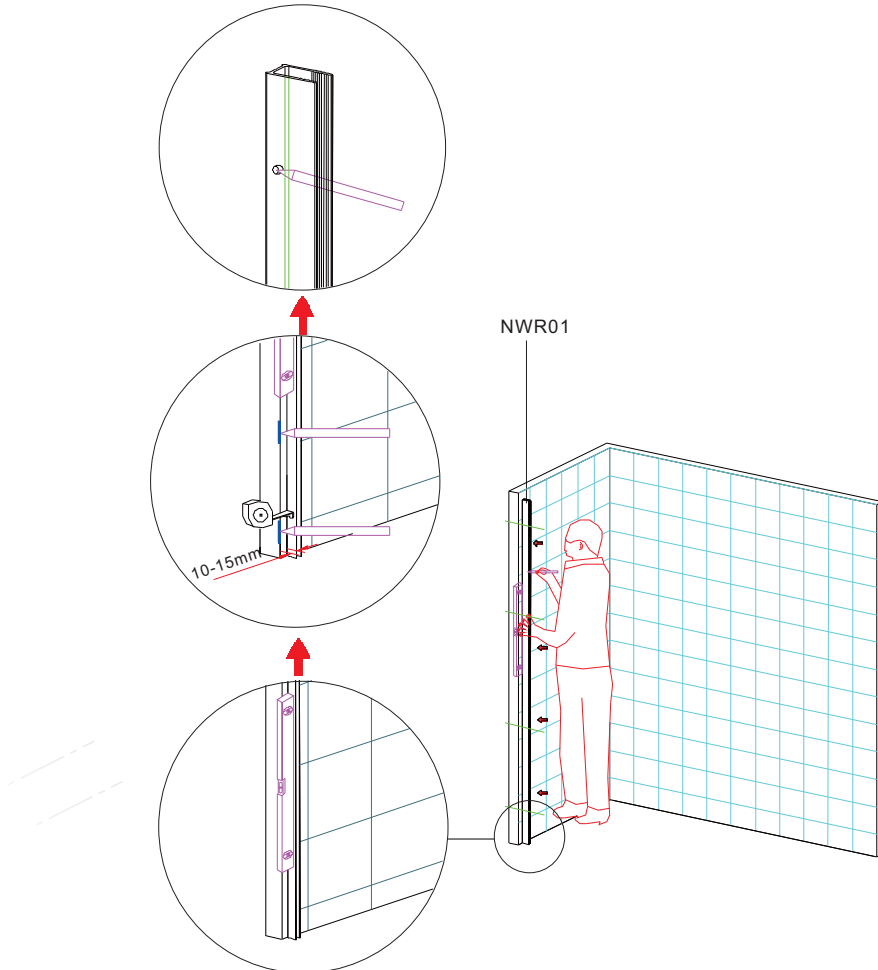
## Tools required (not supplied)

Electric drill		tape measure	
drill(Ø3.2mm)		rubber hammer	
drill(Ø6mm)		knife	
cross tip screw driver		pencil	
spirit level		silicone sealant	

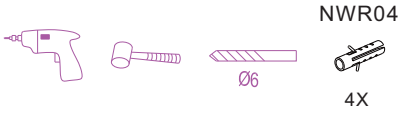
# ① ASSEMBLY INSTRUCTIONS



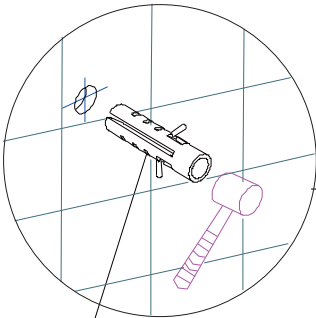
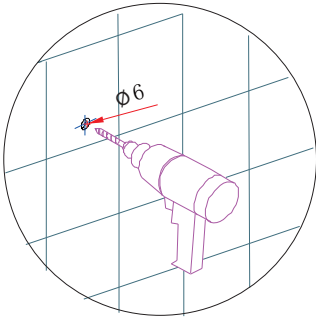
- Put the wall profile(NWR01) against the wall and ensure it is vertical using a spirit level.
- Mark the holes on the wall.



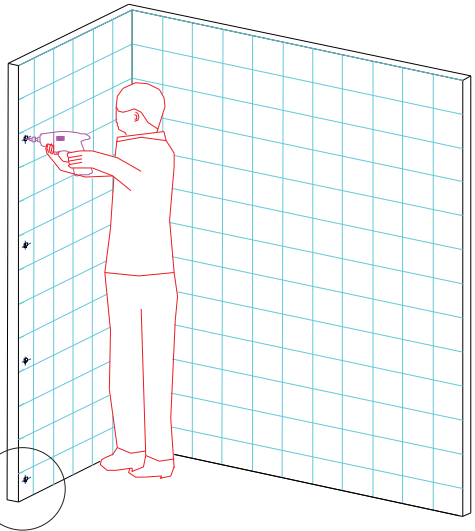
## ② ASSEMBLY INSTRUCTIONS



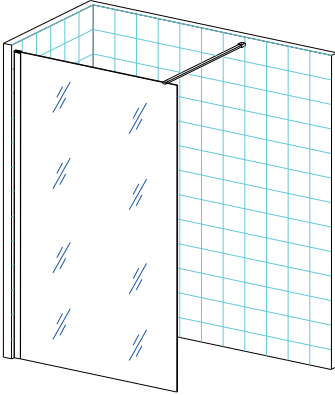
- Drill the holes(Ø6mm) according to the marks and insert the wall plugs(NWR04) into the holes.



NWR05



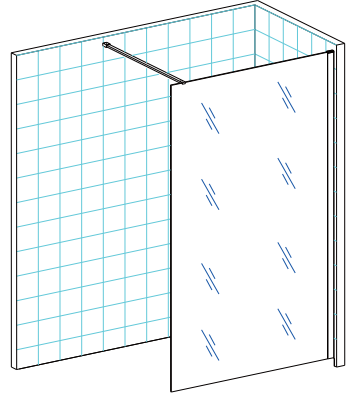
### ③ ASSEMBLY INSTRUCTIONS



**LH**



For left hand version application  
please proceed to page 7.



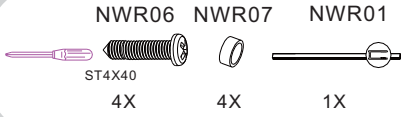
**RH**



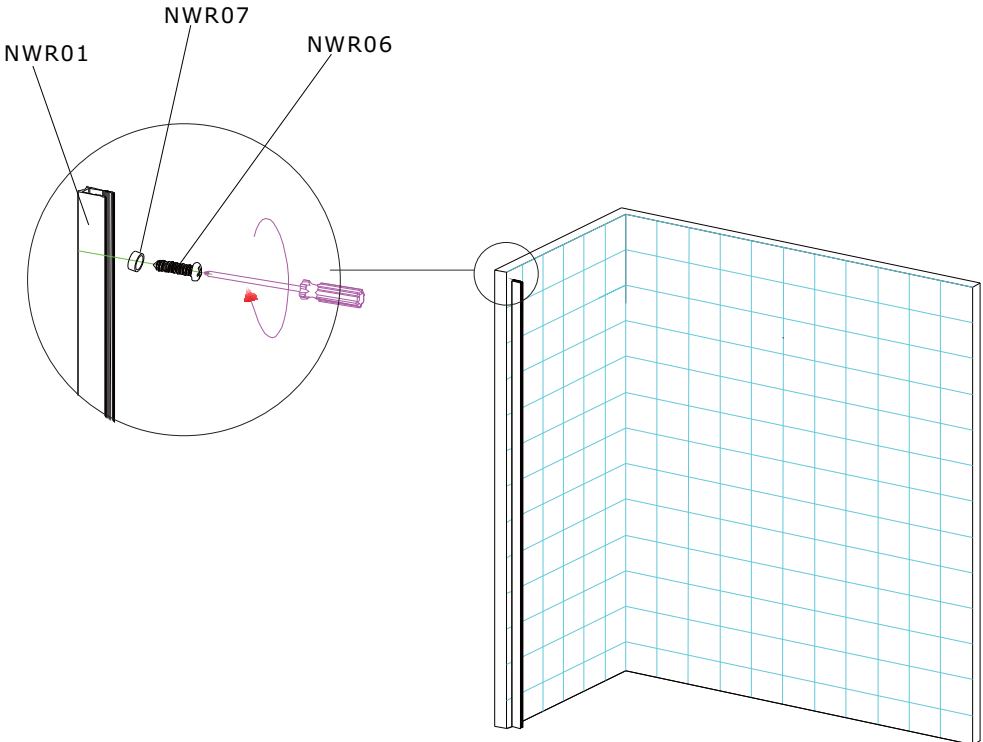
For right hand version application  
please proceed to page 12.

# ④ ASSEMBLY INSTRUCTIONS

## LH side

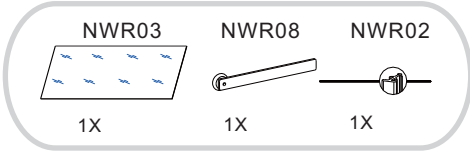


- Fasten wall profile(NWR01) on the wall with screw(NWR06) and washer(NWR11).

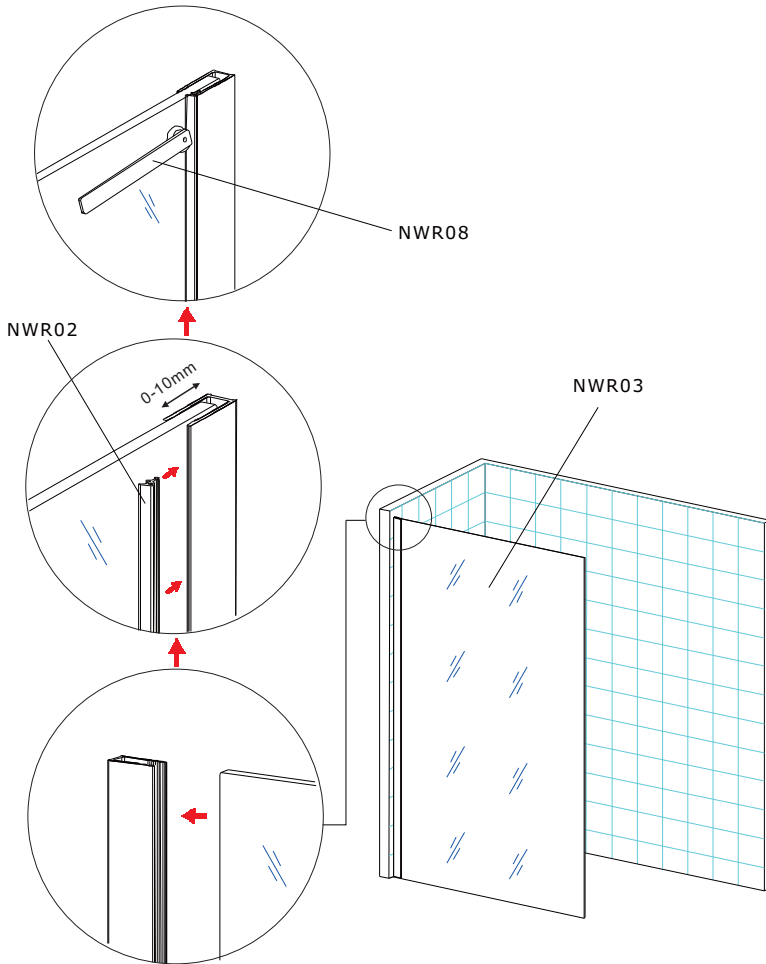




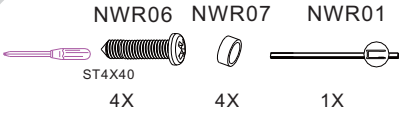
# ⑤ ASSEMBLY INSTRUCTIONS



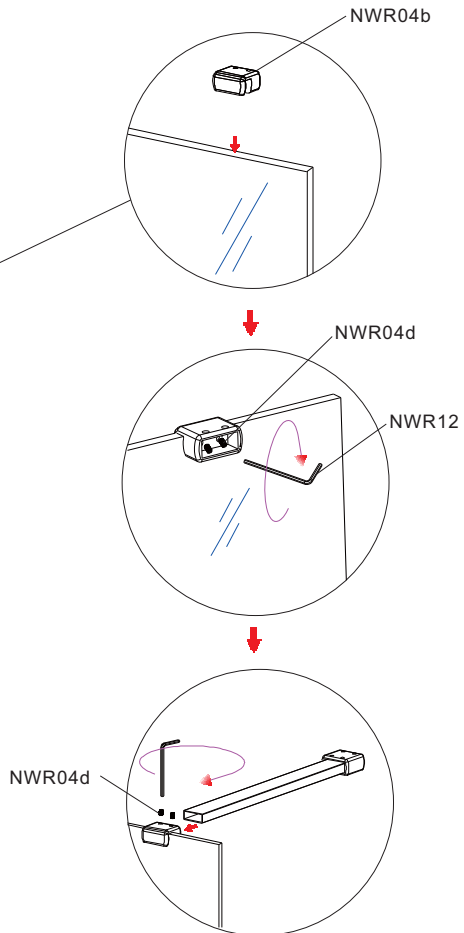
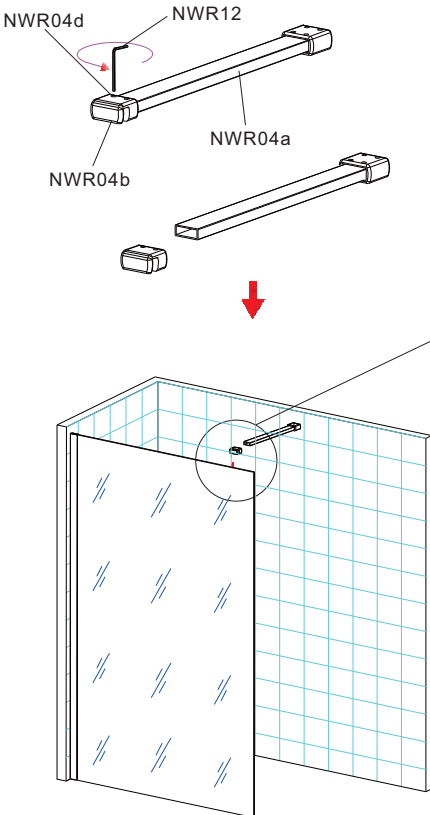
- Insert front panel(NWR03) into the wall profile (NWR01).
- Insert single blade sealer(NWR02) from inside of cubicle between wall profile and glass panel with insertion tool(NWR08).



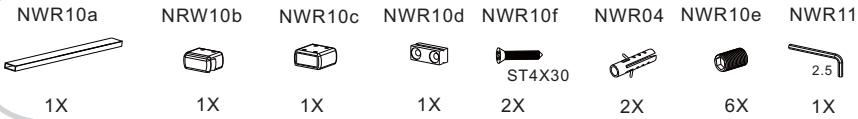
# ⑥ ASSEMBLY INSTRUCTIONS



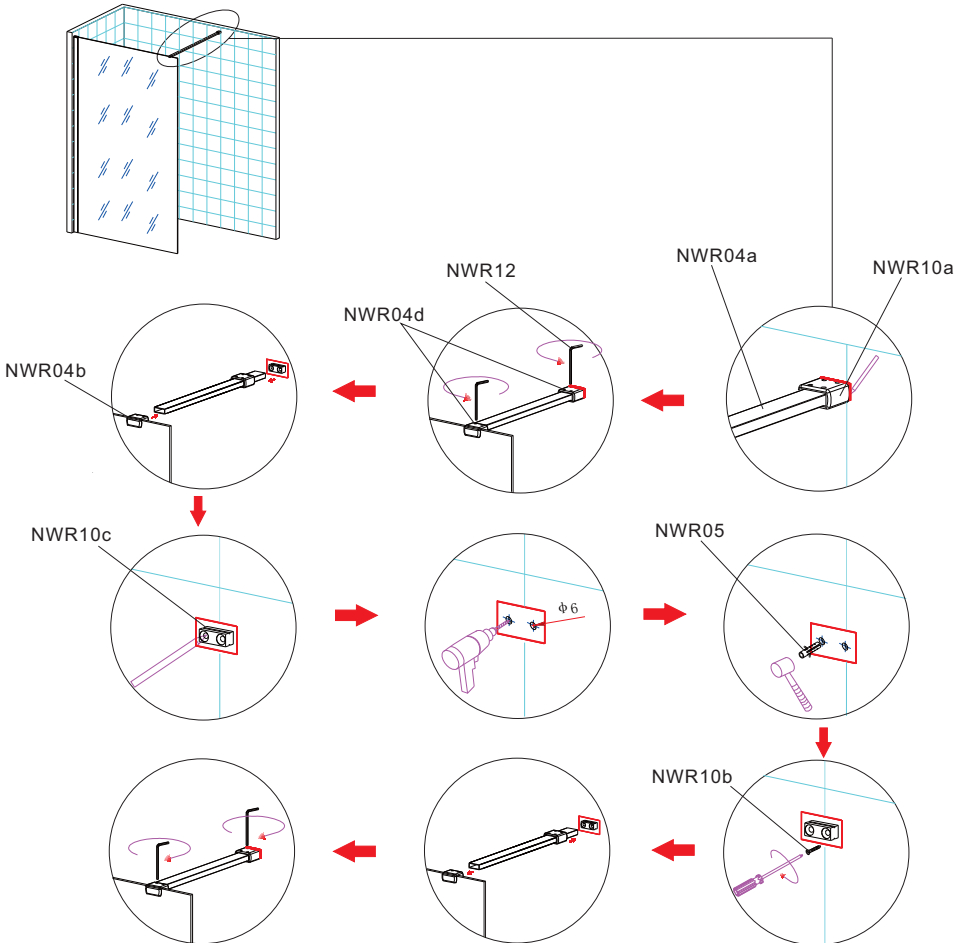
- Separate the clipper bracket(NWR04b) from the support bar(NWR04a) by loosening screw (NWR04d) with hex key(NWR12).
- Put the clipper bracket(NWR04b) on the glass top edge and fasten it on the glass panel by screw NWR04d with hex key(NWR12).
- Insert the support bar(NWR04a) into clipper bracket and fasten screw(NWR04d) with hex key(NWR12).



# ⑦ ASSEMBLY INSTRUCTIONS



- Mark the position of wall bracket on the wall.
- Loosen the screws(NWR10e) by hex key(NWR11), take off the support bar(NWR10a) off the clipper bracket(NWR10b) and wall bracket seat(NWR10d).
- Mark the hole position. Drill the hole and insert the wall plug(NWR04) into the hole.
- Fix wall bracket seat(NWR10d) on the wall with screw(NWR10f).
- Insert the bar into the clipper bracket(NWR10b) and wall bracket seat(NWR10d), fasten screw(NWR10e) with hex key(NWR11).



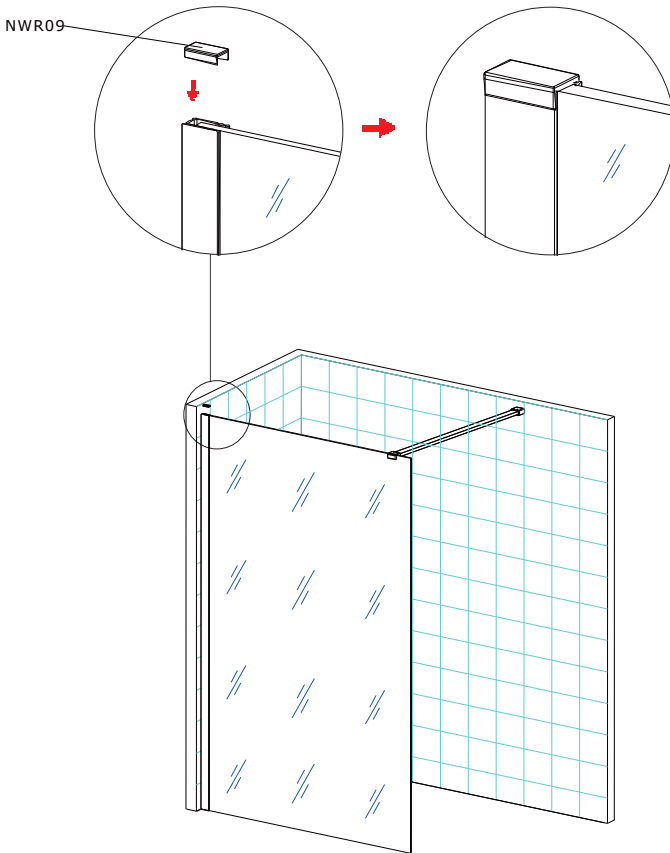
## ⑧ ASSEMBLY INSTRUCTIONS

NWR09



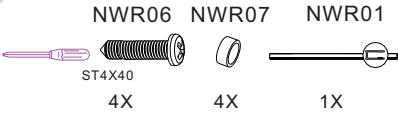
1X

- Put top cover(NWR09) on top of wall profile.

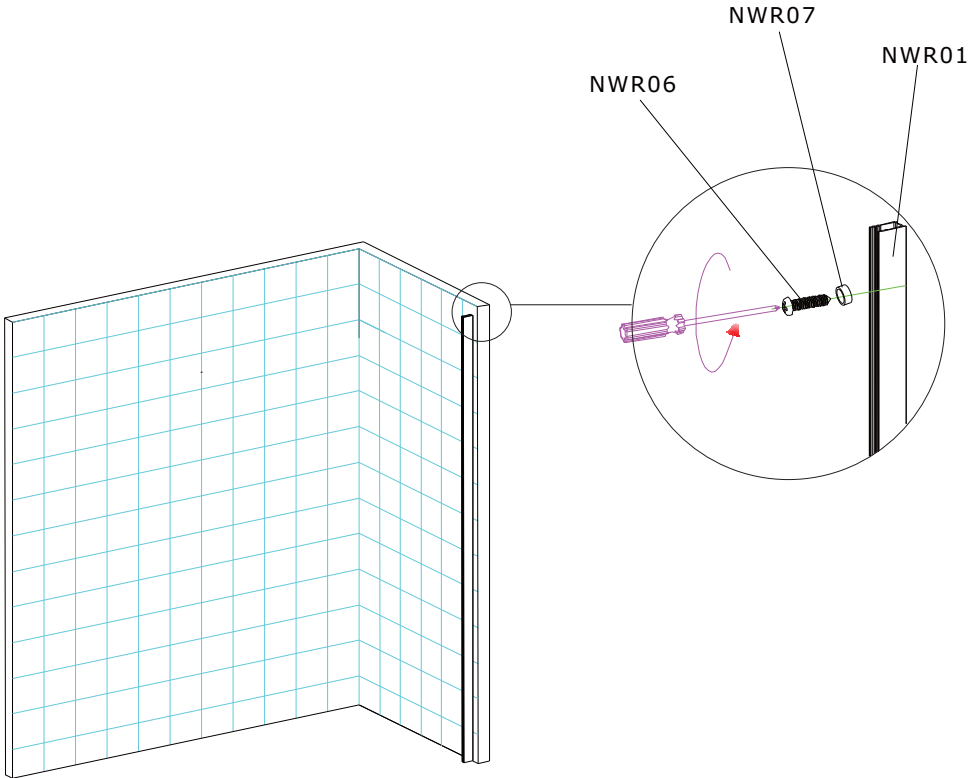


# ④ ASSEMBLY INSTRUCTIONS

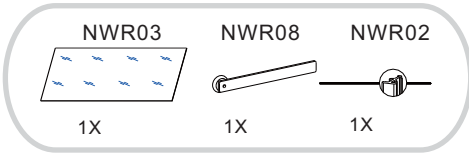
RH side



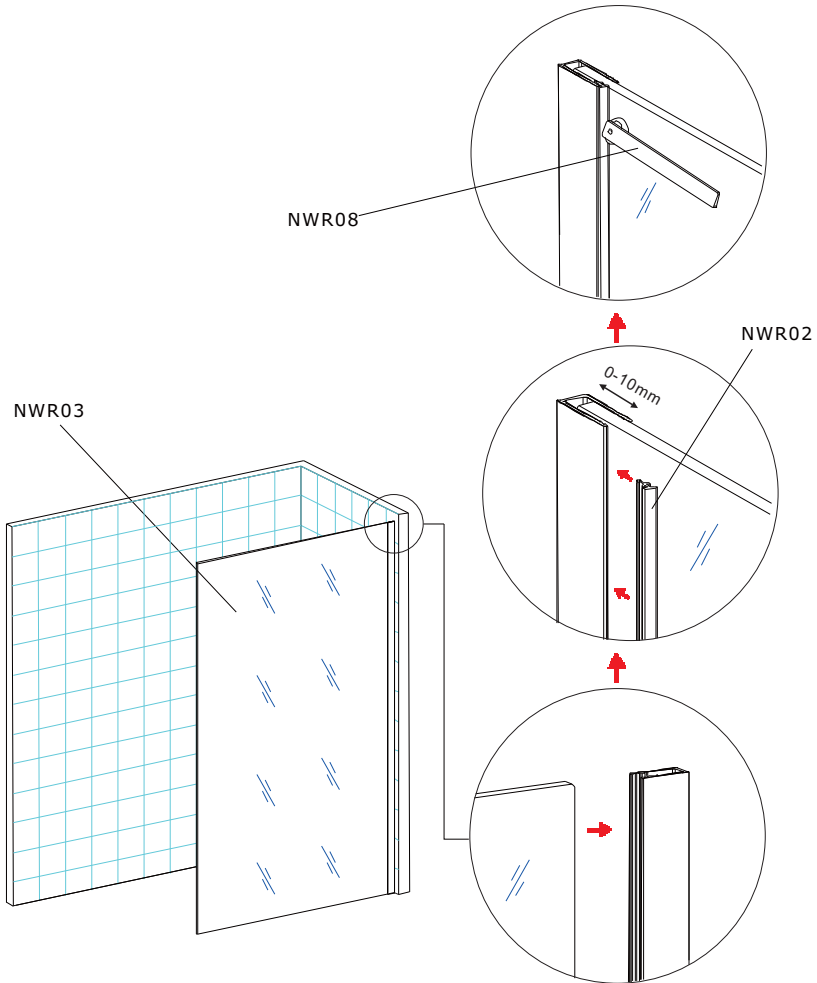
- Fasten wall profile(NWR01) on the wall with screw(NWR06) and washer(NWR11).



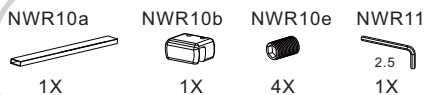
# ⑤ ASSEMBLY INSTRUCTIONS



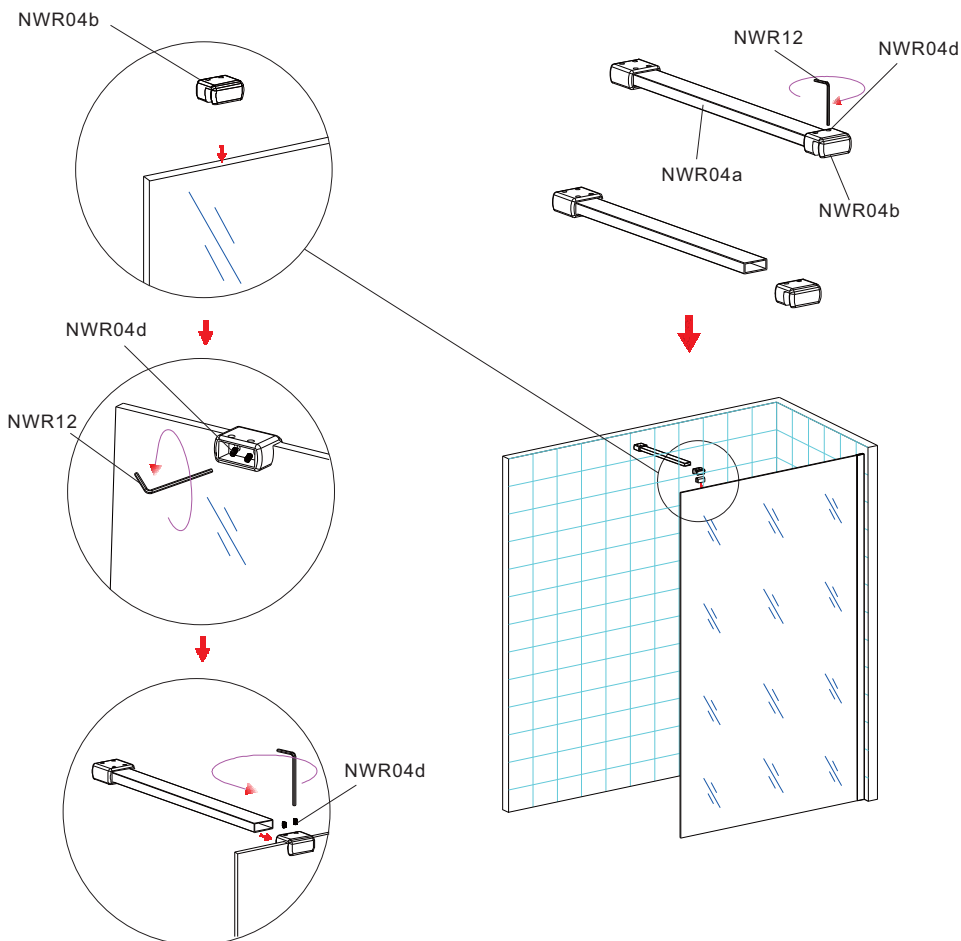
- Insert front panel(NWR03) into the wall profile (NWR01).
- Insert single blade sealer(NWR02) from inside of cubicle between wall profile and glass panel with insertion tool(NWR08).



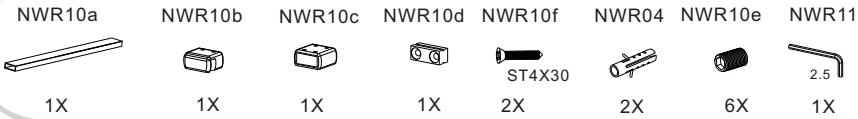
## ⑥ ASSEMBLY INSTRUCTIONS



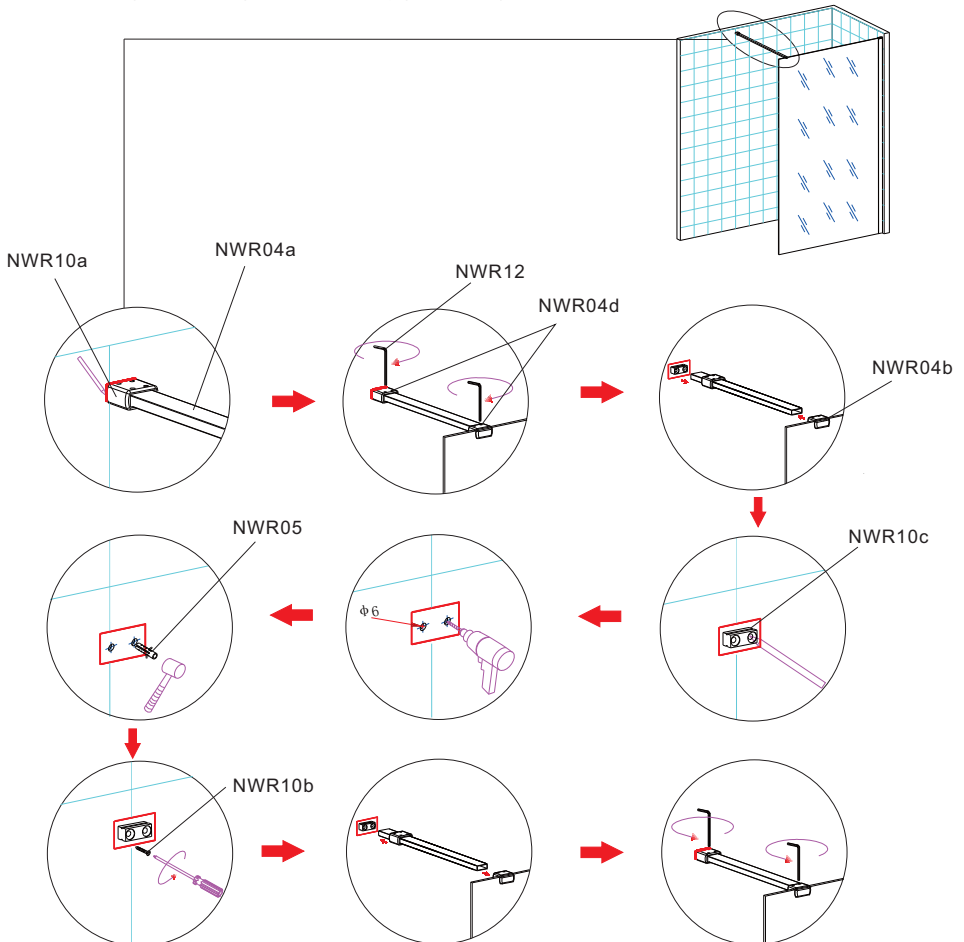
- Separate the clipper bracket(NWR10b) from the support bar(NWR10a) by loosening screw (NWR10e) with hex key(NWR11).
- Put the clipper bracket(NWR10b) on the glass top edge and fasten it by screw(NWR10e) with hex key(NWR11).
- Insert the support bar(NWR10a) into clipper bracket and fasten screw(NWR10e) with hex key(NWR11).



# ⑦ ASSEMBLY INSTRUCTIONS



- Mark the position of wall bracket on the wall.
- Loosen the screws(NWR10e) by hex key(NWR11), take off the support bar(NWR10a) off the clipper bracket(NWR10b) and wall bracket seat(NWR10d).
- Mark the hole position. Drill the hole and insert the wall plug(NWR04) into the hole.
- Fix wall bracket seat(NWR10d) on the wall with screw(NWR10f).
- Insert the bar into the clipper bracket(NWR10b) and wall bracket seat(NWR10d), fasten screw(NWR10e) with hex key(NWR11).





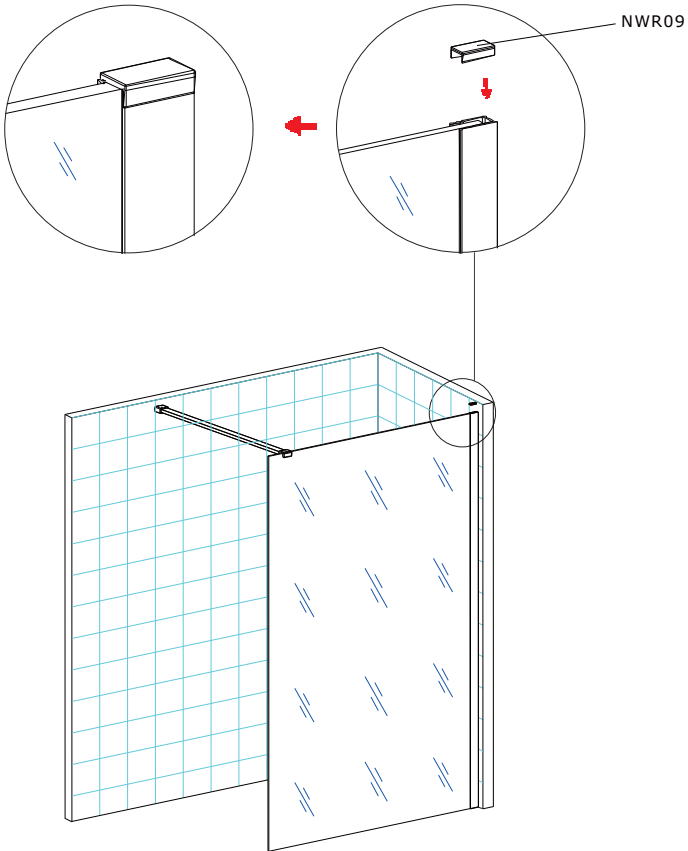
## ⑧ ASSEMBLY INSTRUCTIONS

NWR09



1X

- Put top cover(NWR09) on top of wall profile.

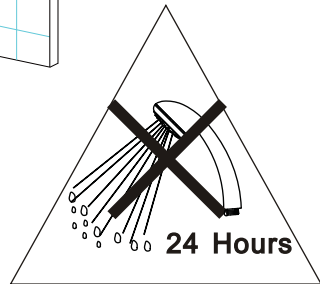
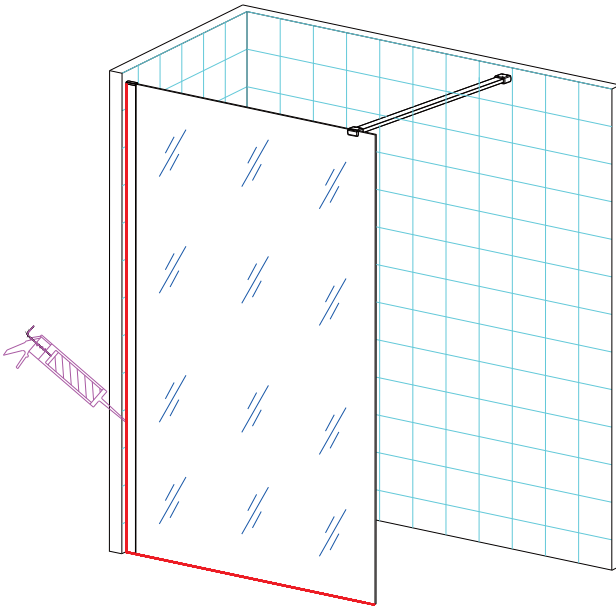


## 9 ASSEMBLY INSTRUCTIONS



- Apply silicone sealant to the outside of the enclosure.

Please note: Do not apply silicone sealant to the inside of the enclosure.



### **Cleaning and Maintenance:**

Please do not use abrasive or strong cleaning solutions on the shower enclosure, such as alcohol, petroleum liquids or any other chemical cleaner.

Should there be any dirty stains on the shower enclosure, please clean it with a soft lint free cloth and warm soapy water. Please rinse it with clean water afterwards.

Sealant drying times may vary in cold damp conditions and will be extended where thicker beads of sealant are applied. Allow sealant to dry completely before exposing to water.

We have taken great care to ensure that this product reaches you in perfect condition. However should any parts be damaged or missing please contact your point of purchase. This does not affect your statutory rights. In addition if you require replacement parts your point of purchase will be happy to assist.

For information and support phone:0845 47024 27