

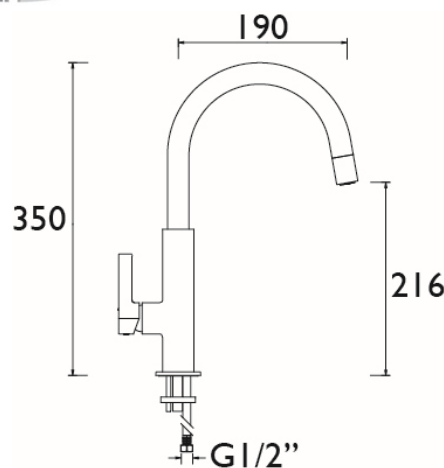
TECHNICAL DATA SHEET



MELBA Sink Mixer

Product Specification

Product Codes & Finishes:	MLB SNK BLK (Chrome & Black) MLB SNK WHT (Chrome & White)
Product Type:	Contemporary
Construction:	Body is of brass construction and is designed to conform to BS EN 200
Cartridge Type:	25mm Cartridge
Supply:	Suitable for high pressure plumbing systems
Inlet:	M10 x 1/2" BSP Flexible Tails
Working Pressures:	Min 1.0bar, Max 5.0bar



Additional Information

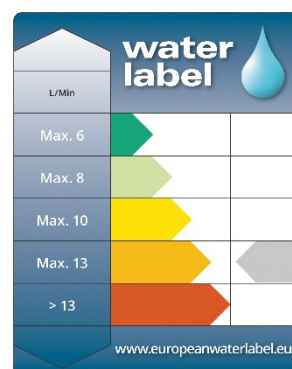
- Supplied with flexible connecting pipes.
- Chrome plated to BS EN 248
- Supplied with metal handle.

Flow Rates (litres per minute)

System Pressure	1.0bar	2.0bar	3.0bar	4.0bar	5.0 bar
MLB SNK BLK-WHT (Mixed)	7.4	10.6	12.9	15.3	17.1

Technical Advice: For further information please call 0844 7016273 or email customercare@bristan.com

Guarantee: 5 years covering manufacturing faults



Bristan, Birch Coppice Business Park, Dordon, Tamworth, B78 1SG
Telephone: 0844 701 6274 Facsimile: 0844 701 6275
Web Site: www.bristan.com Email: enquire@bristan.com



The information contained on this page was correct at date of issue. Fitting dimensions are provided as a guide only. Some variation may occur due to manufacturing tolerances. Bristan pursues a policy of continuing improvement in design and performance of its products and so reserves the right to change specifications without prior notice.