

Z2 1/2 C

COMMERCIAL Tap Range Single Basin Soft Touch Timed Flow Tap Chrome



Features:

- Timed shut off to meet BS EN 816
- Soft touch easy to use mechanism
- Supplied with both hot and cold indices
- Supplied with 5 L/min flow regulator
- Operates at a minimum pressure of 0.5 bar

Product Certifications:



WRAS Cert. No.: 1401911
WRAS Expiry Date: 31/01/2019



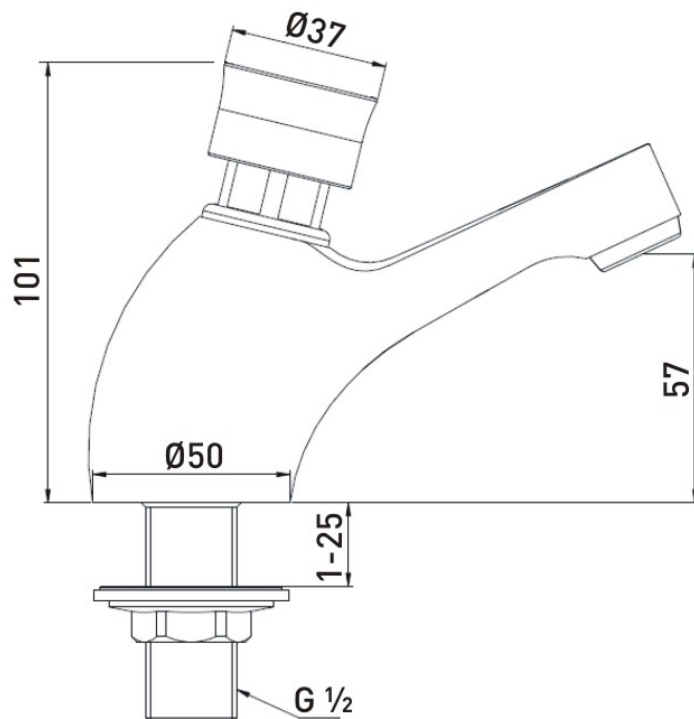
For more products, visit our website:
<http://www.bristan.com>



Specification

Product Type:	Bathroom Taps
Main Construction Material:	Brass
Mount Type:	Deck Mounted
Handle Type:	Push button
Connection Inlet:	1/2" BSP
Connection Outlet:	Open
Number of Tap Holes:	1
Valve/Cartridge Type:	Self Closing Valve
Plumbing System Requirements:	All - Ideally Balanced
Working Pressure Range:	Min. 0.5 Bar, Max. 5.0 Bar
Maximum Hot Water Temperature: °C	65
Maximum Static Pressure: (bar)	10
Flow Type:	Single Flow
Isolation Included:	No

Dimensions (measurements in mm)



Flow Rates (l/min)

System Pressure (bar)	0.2	0.5	1	2	3	5
Z2 1/2 C	0.5	14	21	29	34	44

TECHNICAL
DATA
SHEET



BRISTAN
TAPS & SHOWERS

D11