

OP TS1503 CL C

COMMERCIAL Shower Range TS1503 Opac Lever Concealed Shower Valve



Features:

- Anti-vandal stainless steel removable concealing plate
- Easy access self-isolating serviceable filters
- Single sequential control for both temp and flow
- High performance even at low pressures
- Check valves and serviceable filters as standard

Product Certifications:



Expiry Date : 30/12/2023
Cert Number : 1812703



Cert Number : NSF2014/0718
Expiry Date : 06/07/2023



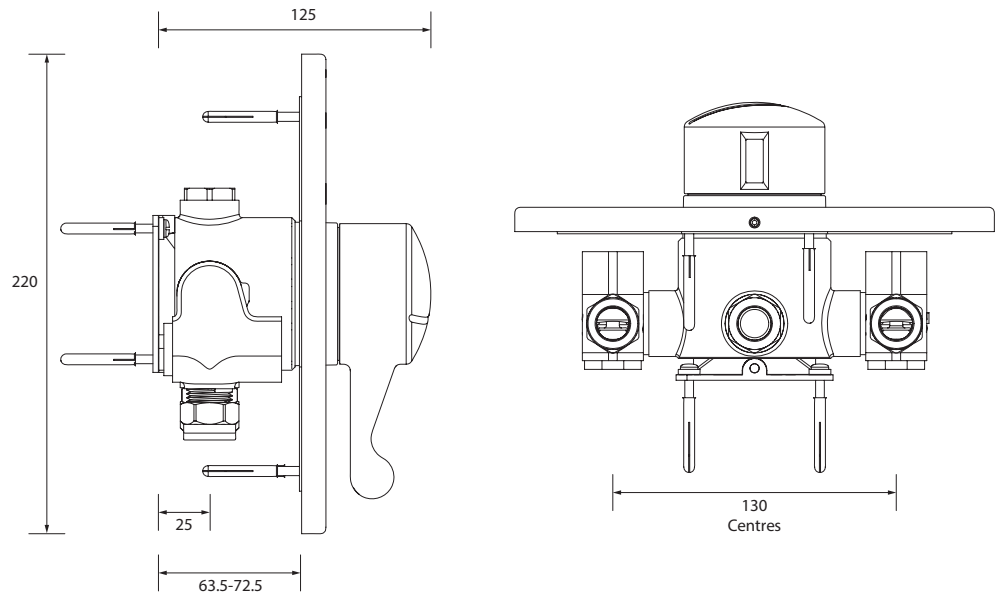
For more products, visit our website:
<http://www.bristan.com>



Specification

Finish/Colour:	Chrome
Main Construction Material:	Brass
No of Controls:	1
Shower Type:	Concealed Lever Shower
Shower Head Type:	N/A
Valve/Cartridge Type:	Thermostatic
Maximum Hot Water Supply Temperature	80
Maximum Static Pressure: (bar)	8
Plumbing System Suitability:	All, Preferably Balanced
Working Pressure Range: bar	0.2-5
Connection Inlet:	15mm Compression Elbows
Connection Outlet:	1/2" BSP
Isolation Valve Included:	No
Check Valve Included:	Yes

Dimensions (measurements in mm)



Flow Rates (l/min)

System Pressure (bar)	0.2	0.5	1	2	3	5
Flow Limiters Fitted	4.6	6.8	7.1	8.1	8.6	9.0

TECHNICAL
DATA
SHEET



BRISTAN
TAPS & SHOWERS

D3