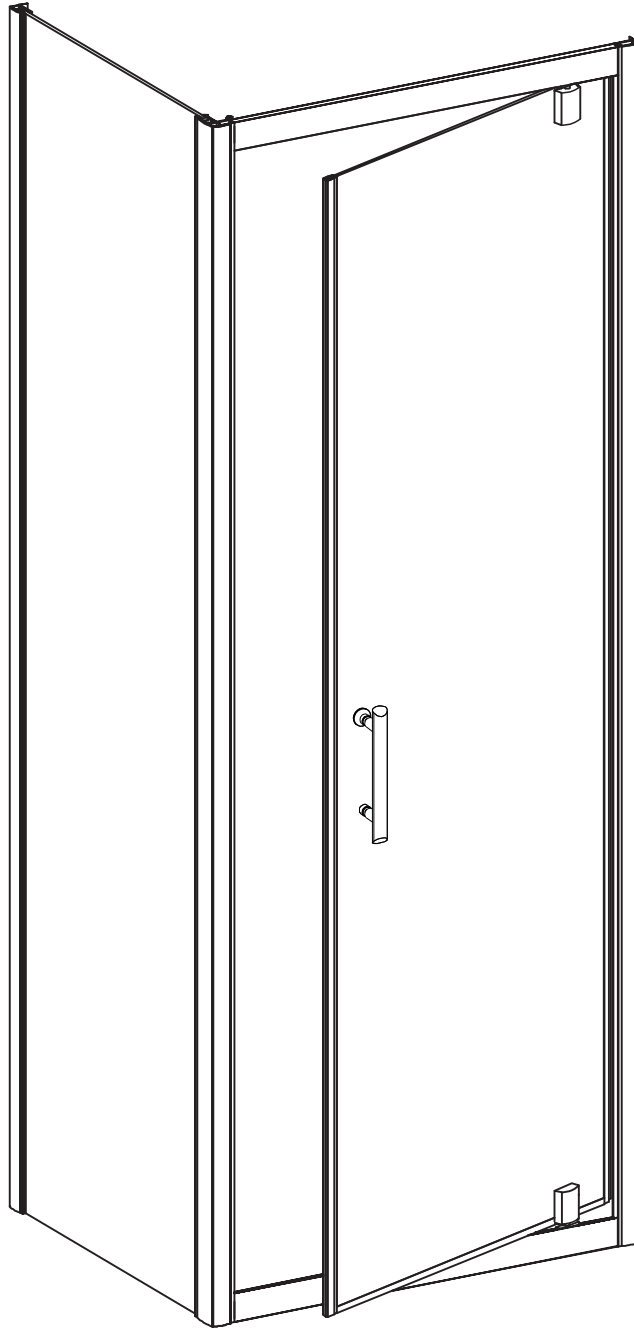


# 6mm PIVOT DOOR

Refer To Sheet 10 For Relevant Product Codes



Decide which hand is required. Right hand opening illustrated.  
Change the hand by turning the door upside down.

## BEFORE YOU START, HERE IS SOME IMPORTANT INFORMATION

### 1) General Information

Please inspect this product upon delivery, any missing parts or manufacturing defects must be reported immediately to the supplier. Damage or defects reported later will not be accepted. **TAKE CARE WHEN HANDLING GLASS PARTS - AVOID HEAVY CONTACT BETWEEN THE GLASS EDGES AND ANY HARD SURFACE.**

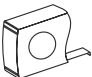


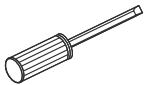

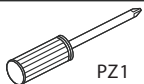
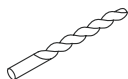
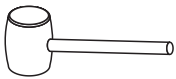
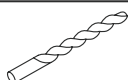

Glass breakage claims will not be accepted after the product has been unpacked.


Please note: Aluminium is a soft metal, and undergoes a series of extrusion, fabrication, polishing and anodising processes in order to create your finished shower enclosure. Some light surface marks are normal, and is a result of the manufacturing processes. Quality control has ensured that this item is of a good standard, and is fit for purpose.

### 2) Additional Notes

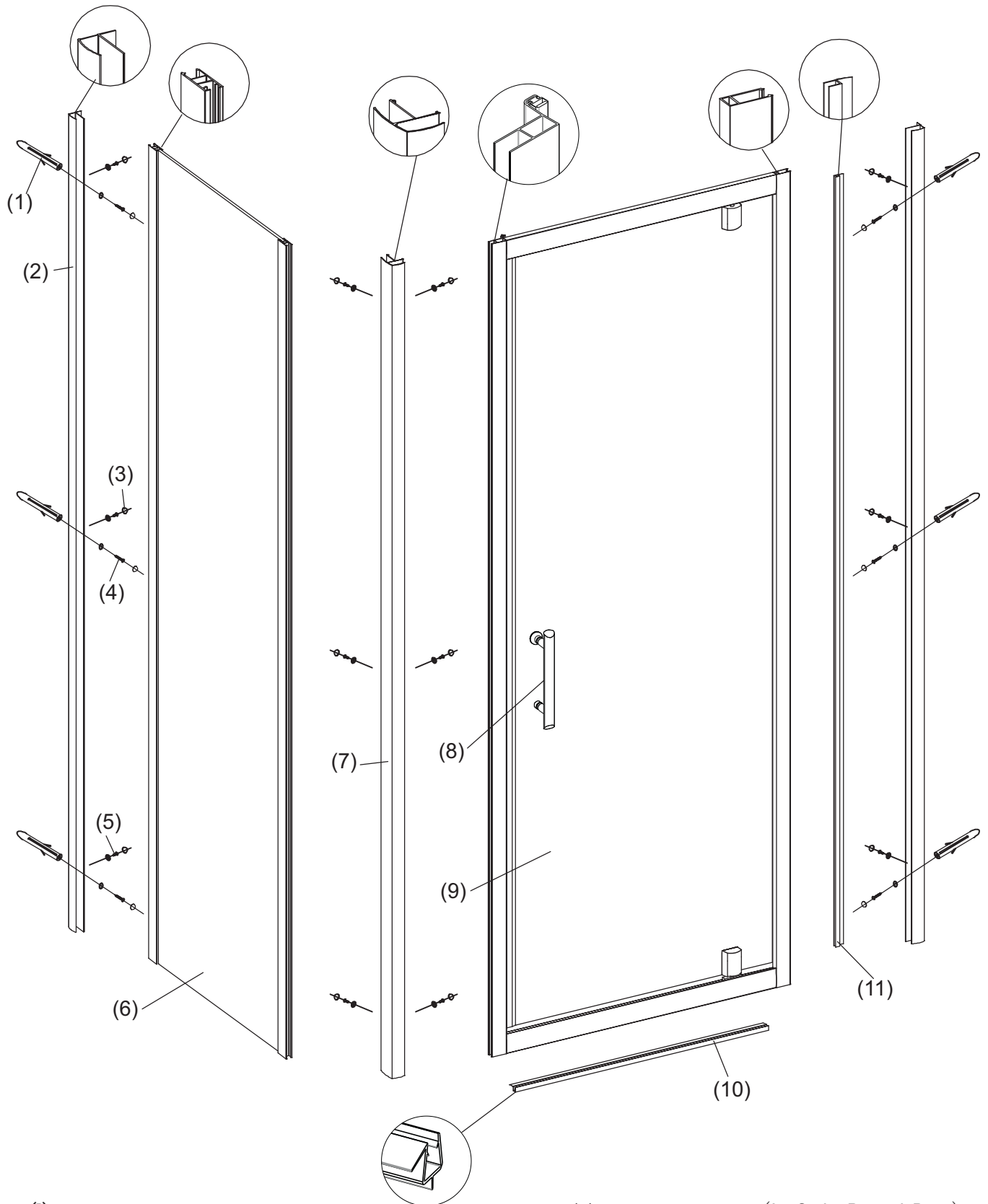
Please read these instructions carefully before starting installation. Special care should be taken when drilling walls to avoid hidden pipes or electrical cables. Note: this product is heavy and may require two people to install.

## TOOLS REQUIRED

| DESCRIPTION    | PART IMAGE  | DESCRIPTION            | PART IMAGE  |
|----------------|---|------------------------|---|
| Tape measure   |  | Drill                  |  |
| Spirit level   |  | Flat-head Screwdriver  |  |
| Pencil         |  | Cross head Screwdriver |  |
| Ø6mm Drill bit |  | Mallet                 |  |
| Ø3mm Drill bit |  | Silicone Sealant       |  |

 This product is heavy and may require two people to install.

# ASSEMBLY INSTRUCTIONS - DRAWING + SIDE PANEL



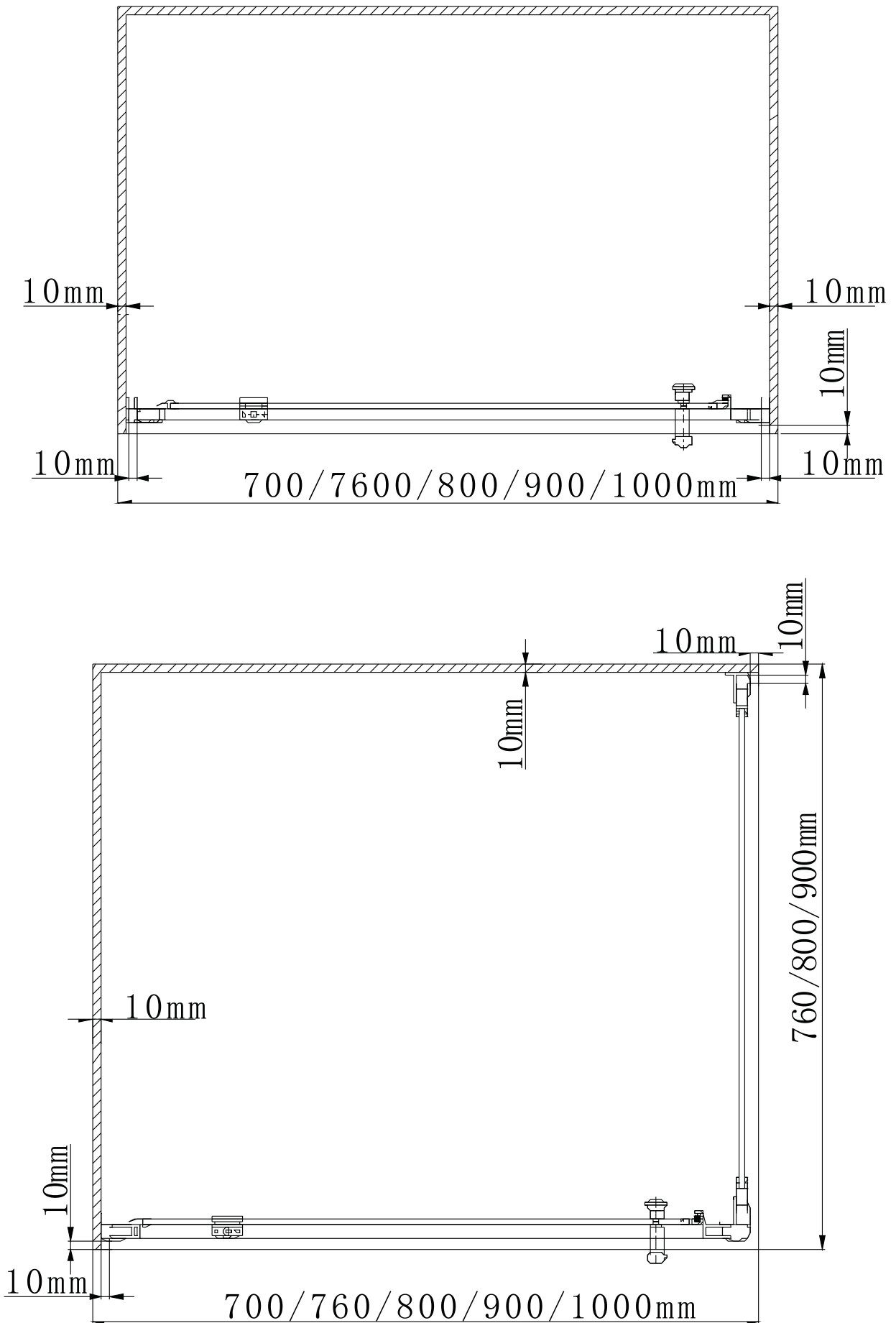
- (1) 6x Wall Plugs
- (2) 2x Wall Posts
- (3) 18x Screw Cover Caps  
(12 For Door , 6 For Side Panel )
- (4) 6x Screws M4x30
- (5) 12x Screws M4x12
- (6) 1x Fixed Side Panel (In Side Panel Box)

- (7) 1 x Corner Post (In Side Panel Box)
- (8) 1 x Handle (Supplied Separately)
- (9) 1 x Glass Pivot Door
- (10) 1 x Bottom Water Deflector
- (11) 1 x Side Water Deflector

# ASSEMBLY INSTRUCTIONS

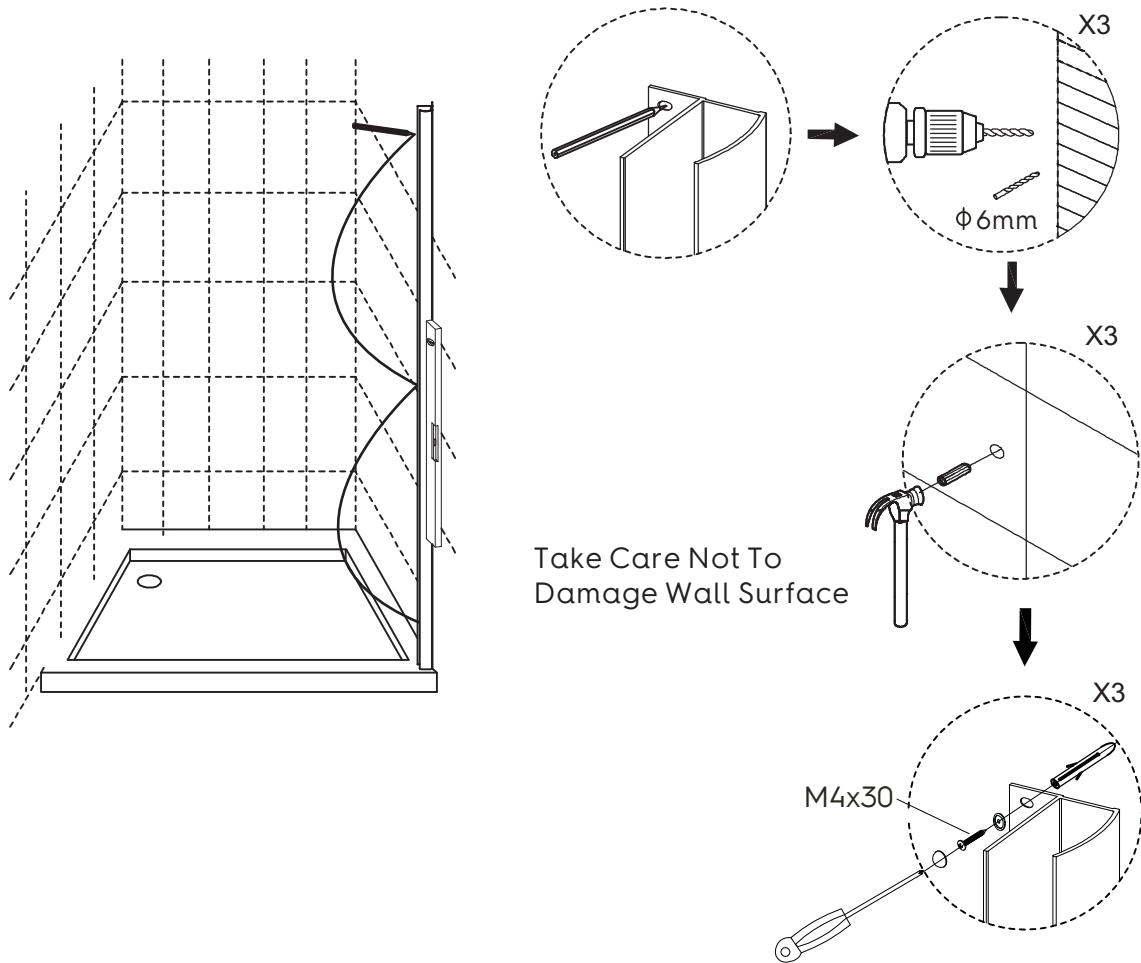
If you require help, we advise you to contact a competent plumber Installation Steps.

## FITTED PIVOT DOOR DRAWING

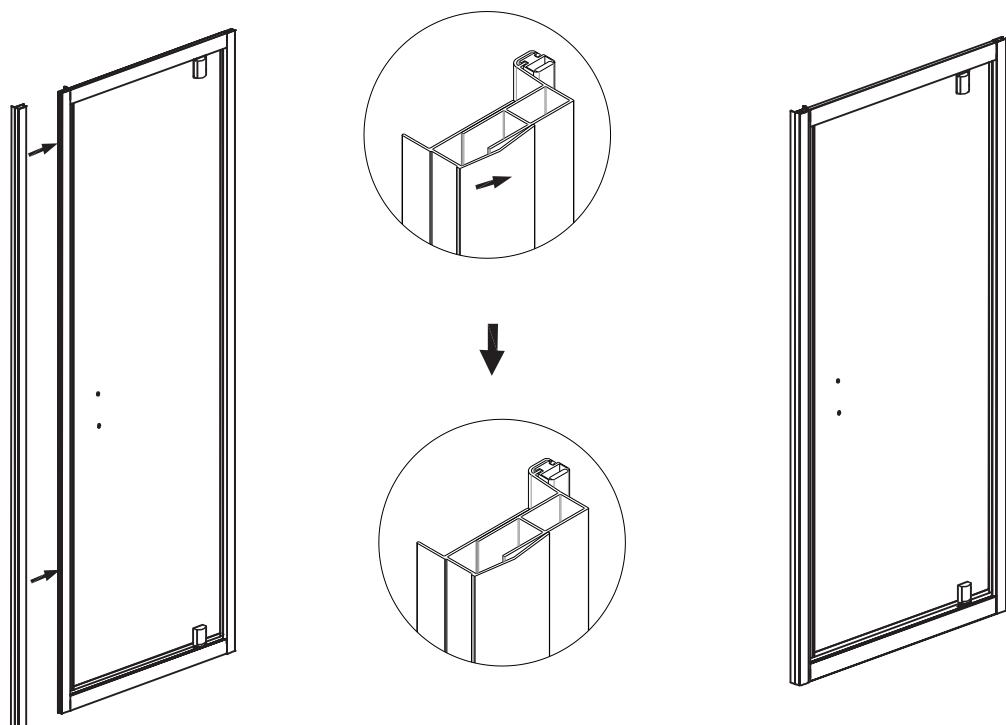


Step 1 MARK WALL FIXING POSITIONS AND DRILL WALL HOLE

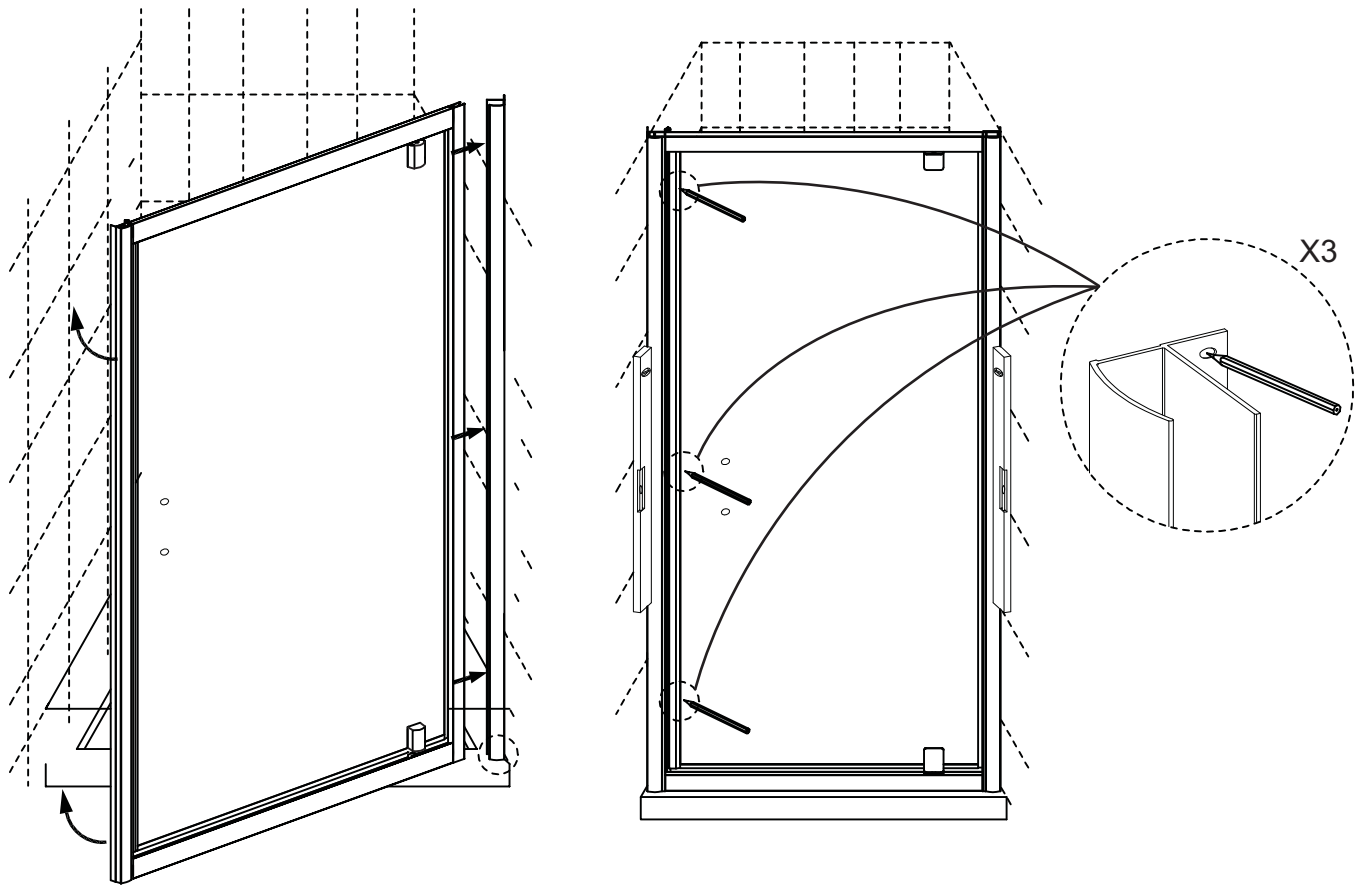
MAKE SURE THE TRAY IS LEVEL, USING A SPIRIT LEVEL, BEFORE INSTALLING THIS SHOWER PANEL / DOOR.



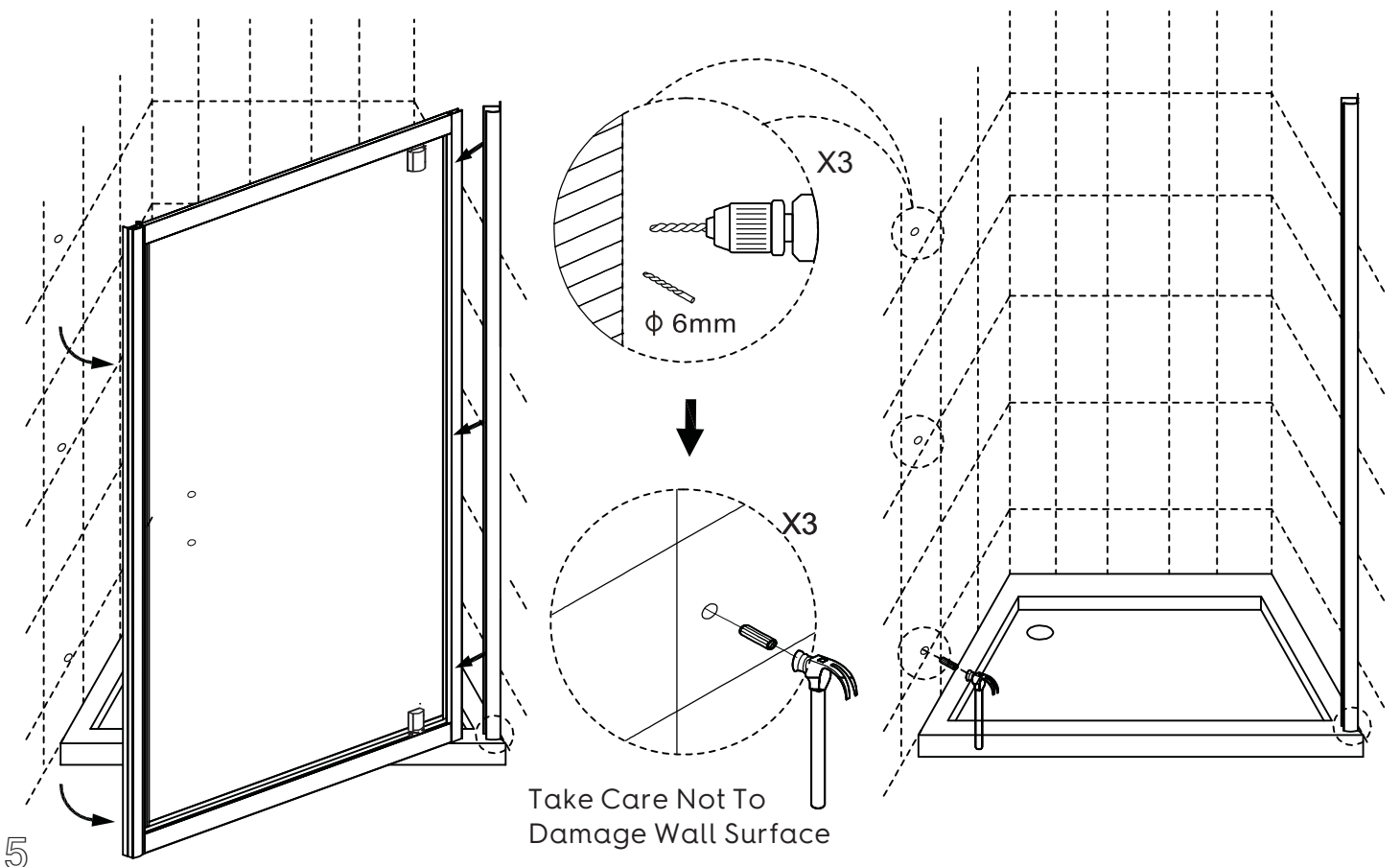
Step 2 SLIDE WALL PROFILE ON TO UPRIGHT PROFILE



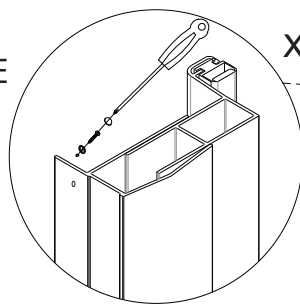
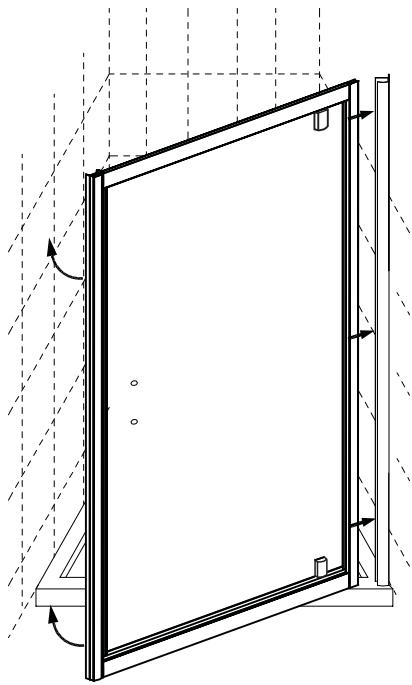
### Step 3 MARK WALL FIXING POSITIONS



### Step 4 DRILL WALL HOLE

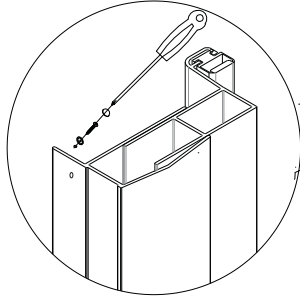


**Step 5 SCREW THE WALL PROFILE TO THE WALL**



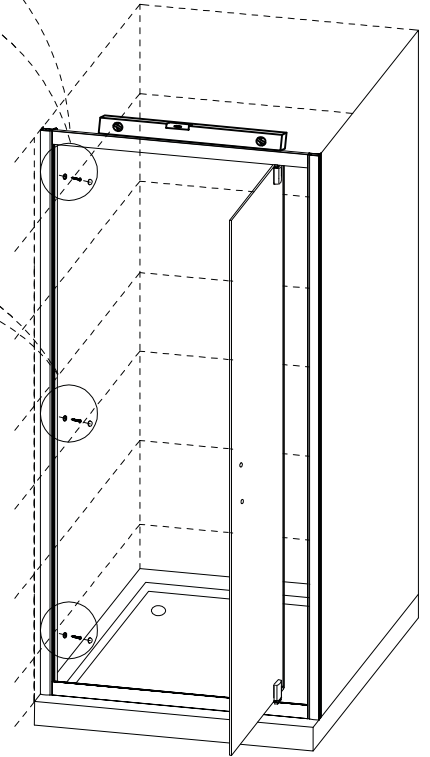
X3

view from inside



X3

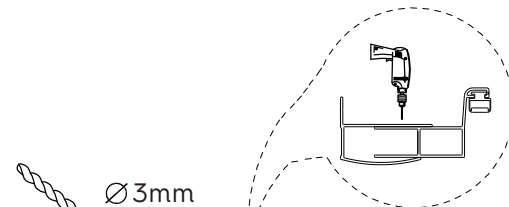
view from outside



⚠ Adjust the door so to be central between the wall profiles.

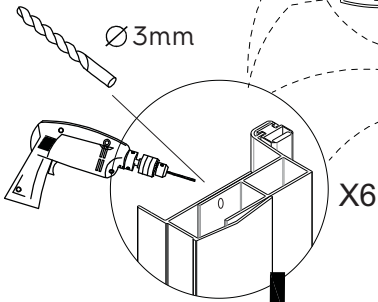
⚠ Take care not to drill to the glass

**Step 6 SCREW MAGNET PROFILE TO WALL PROFILE**

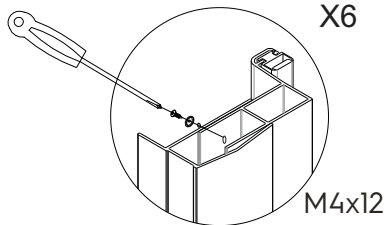


Ø3mm

X3

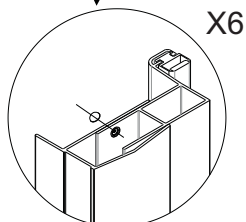


X6



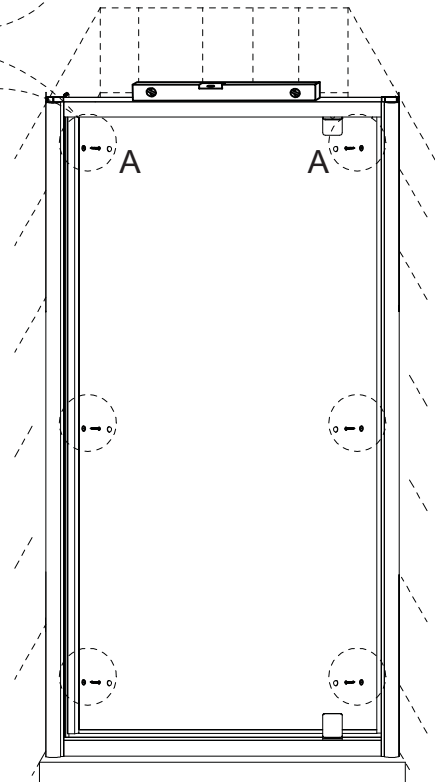
X6

M4x12



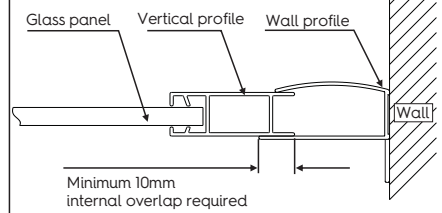
X6

View from inside

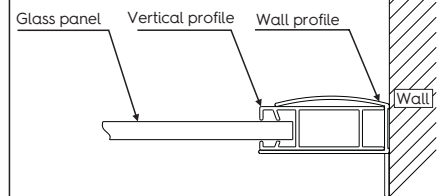


**How to adjust the width of the pivot door**

Maximum adjustment

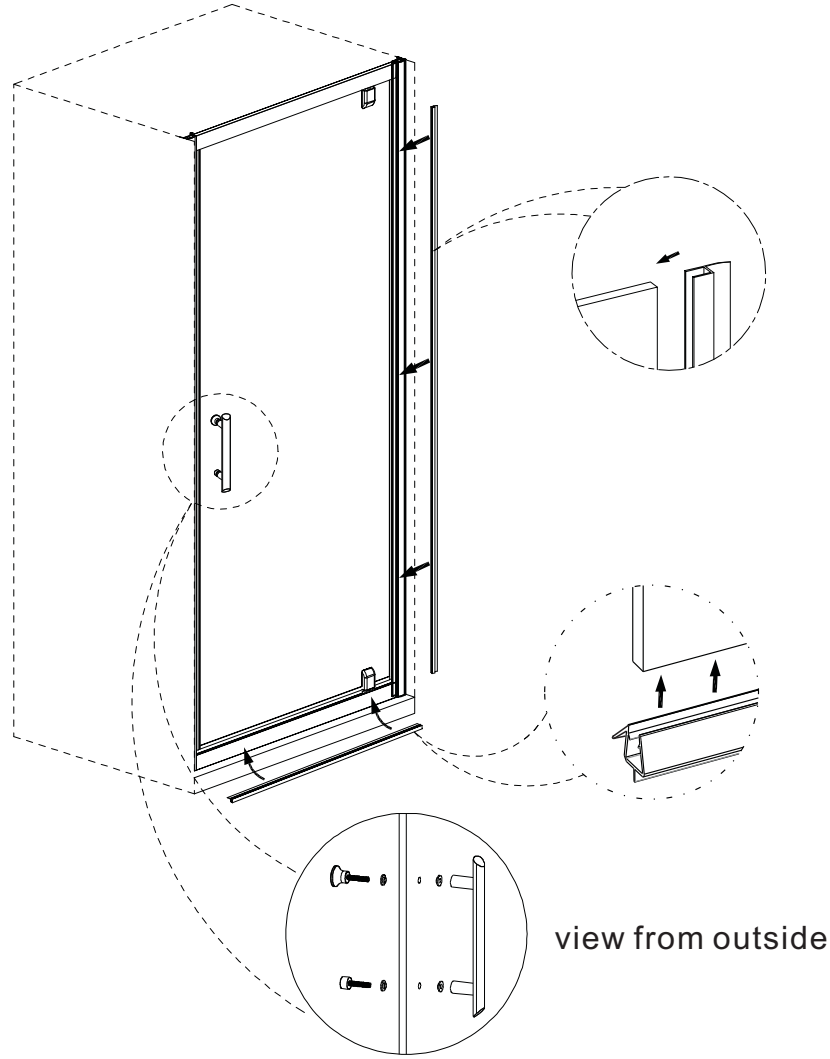


Minimum adjustment

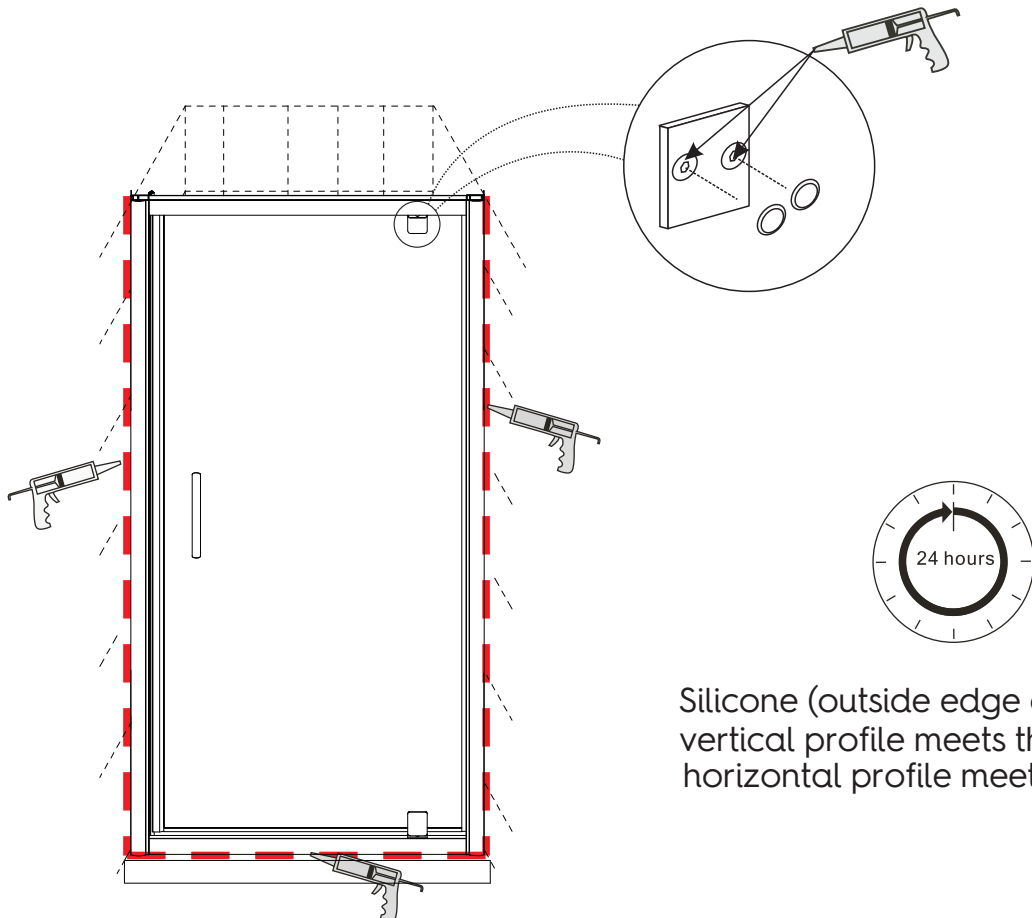


⚠ Use a spirit level to make sure the door is square within the frame. There should be an even gap top & bottom between the door and the frame.

## Step 7 FITTING THE SEALS AND HANDLE



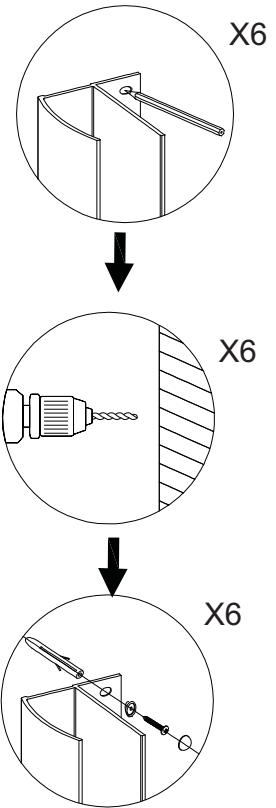
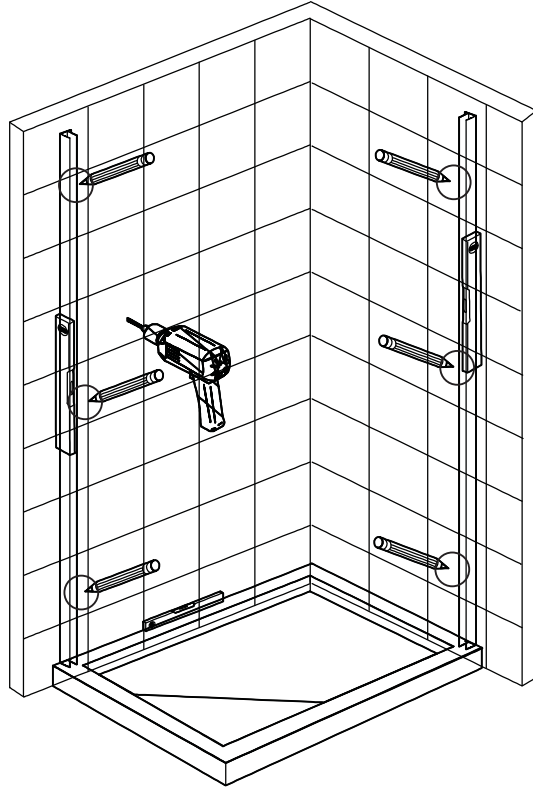
## Step 8 FITTING THE CAPS AND SILICONE THE OUTSIDE EDGES



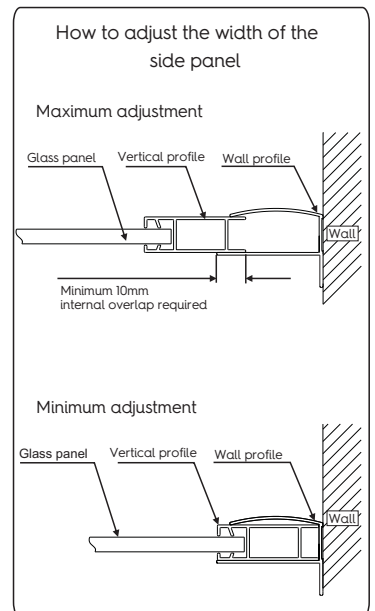
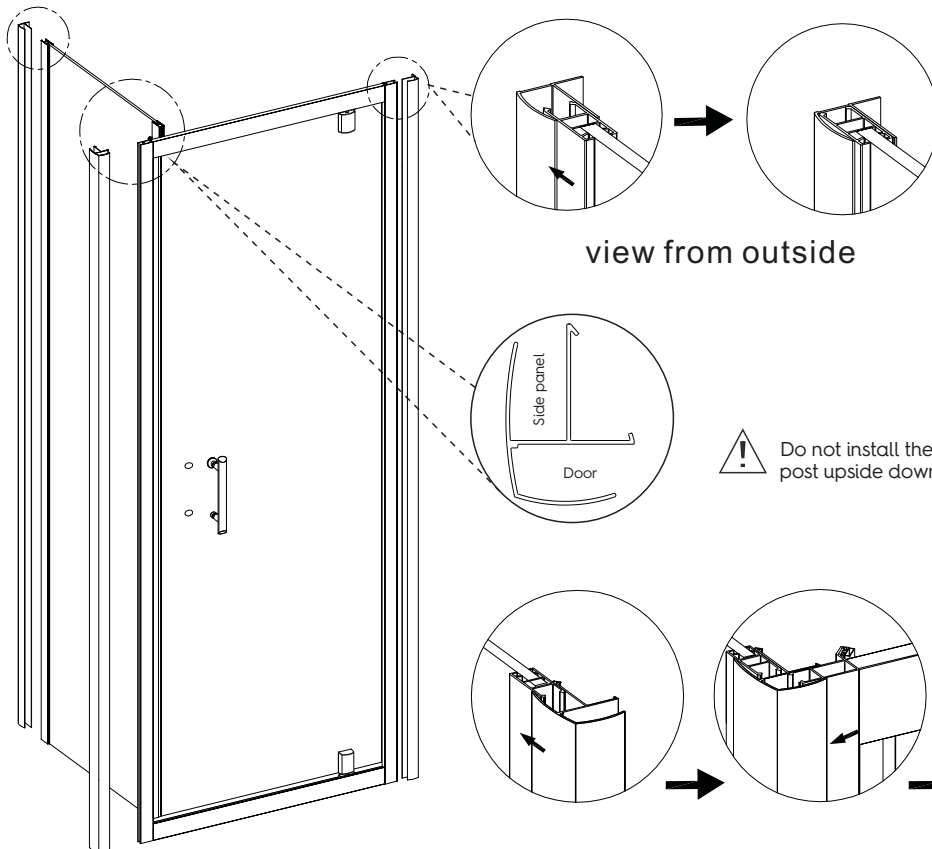


# CORNER INSTALLATION WITH A SIDE PANEL

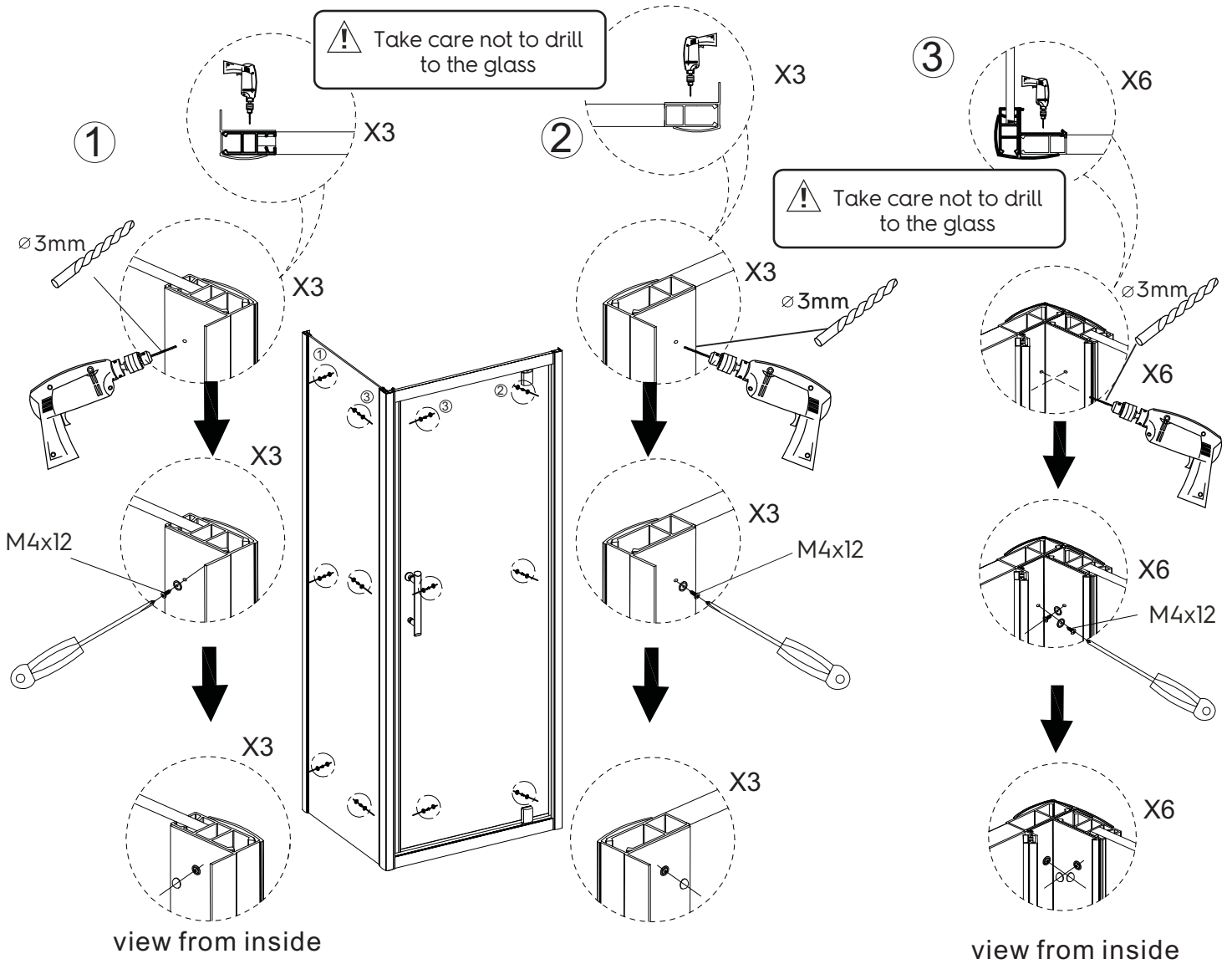
## Step 1 MARK WALL FIXING POSITIONS AND DRILL WALL HOLE



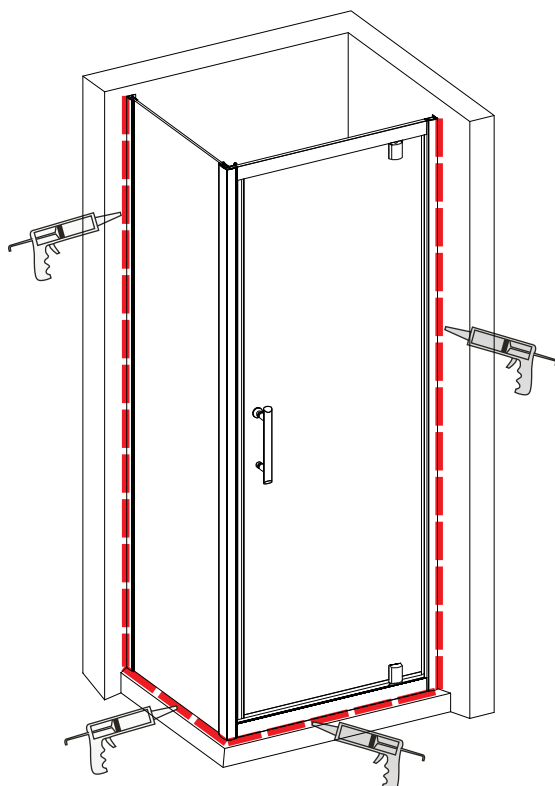
## Step 2 SLIDE THE PROFILES



### Step 3 FITTING THE PROFILES



### Step 4 SILICONE THE OUTSIDE EDGES



Silicone (outside edge only) where the vertical profiles meet the wall, and the horizontal profile meets the tray

# CARE AND MAINTENANCE

## 1) AFTER CARE INSTRUCTIONS

Regularly clean your shower product with warm soapy water to prevent lime scale build up. Do not use abrasive cleaning fluids or materials, or strong chemical cleaners as this will damage the product surface.

## 2) MAINTENANCE

Clean the plastic parts with a cloth and mild detergent. Never use any abrasive creams, dissolvents, acetone or detergents and disinfectants that contain chlorine. The supplier accepts no liability for any type of use of care other than those contained in these instructions. The supplier reserves the right to introduce technical changes without notice.

---

## COMMITMENT TO QUALITY

It is our intention that the quality and functions of this product are of the highest standard. If you require help we advise you firstly contact a competent plumber. However we understand that this may not always be the case, so should you experience any problems please contact our customer services quoting the following:

Product name: 6mm Pivot Shower Door

Product code: PSD7003 PSD7603 PSD8003 PSD9003 PSD1003

Customer help line number: 0344 804 48 48

# INSTALLERS NOTES



Victoria Plum Limited, Bridgehead Business Park  
Hessle, HU13 0DG

16

EN 14428 : 2015  
DOP No.: J161208003-1

Shower enclosures with aluminium  
profiles and safety glass

| <b>Essential characteristics</b>     | <b>Performance</b> | <b>Harmonised technical specification</b> |
|--------------------------------------|--------------------|---|
| Cleanability                         | Pass               | Clause 4.2 of EN 14428:2015               |
| Impact resistance/shatter properties | Pass               | Clause 4.3 of EN 14428:2015               |
| Durability                           | Pass               | Clause 4.4 of EN 14428:2015               |

The packaging you have received with your product is 100% recyclable.  
It must be disposed of in a safe and environmentally friendly way.  
We suggest you take it to the local landfill site and discard in the designated bins.