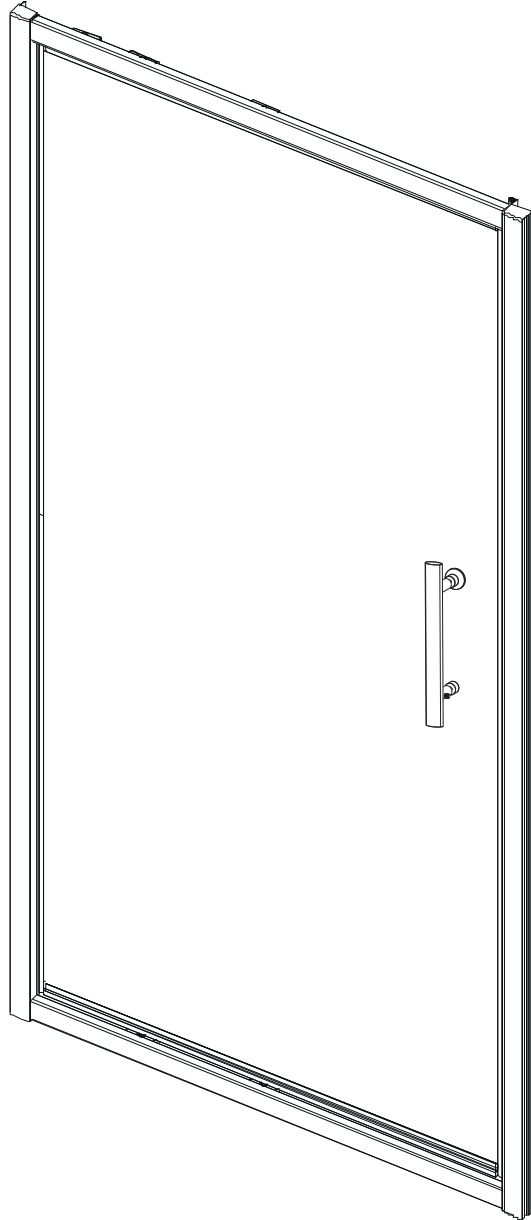


# 6mm Plus Inswing Door

Refer To Sheet 8 For Relevant Product Codes



Decide which hand is required. Left hand opening illustrated.  
Change the hand by turning the door upside down.

# BEFORE YOU START, HERE IS SOME IMPORTANT INFORMATION

## 1) General Information

Please inspect this product upon delivery, any missing parts or manufacturing defects must be reported immediately to the supplier. Damage or defects reported later will not be accepted. **TAKE CARE WHEN HANDLING GLASS PARTS - AVOID HEAVY CONTACT BETWEEN THE GLASS EDGES AND ANY HARD SURFACE.**

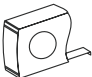


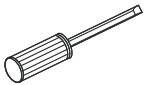

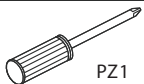

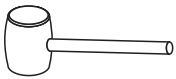
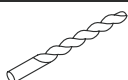

Glass breakage claims will not be accepted after the product has been unpacked.


Please note: Aluminium is a soft metal, and undergoes a series of extrusion, fabrication, polishing and anodising processes in order to create your finished shower enclosure. Some light surface marks are normal, and is a result of the manufacturing processes. Quality control has ensured that this item is of a good standard, and is fit for purpose.

## 2) Additional Notes

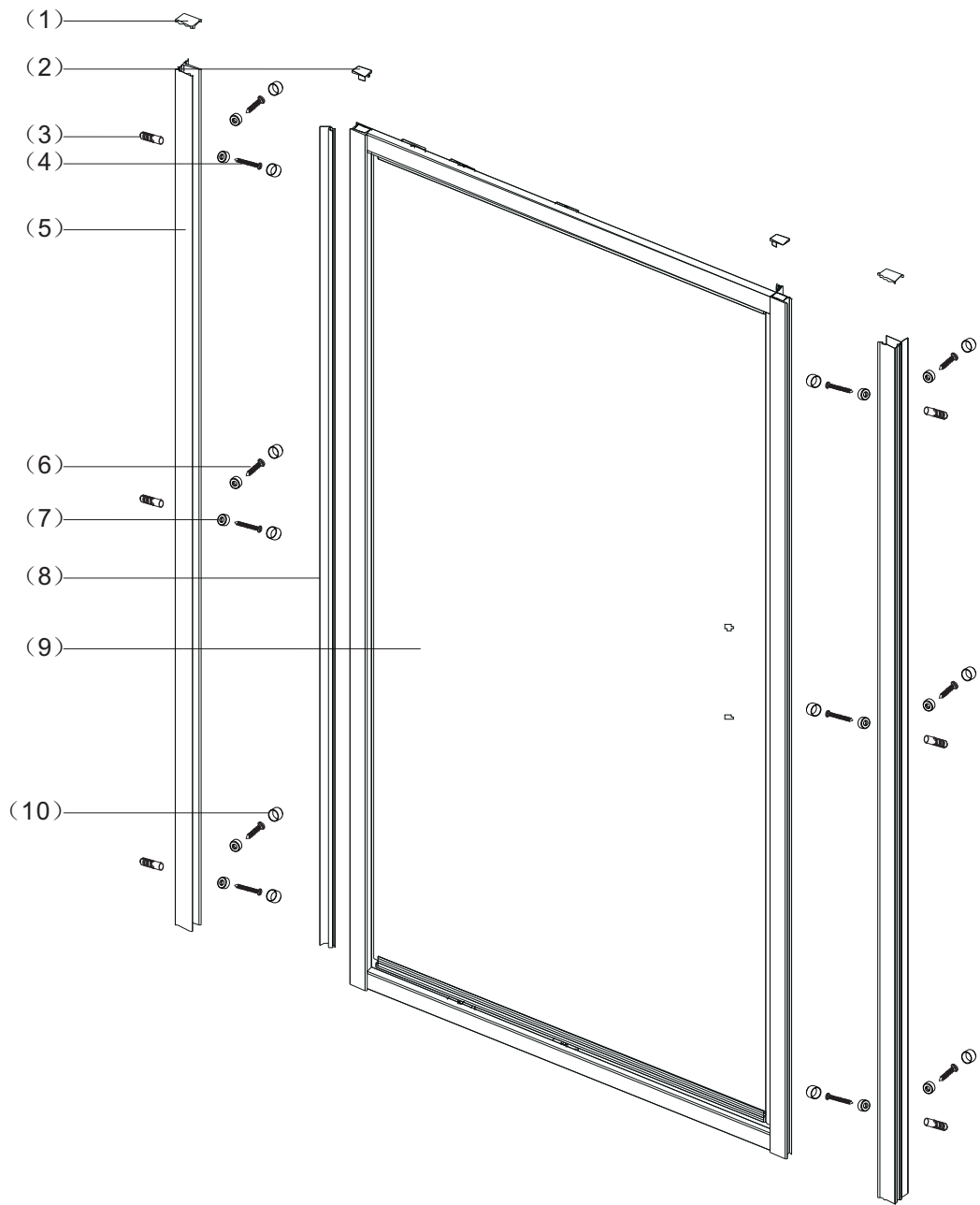
Please read these instructions carefully before starting installation.  
Special care should be taken when drilling walls to avoid hidden pipes or electrical cables.  
Note: this product is heavy and may require two people to install.

## TOOLS REQUIRED

DESCRIPTION	PART IMAGE	DESCRIPTION	PART IMAGE
Tape measure		Drill	
Spirit level		Flat-head Screwdriver	
Pencil		Cross head Screwdriver	
Ø6mm Drill bit		Mallet	
Ø3mm Drill bit		Silicone Sealant	

 This product is heavy and may require two people to install.

# ASSEMBLY INSTRUCTIONS-DRAWING



- (1) 2x Wall Profile Top Caps L&R
- (2) 2x Upright Profile Caps
- (3) 6x Wall Plugs
- (4) 6x Screws 4x30
- (5) 2x Wall Profiles

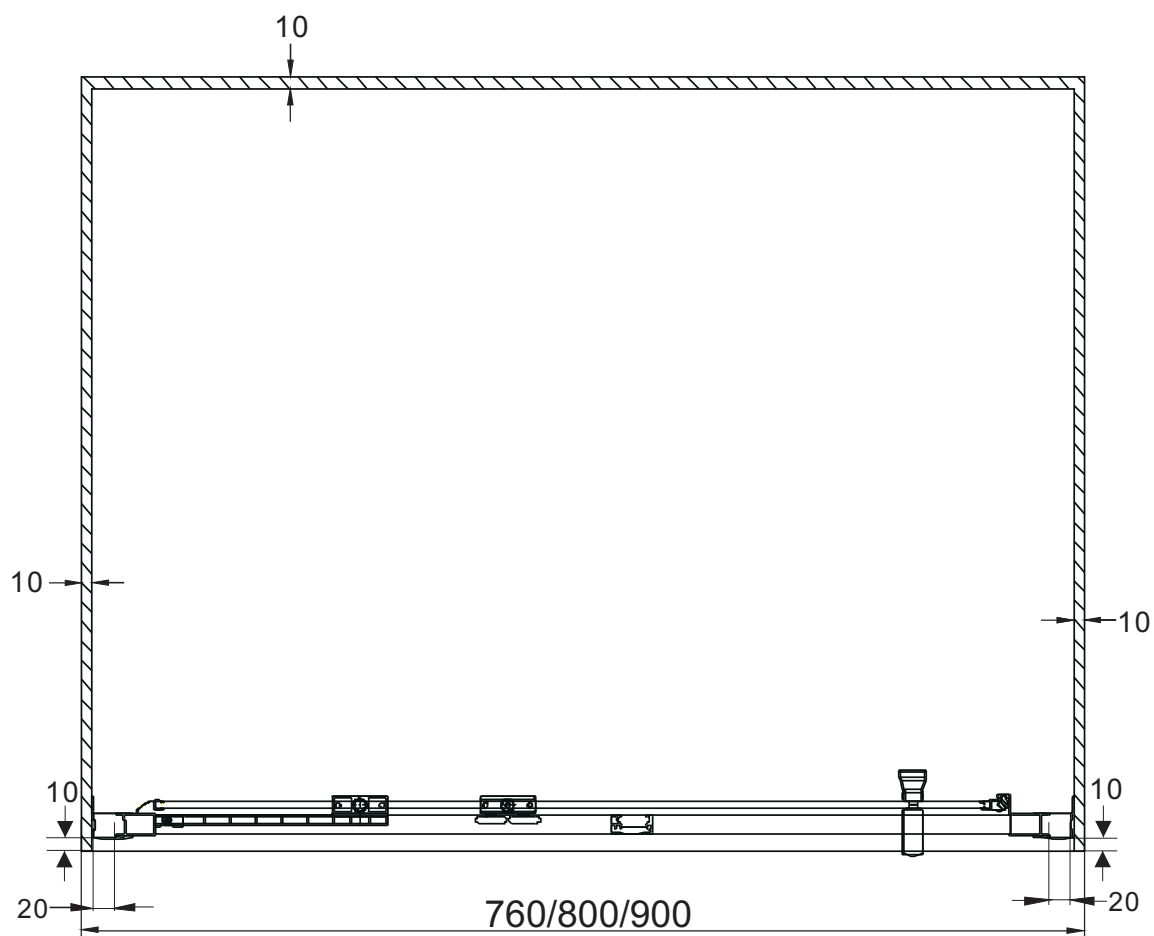
- (6) 6x Screw 4x12
- (7) 12x Screw Clips
- (8) 1x Fixed Panel Seal
- (9) 1x Inswing Door
- (10) 12x Screw Cover Caps

## ASSEMBLY INSTRUCTIONS – RECESS FITTING

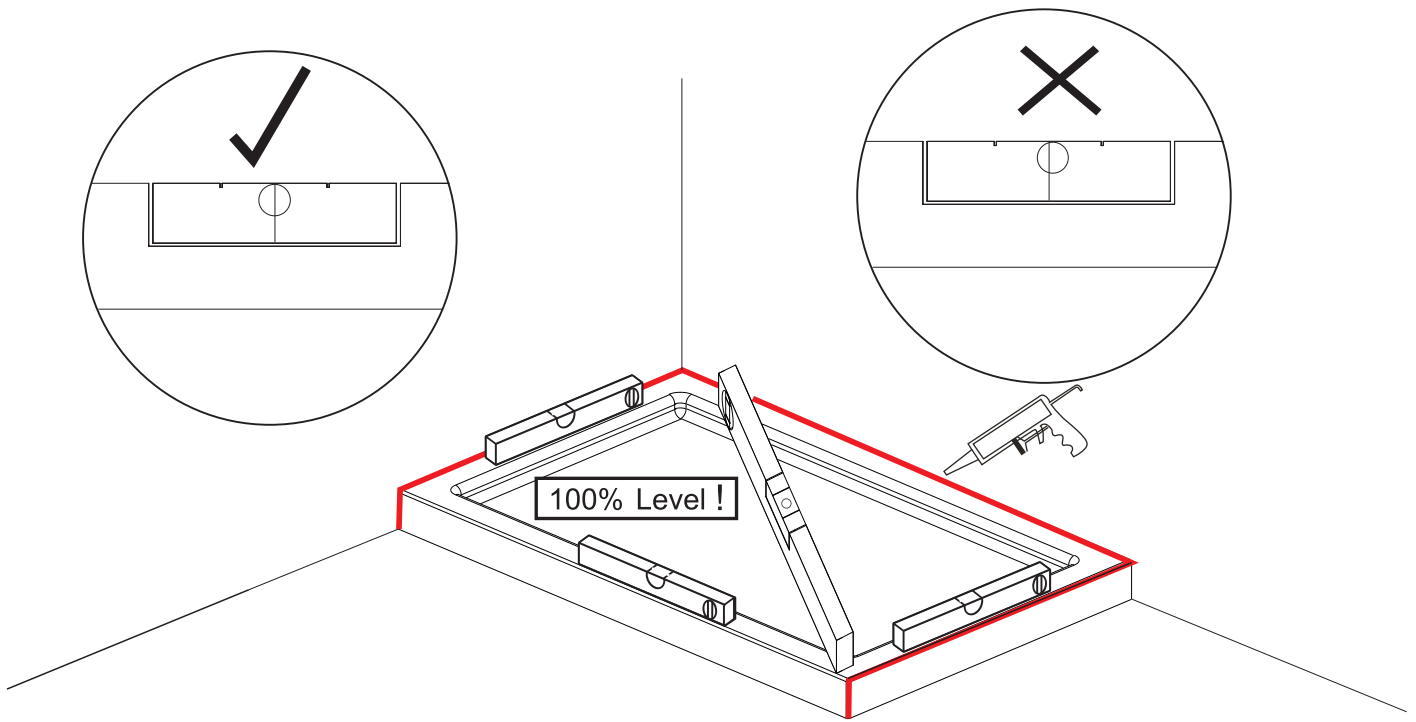
If you require help, we advise you to contact a competent plumber

NOTE: This product is fully reversible. To install the opposite hand to what is shown please reverse the installation method/turn upside down

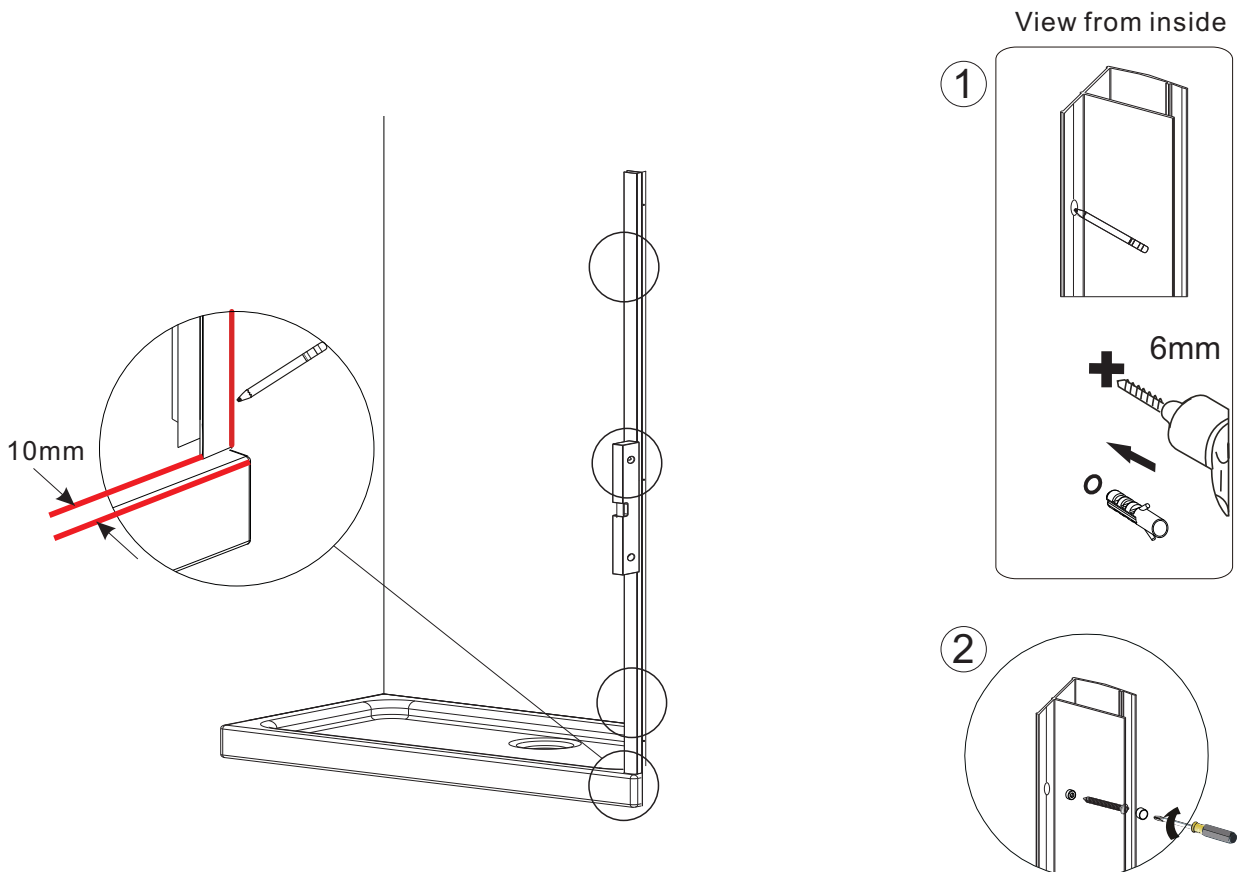
Fitted inswing door and drawing



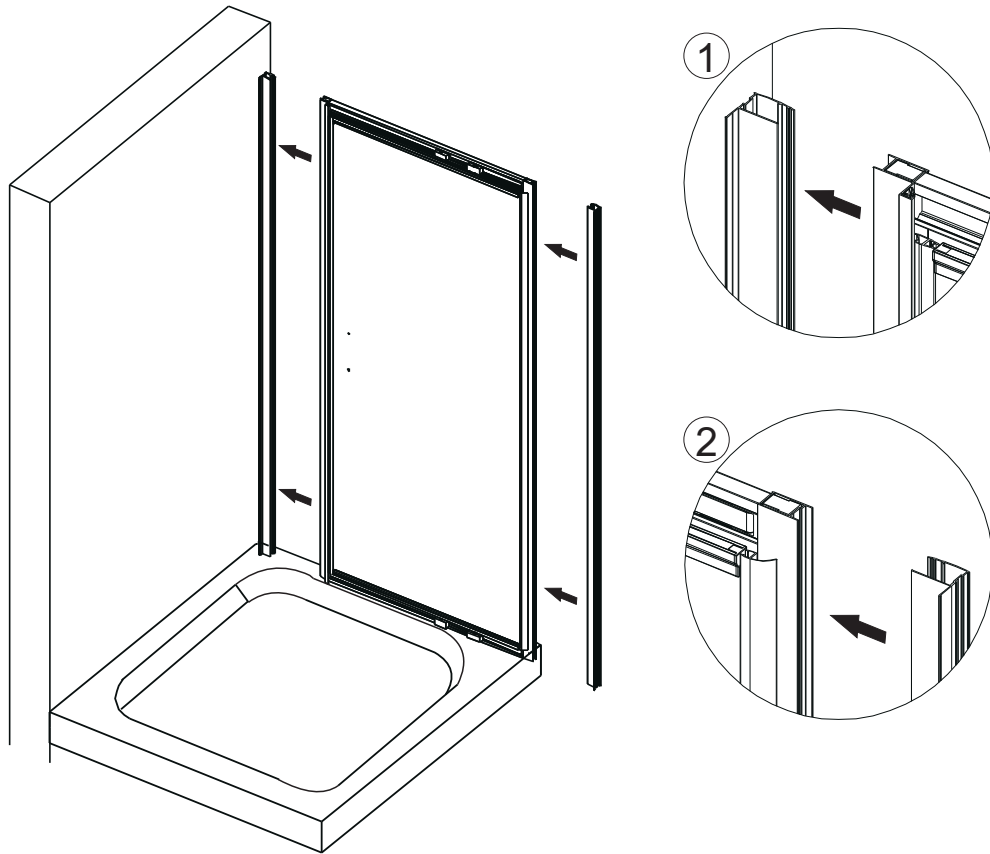
Step 1 Make sure the tray is level, using a spirit level, before installing this shower panel / door



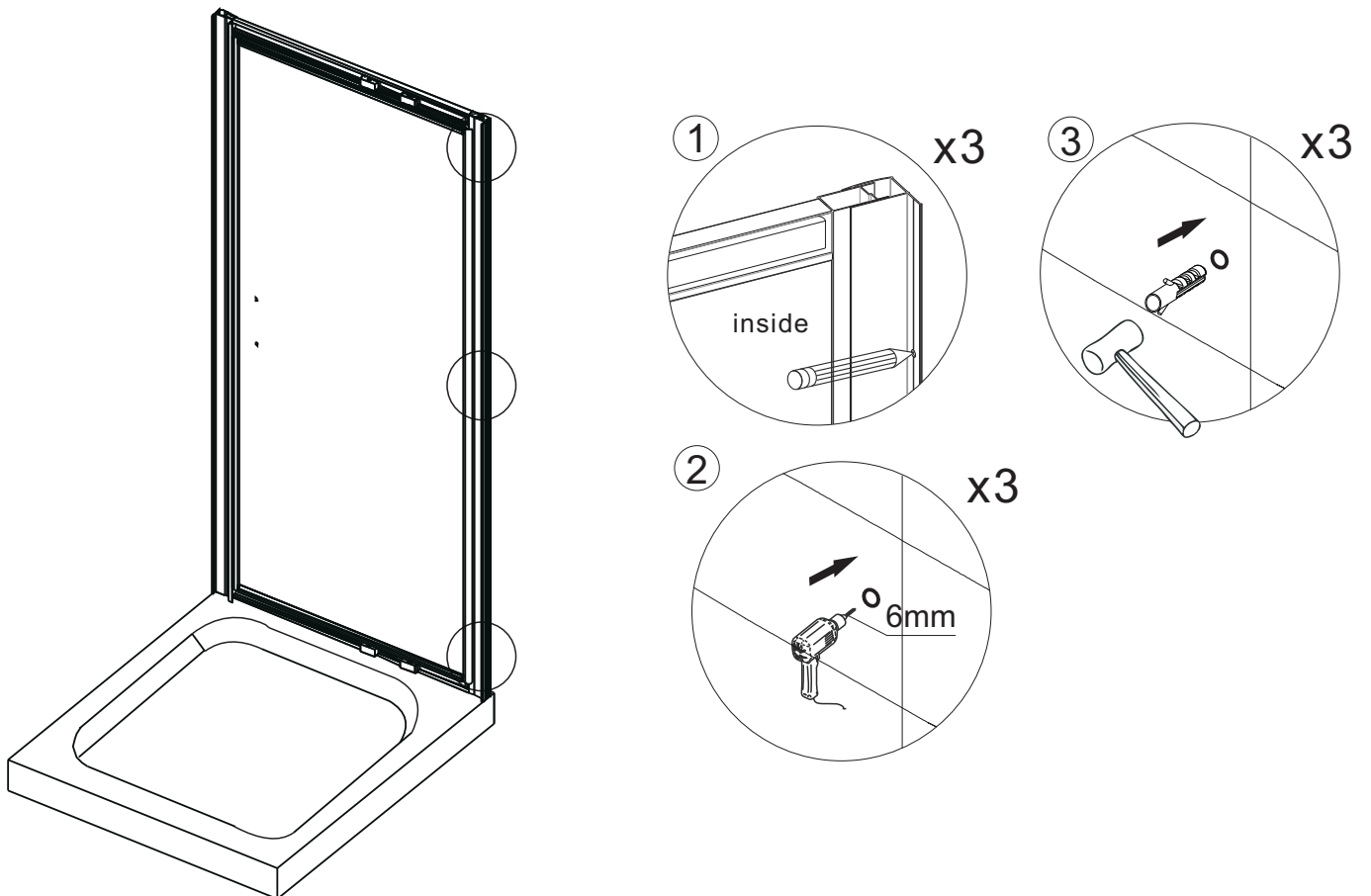
Step 2 Mark wall fixing position of handle side wall profile . Drill wall , and screw to wall



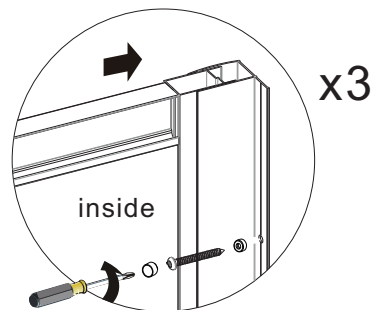
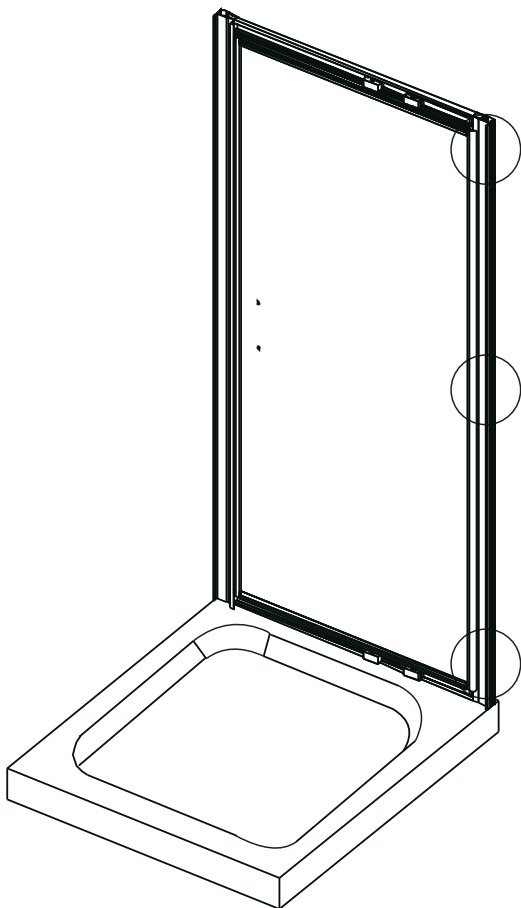
Step 3 Slide other wall profile onto door , lift door onto tray



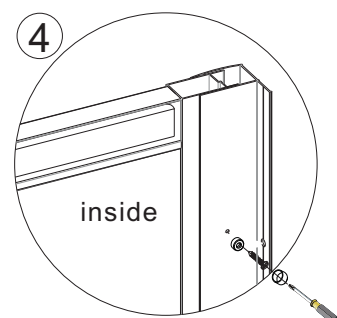
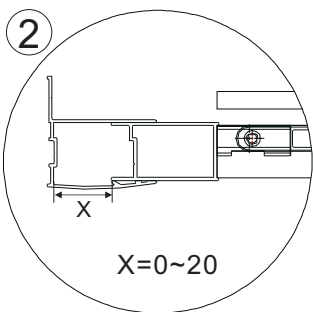
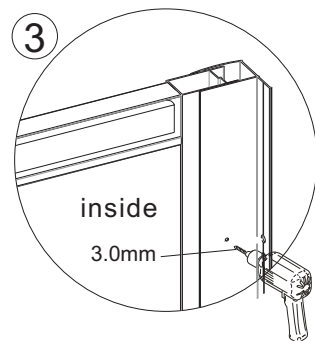
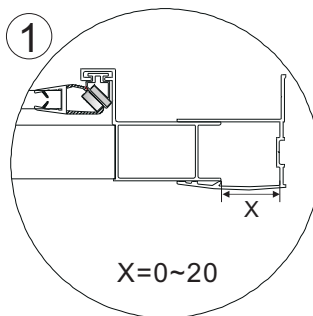
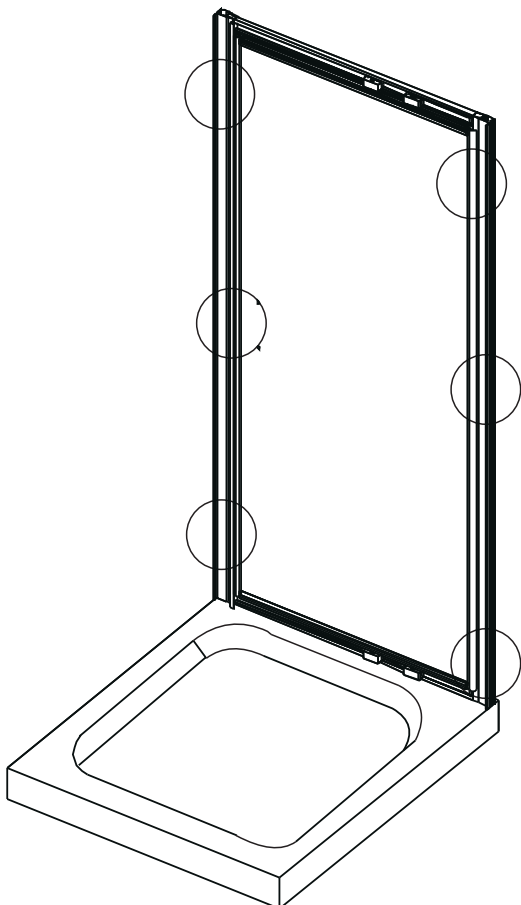
Step 4 Mark wall fixing positions of pivot bracket side wall profile and drill wall



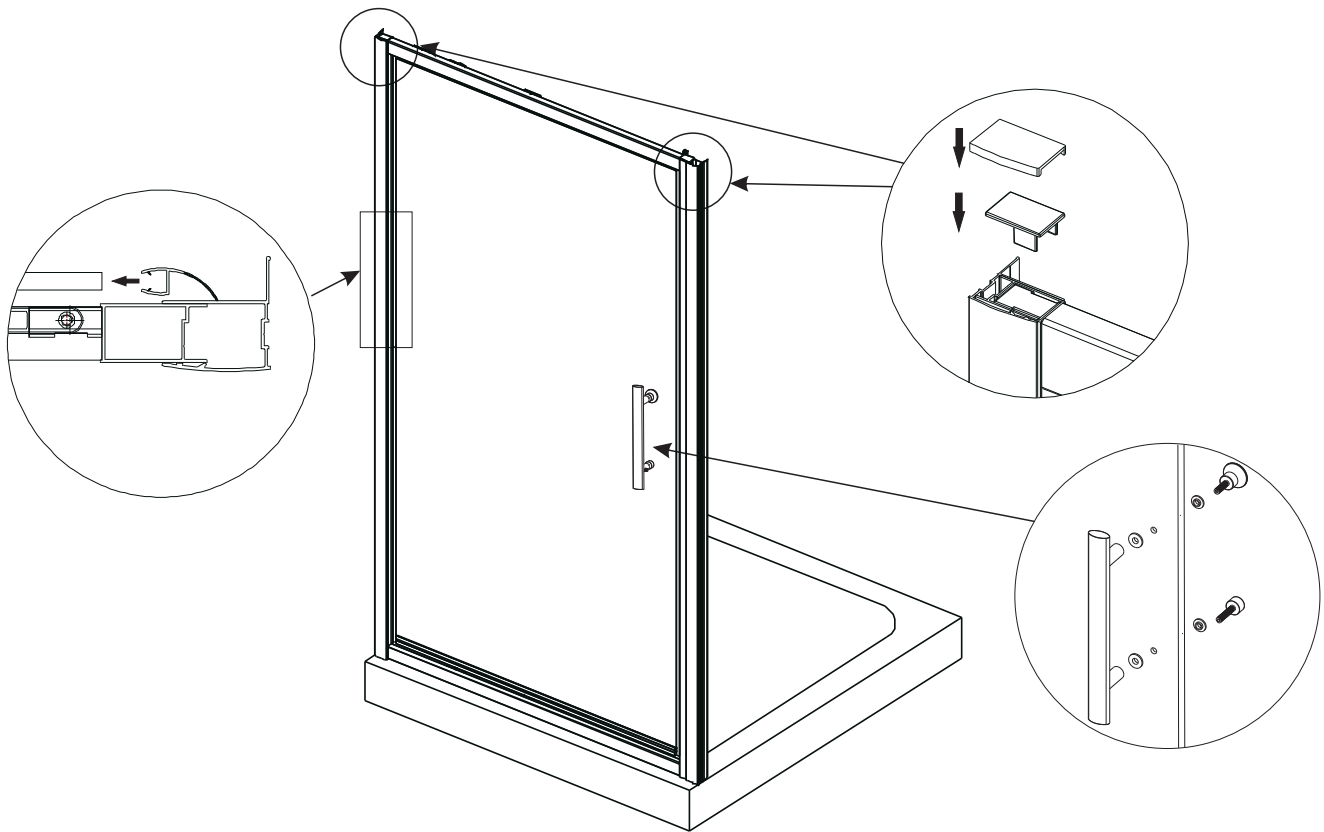
Step 5 Lift door back onto the tray , and fitting the pivot bracket side wall profile



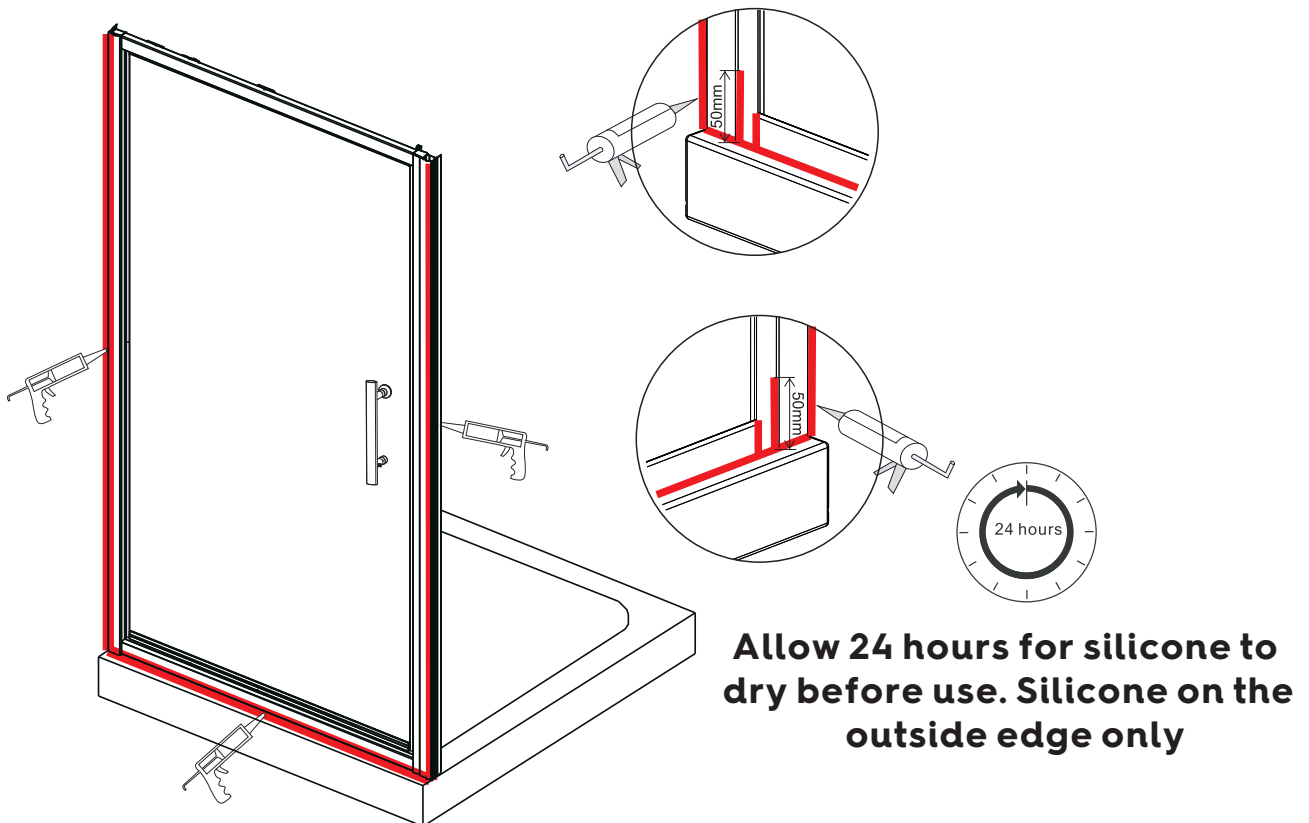
Step 6 Fixing door frame to the wall profiles



Step 7 Fitting the handle and top caps and seal



Step 8 Silicone the outside edges





# CARE AND MAINTENANCE

## 1) AFTER CARE INSTRUCTIONS

Regularly clean your shower product with warm soapy water to prevent lime scale build up. Do not use abrasive cleaning fluids or materials, or strong chemical cleaners as this will damage the product surface.

## 2) MAINTENANCE

Clean the plastic parts with a cloth and mild detergent. Never use any abrasive creams, dissolvents, acetone or detergents and disinfectants that contain chlorine. The supplier accepts no liability for any type of use of care other than those contained in these instructions. The supplier reserves the right to introduce technical changes without notice.

---

## COMMITMENT TO QUALITY

It is our intention that the quality and functions of this product are of the highest standard. If you require help we advise you firstly contact a competent plumber. However we understand that this may not always be the case, so should you experience any problems please contact our customer services quoting the following:

Product name: 6mm Plus Inswing Door

Product code: MID761/MID801/MID901

Customer help line number: 0344 804 48 48

# INSTALLERS NOTES

# INSTALLERS NOTES



Victoria Plum Limited, Bridgehead Business Park  
Hesle, HU13 0DG

18

EN 14428 : 2015  
DOP No.:J170320002-1

Shower enclosures with aluminium  
profiles and safety glass

<b>Essential characteristics</b>	<b>Performance</b>	<b>Harmonised technical specification</b>
Cleanability	Pass	Clause 4.2 of EN 14428:2015
Impact resistance/shatter properties	Pass	Clause 4.3 of EN 14428:2015
Durability	Pass	Clause 4.4 of EN 14428:2015

The packaging you have received with your product is 100% recyclable.  
It must be disposed of in a safe and environmentally friendly way.  
We suggest you take it to the local landfill site and discard in the designated bins.