

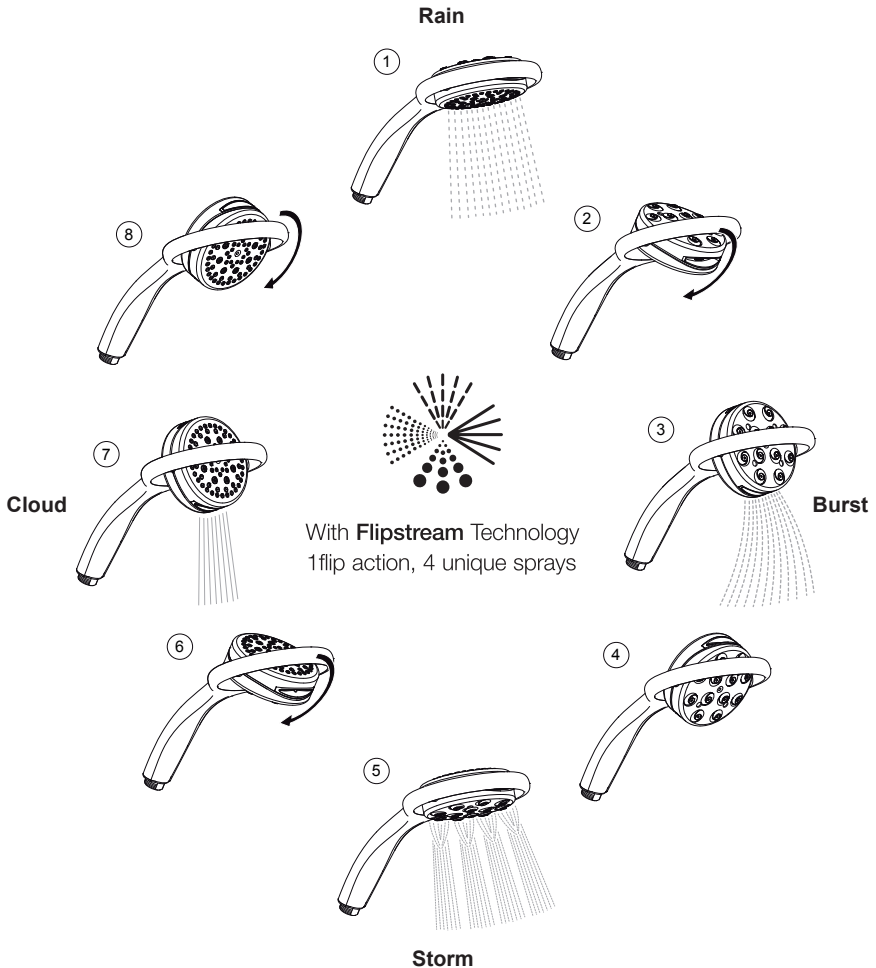
Mira Platinum Showerhead

User Guide



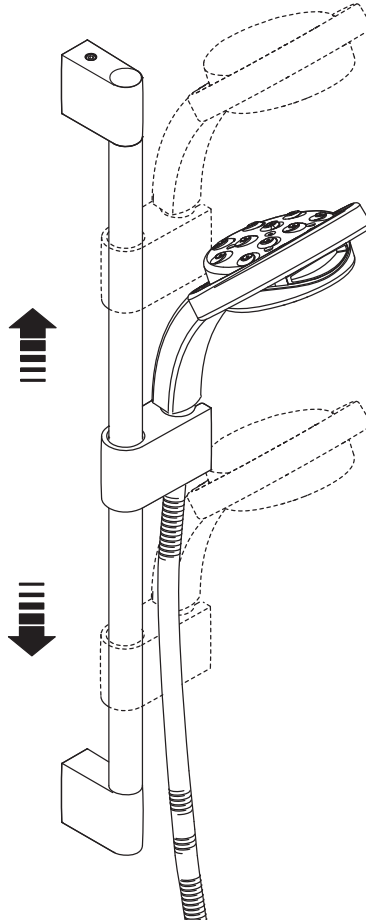
Changing the Spray Setting

The Showerhead has four different spray actions:- Rain, Burst, Storm and Cloud. The rotating head feature enables differing spray patterns to be achieved. Turn the Showerhead to activate the different spray patterns.



Height Adjustment.

The height of the Showerhead is easily adjusted by gently moving the Clamp Bracket either up or down the Slide Bar until the required height is achieved.



Mira Showers

Kohler Mira Ltd
Cromwell Road,
Cheltenham GL52 5EP.

Telephone: 0870 241 0888
Fax: 01242 282595
E-mail: technical@mirashowers.com

Mira is a registered trade mark of
Kohler Mira Limited.
The company reserves the right to alter
product specifications without notice.

www.mirashowers.co.uk



FM 14648

mira
SHOWERS