

TECHNICAL DATA SHEET

GLEE ELECTRIC SHOWERS

Glee 8.5kW / 9.5kW / 10.5kW



Product Specification

	White	Gloss Black
Product Codes & Finishes:	GLE385 W (8.5Kw) GLE395 W (9.5Kw) GLE3105 W (10.5Kw)	GLE385 B (8.5Kw) GLE395 B (9.5Kw) GLE3105 B (10.5Kw)
Product Type:	Contemporary	
Construction:	Plastic (ABS)	
Supply:	Suitable for mains cold feed only	
Inlet Connections:	15mm push fit, 5 directional options	
Outlet Connections:	G 1/2"	
Working Pressures:	Min 0.7bar, Max 10.0bar	
Energy Rating:		



Additional Information

- Instantaneous electric shower drawing water direct from the mains supply; ideal for installations without stored hot water and second bathrooms.
- Digital display temperature indicator
- Warm-up mode will show a light flashing until the water is warmed up to the desired temperature and ready to use
- Consistent showering temperature is provided. The temperature stabilising device compensates for changes in the water pressure caused by other household fittings.
- Safety devices include thermal cut out & pressure relief.
- 3 Power settings. (Cold, Warm/Eco, Hot) and a separate temperature control.
- On/Off is operated by Push Button, ensuring temperature setting remains unaffected after each use.
- Safety warning letters in a display panel indicate low pressure and therefore the shower should be turned off until pressure resumes.
- The phased shut down feature ensures all hot water is flushed out of the shower after use prolonging the shower life. This ensures lime scale build up is kept to a minimum.
- Push fit swivel inlet elbow pipe connection, enabling plumbing from 5 different directions.
- This shower is supplied with an adjustable riser kit and 3 mode rub-clean handset. The riser has a built in soap tray & integral hose retainer.
- Adjustable riser comes complete with adjustable bottom bracket so ideal to cover existing riser holes and tile joints.
- Incorporates a temperature control device (TCD) that activates when the temperature is too high & the water inside the heater gets too hot. The TCD will switch off the power to the heating elements and once the unit cools down to a safe temperature, will come on again.

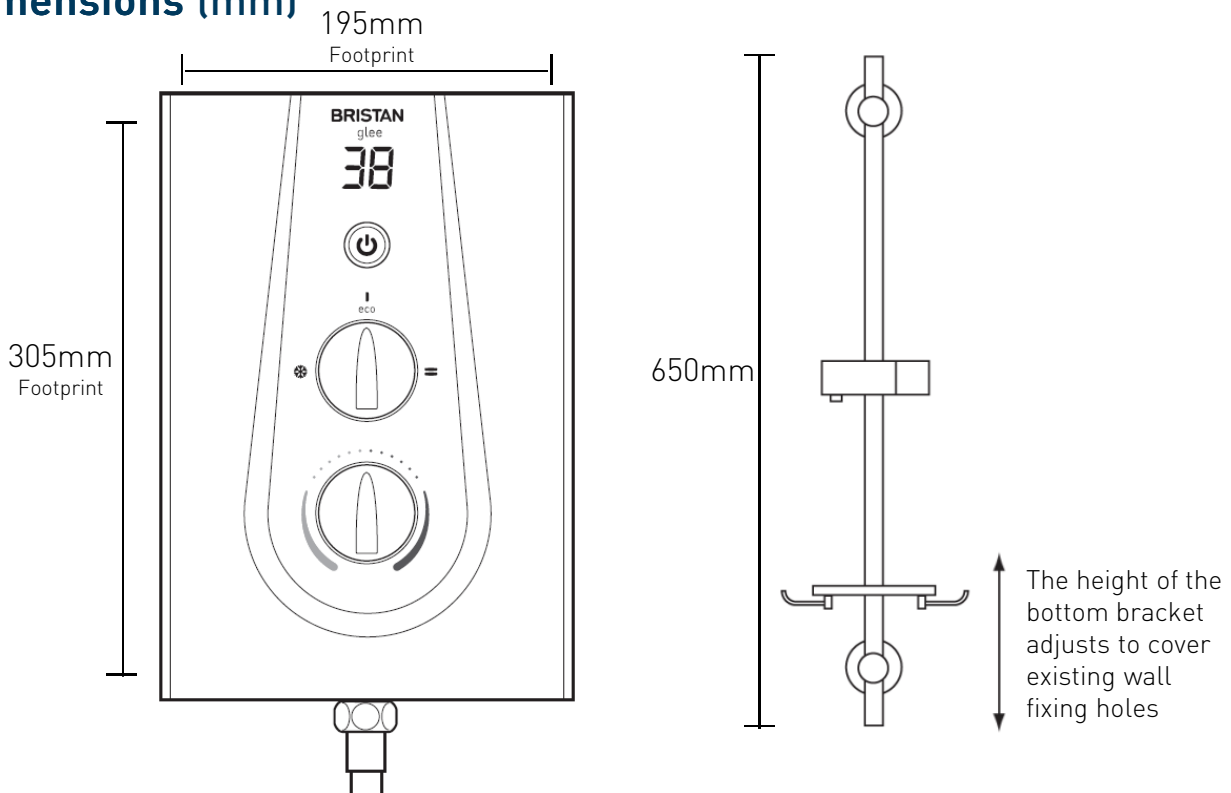
Bristan, Birch Coppice Business Park, Dordon, Tamworth, B78 1SG
Telephone: 0844 701 6274 Facsimile: 0844 701 6275
Web Site: www.bristan.com Email: enquire@bristan.com



The information contained on this page was correct at date of issue. Fitting dimensions are provided as a guide only. Some variation may occur due to manufacturing tolerances. Bristan pursues a policy of continuing improvement in design and performance of its products and so reserves the right to change specifications without prior notice.

TECHNICAL DATA SHEET

Dimensions (mm)



Flow Rates (litres per minute)

Power	8.5kW	9.5kW	10.5kW
Flow Rate	4.5	5.1	5.6

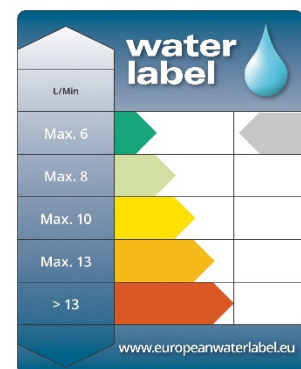
Quoted as per European Water Label (EWL) scheme conditions:
Output = 42°C; Input = 15°C; Voltage = 240V

Compliance / Approvals

BEAB safety: IWH 0758
 BEAB EMC: IWH 0762
 CE Mark:
 WRAS Approval Number: 1312053

Technical Advice: For further information please call 0844 7016273 or email customer@bristan.com

Guarantee: 2 years covering manufacturing faults.



Bristan, Birch Coppice Business Park, Dordon, Tamworth, B78 1SG
 Telephone: 0844 701 6274 Facsimile: 0844 701 6275
 Web Site: www.bristan.com Email: enquire@bristan.com



The information contained on this page was correct at date of issue. Fitting dimensions are provided as a guide only. Some variation may occur due to manufacturing tolerances. Bristan pursues a policy of continuing improvement in design and performance of its products and so reserves the right to change specifications without prior notice.