


TECHNICAL DATA SHEET

JOY ELECTRIC SHOWERS

Joy 8.5kW / 9.5kW

Product Specification

	White	Metallic Silver
Product Codes & Finishes:	JOYT385 W (8.5Kw)	JOYT385 MS (8.5Kw)
	JOYT395 W (9.5Kw)	JOYT395 MS (9.5Kw)

Product Type:	Contemporary
Construction:	Plastic (ABS)
Supply:	Suitable for mains cold feed only
Inlet Connections:	15mm push fit, 5 directional options
Outlet Connections:	G 1/2"
Working Pressures:	Min 0.7bar, Max 10.0bar
Energy Rating:	



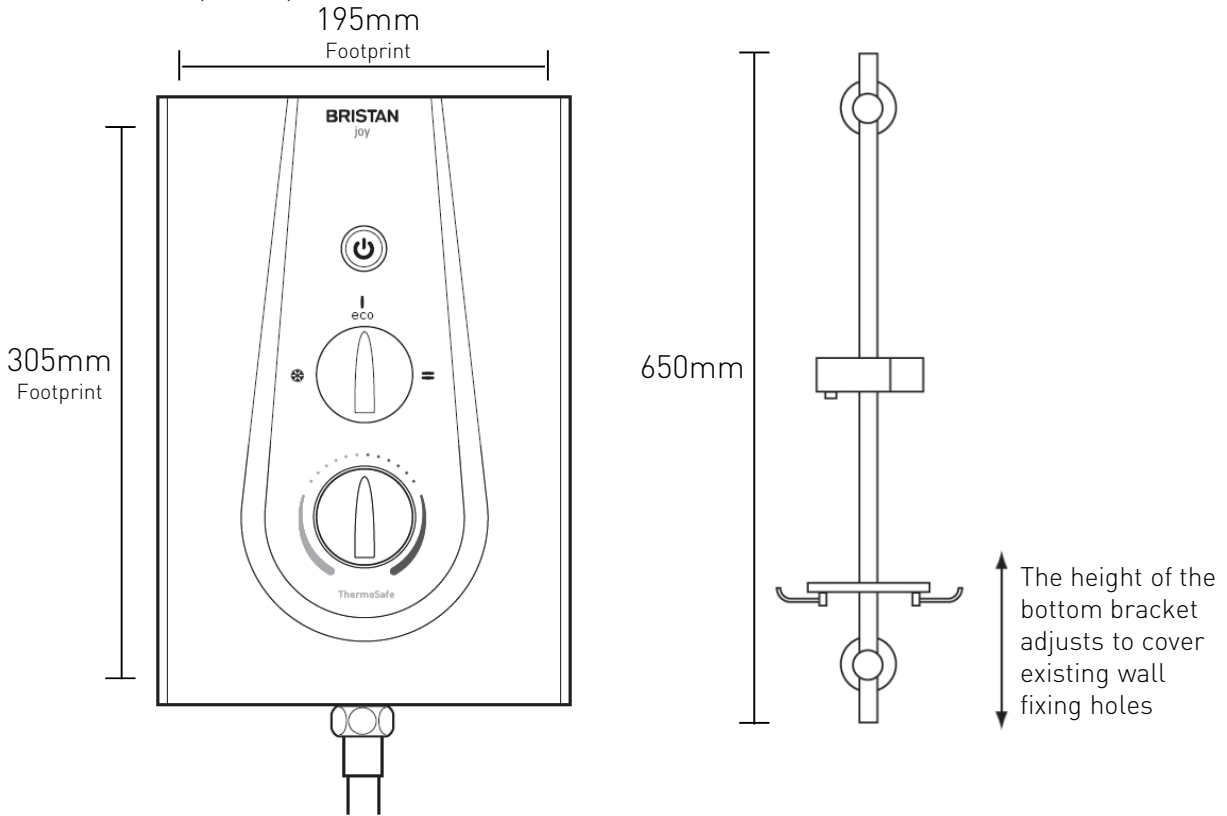
Additional Information

- Instantaneous electric shower drawing water direct from the mains supply ideal for installations without stored hot water and second bathrooms.
- Warm-up mode for comfortable showering, exclusively with the Joy shower. Set your temperature and the indicator light flashes until it is reached and ready for use
- Consistent showering temperature is provided. The temperature stabilising device compensates for changes in the water pressure caused by other household fittings.
- Safety devices include thermal cut out & pressure relief.
- 3 Power settings. (Cold, Warm/Eco, Hot) and a separate temperature control.
- On/Off is operated by Push Button, ensuring temperature setting remains unaffected after each use.
- LED readout displaying temperature settings between 1 and 12
- Safety warning letters in a display panel indicate low pressure and therefore the shower should be turned off until pressure resumes.
- The phased shut down feature ensures all hot water is flushed out of the shower after use prolonging the shower life. This ensures lime scale build up is kept to a minimum.
- Push fit swivel inlet elbow pipe connection, enabling plumbing from 5 different directions.
- This shower is supplied with an adjustable riser kit and 3 mode rub-clean handset. The riser has a built in soap tray & integral hose retainer.
- Adjustable riser comes complete with adjustable top/bottom brackets so ideal to cover existing riser holes and tile joints.
- Incorporates a temperature control device (TCD) that activates when the temperature is too high & the water inside the heater gets too hot. The TCD will switch off the power to the heating elements and once the unit cools down to a safe temperature, will come on again.
- ThermoSafe™ Technology: Regulates the output water to minimise high/dangerous output temperatures for a safer showering experience.

Bristan, Birch Coppice Business Park, Dordon,
Tamworth, B78 1SG
Telephone: 0844 701 6274 Facsimile: 0844 701 6275
Web Site: www.bristan.com Email: enquire@bristan.com



Dimensions (mm)



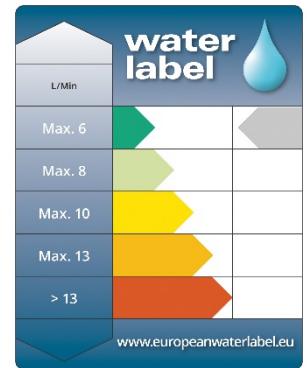
Flow Rates (litres per minute)

Power	8.5kW	9.5kW
Flow Rate	4.5	5.1

Quoted as per European Water Label (EWL) scheme conditions:
Output = 42°C; Input = 15°C; Voltage = 240V

Compliance / Approvals

BEAB safety:	IWH 0757
BEAB EMC:	IWH 0761
CE Mark:	
WRAS Approval Number:	1312053



Technical Advice: For further information please call 0844 7016273 or email customer@bristan.com

Guarantee: 2 years covering manufacturing faults.

Bristan, Birch Coppice Business Park, Dordon,
Tamworth, B78 1SG
Telephone: 0844 701 6274 Facsimile: 0844 701 6275
Web Site: www.bristan.com Email: enquire@bristan.com

