

TECHNICAL DATA SHEET

QUEST Basin Mixer with Optional Clicker Waste

Product Specification

Product Codes:	QST BAS C (with waste) QST BASNW C (without waste)
Finish:	Chrome
Product Type:	Contemporary
Construction:	Body is of Brass Construction and is designed to conform to BS EN 817
Supply:	Suitable for all plumbing systems
Cartridge Type:	35mm Ceramic Disc Cartridge
Inlet Connections:	M10 x 15mm Copper Connecting Pipes
Working Pressures:	Min 0.2bar, Max 8.0bar
Dimensions for Fitting:	105 (H) mm, 50 (W) mm, 90 (D) mm

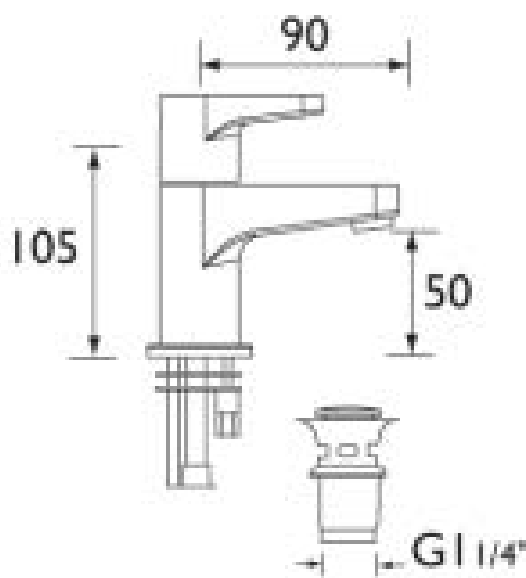


Additional Information

- Supplied with Metal Handles
- Supplied with Clicker Waste (optional)
- Chrome plated to BS EN 248

Compliance/Approvals

WRAS Approval No: 1109063



Flow Rates (litres per minute)

System Pressure	0.2bar	0.5bar	1.0bar	2.0bar	3.0bar	5.0bar
Open Outlet	5.4	8.53	12.07	17.07	20.9	26.98

Technical Advice: For further information please call 0844 7016273 or email customer@bristan.com

Guarantee: 5 years covering manufacturing faults.

