

VTX 1/2 C

VANTAGE Tap Range Vantage Easyfit Basin Taps with Cross-



Specification	
Style:	Contemporary
Product Type:	Bathroom products
Finish/Colour:	Chrome
Main Construction Material:	Brass
Mount Type:	Deck
Handle Type:	Cross head
Connection Inlet:	15mm Flexible Connecting Pipes
Number of Tap Holes Required:	2
Valve/Cartridge Type:	1/2" Ceramic Disc Valves
Plumbing System Suitability	All
Working Pressure Range:	Min. 0.2 bar - Max. 5.0 bar
Maximum Hot Water Temperature: °c	65
Maximum Dynamic Pressure: (bar)	5
Maximum Static Pressure: (bar)	10
Flow Type:	Single flow
Flow Rate: (l/min @ 3 bar)	24.7
Connection Outlet:	M24 Flow Straightener
Isolation Included:	Yes

Features:

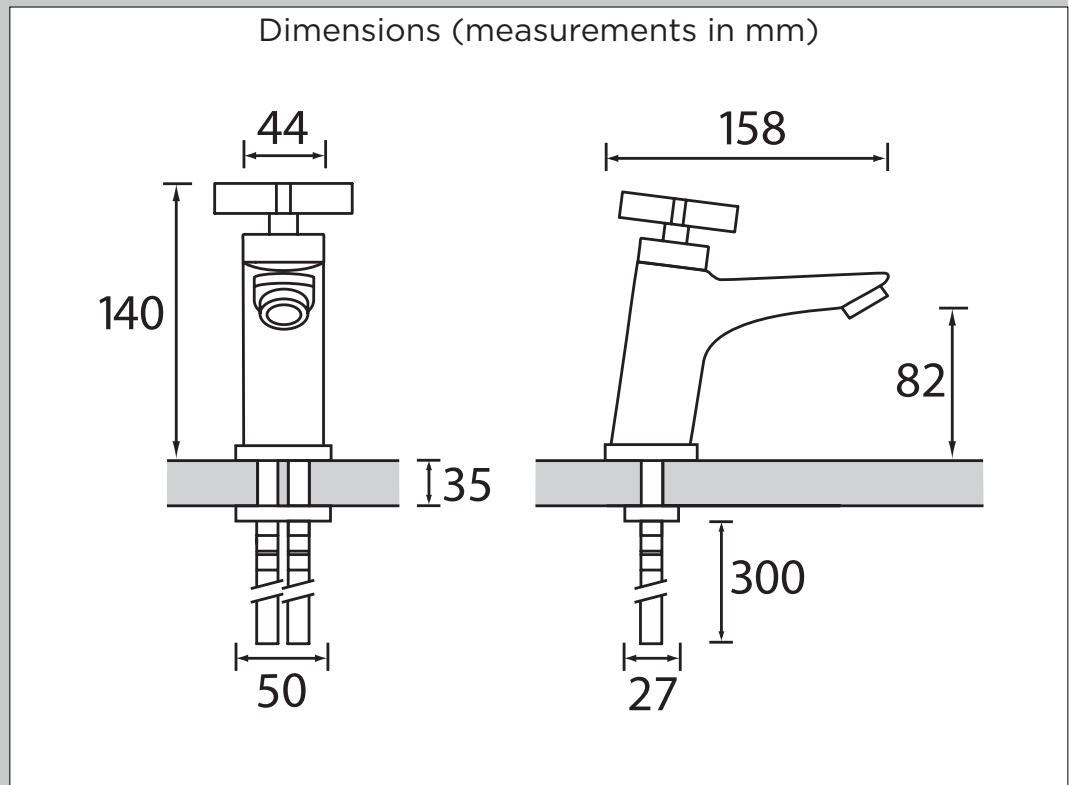
- Unique patented technology
- Ceramic disc valves for added durability and ease of use
- Supplied with easy to use metal cross head handles
- Chrome plated to BS EN 248

Product Certifications:

WRAS No: 1407962
WRAS Expiry Date 31/07/2019



For more products, visit our website:



Flow Rates (l/min)						
System Pressure (bar)	0.2	0.5	1	2	3	5
VTX 1/2 C	4.5	9.8	14	20	24.7	31.7

TECHNICAL
DATA
SHEET



BRISTAN
TAPS & SHOWERS

D4