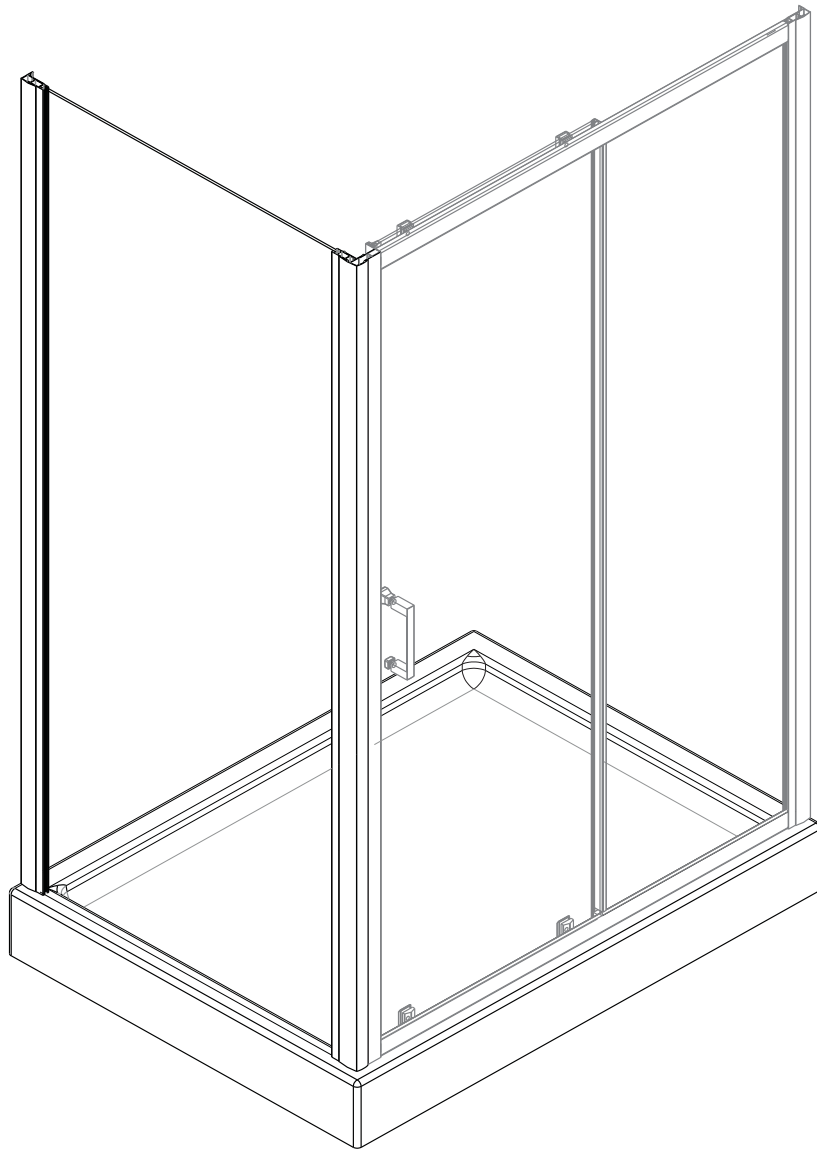


# MODE

## BATHROOMS

### SIDE PANEL FOR 6mm SLIDING SHOWER DOOR

Refer To Sheet 10 For Relevant Product Codes



Decide which hand is required. Right hand opening illustrated.  
Change the hand by turning the door upside down.

Exclusively available @

**VictoriaPlum.com**

VictoriaPlum.com  
0344 804 48 48

## BEFORE YOU START, HERE IS SOME IMPORTANT INFORMATION

### 1) General Information

Please inspect this product upon delivery, any missing parts or manufacturing defects must be reported immediately to the supplier. Damage or defects reported later will not be accepted. **TAKE CARE WHEN HANDLING GLASS PARTS - AVOID HEAVY CONTACT BETWEEN THE GLASS EDGES AND ANY HARD SURFACE.**

Glass breakage claims will not be accepted after the product has been unpacked.

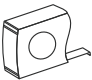


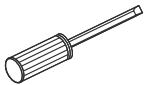
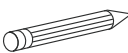
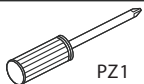
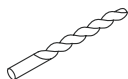
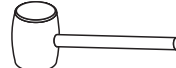
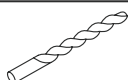

Please note: Aluminium is a soft metal, and undergoes a series of extrusion, fabrication, polishing and anodising processes in order to create your finished shower enclosure. Some light surface marks are normal, and is a result of the manufacturing processes. Quality control has ensured that this item is of a good standard, and is fit for purpose.

### 2) Additional Notes

Please read these instructions carefully before starting installation.  
Special care should be taken when drilling walls to avoid hidden pipes or electrical cables.  
Note: this product is heavy and may require two people to install.

---

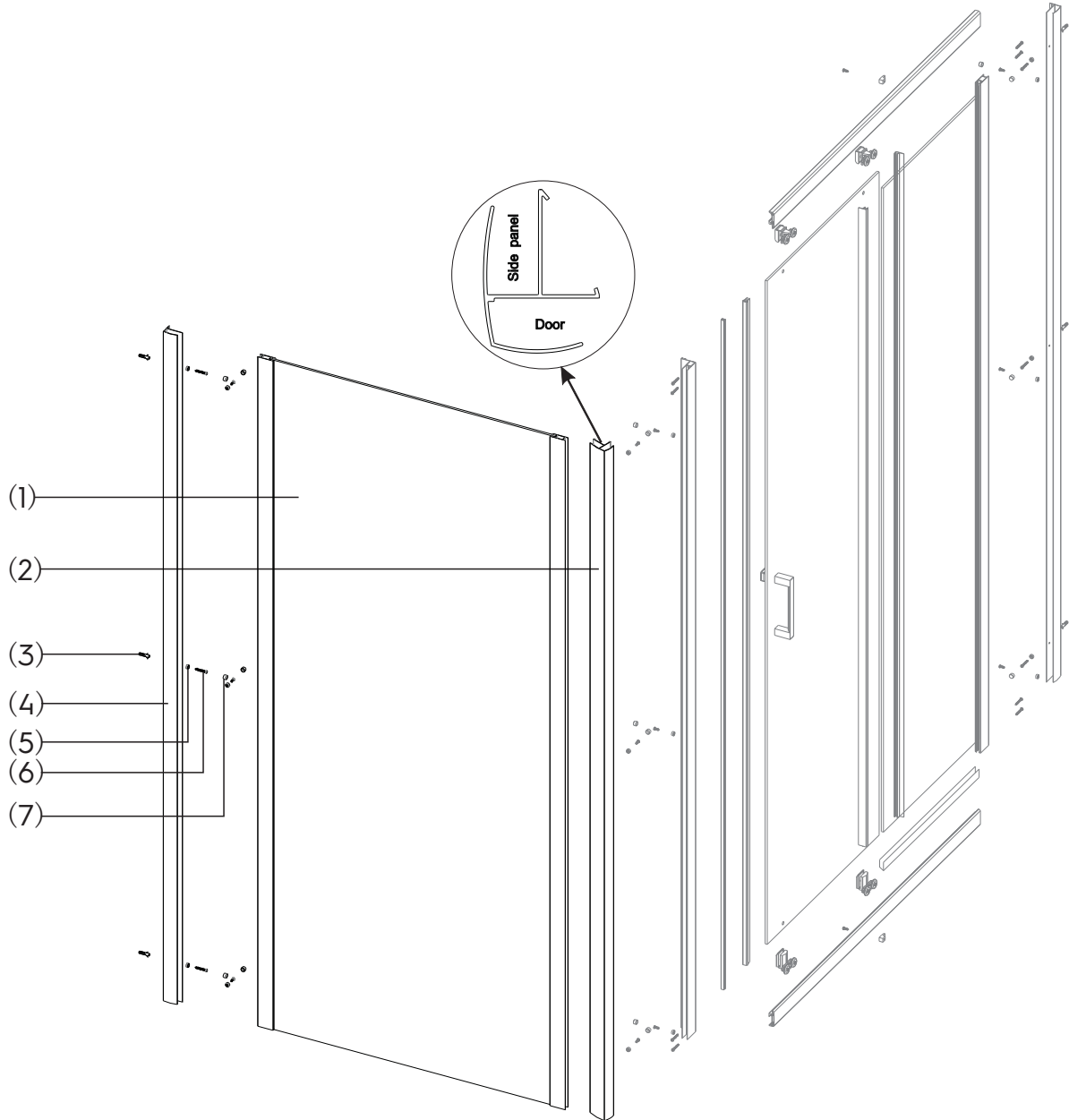
## TOOLS REQUIRED

DESCRIPTION	PART IMAGE	DESCRIPTION	PART IMAGE
Tape measure		Drill	
Spirit level		Flat-head Screwdriver	
Pencil		Cross head Screwdriver	 PZ1
Ø6mm Drill bit		Mallet	
Ø3mm Drill bit		Silicone Sealant	

 This product is heavy and may require two people to install.

# ASSEMBLY INSTRUCTIONS - DRAWING

NB: ALL MEASUREMENTS + COMPONENT SIZES QUOTED ARE IN MM.



## PACK I. D

- |   |                            |                     |
|---|----------------------------|---------------------|
| A | (1) 1x Side Panel          |                     |
| B | (2) 1x Corner Post Profile |                     |
| E | (3) 3x Wall Plugs          | } In Door Panel Box |
| B | (4) 1x Wall Profile        |                     |
| E | (5) 6x Screw Cover Clips   |                     |
| E | (6) 3x Screws 4x30         |                     |
| E | (7) 6x Screw Cover Caps    |                     |

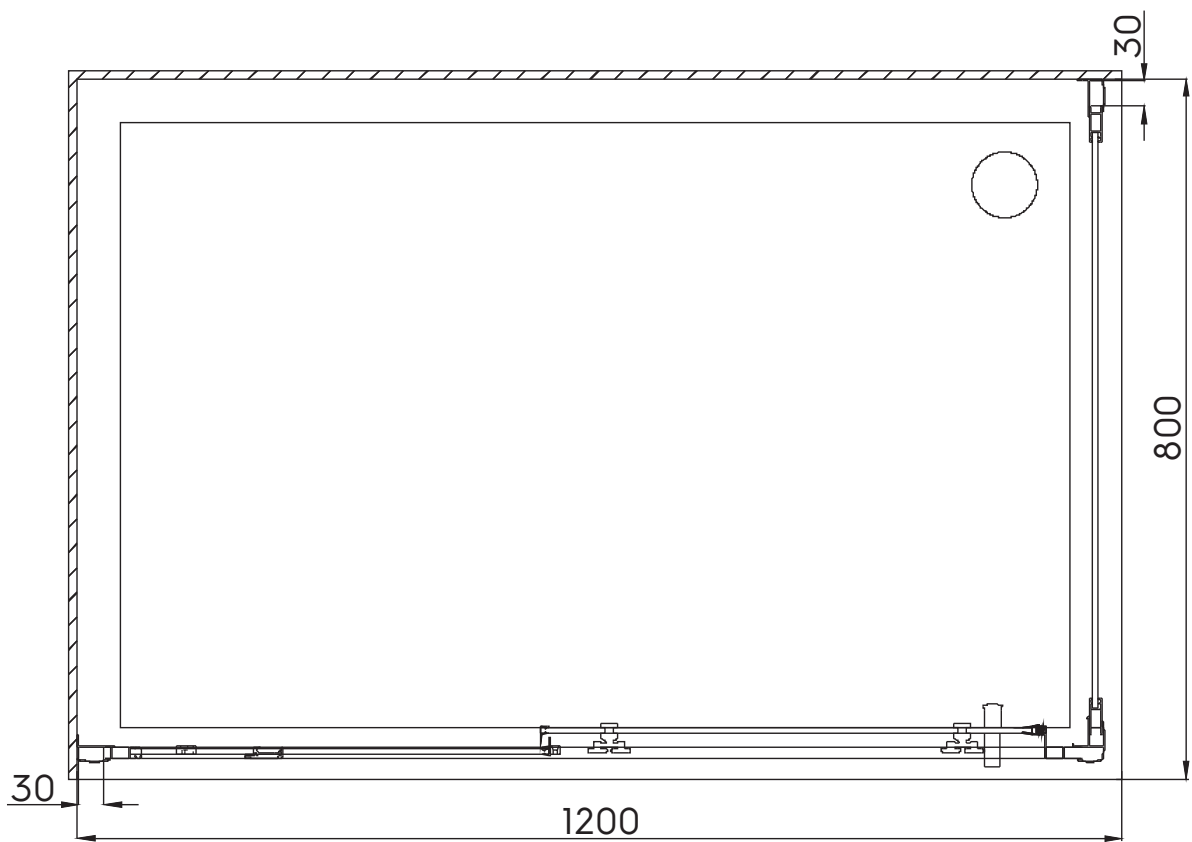
## ASSEMBLY INSTRUCTIONS

If you require help, we advise you to contact a competent plumber .

### Installation Steps

THESE DIMENSIONS ASSUME THE WALLS ARE PLUMB AND THE SHOWER TRAY IS LEVEL, AND THAT THE WALLS ARE TILED DOWN TO THE TOP OF THE TRAY USING A 10mm TILE/WET WALL PANEL.

### FITTED SIDE PANEL WITH SLIDING DOOR DRAWING

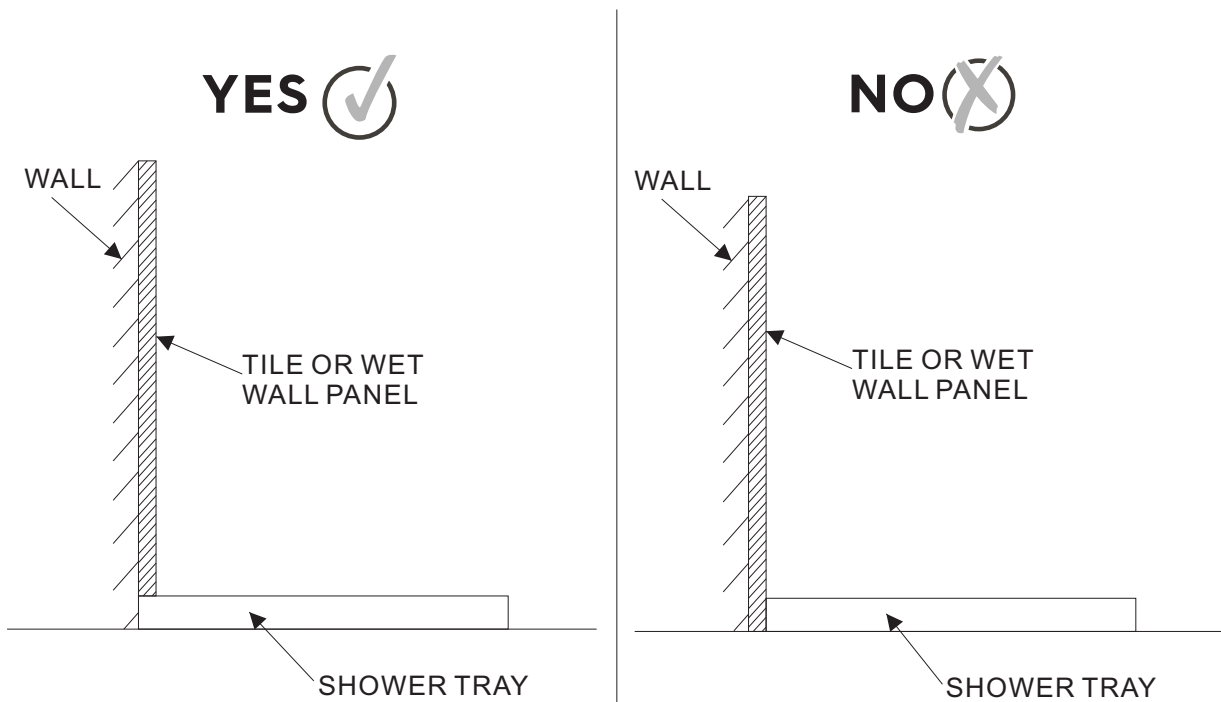


THESE INSTRUCTIONS REFER TO FITTING YOUR CHOSEN DOOR IN A CORNER, WITH THIS SIDE PANEL.

STEP 1 CHECK BOX CONTENTS ARE CORRECT AND THEN MEASURE KEY COMPONENTS.

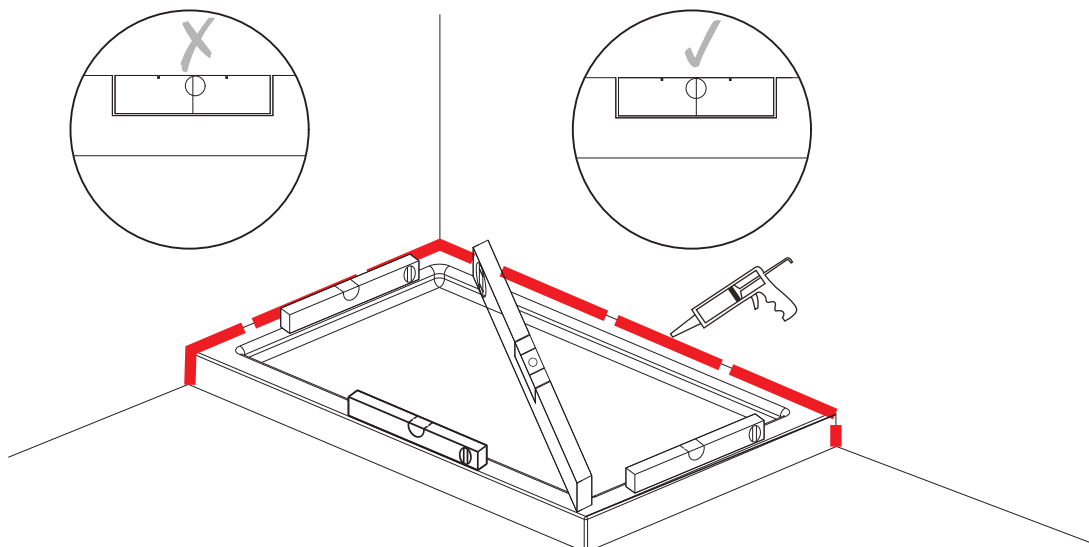
Measurement Matrix (before assembly)	Dimension in mm
Units supplied loose for self assembly	SPB80
Flat fixed panel glass (including fixed panel profiles if attached)	726x1850x6
Wall profiles	1850x44
Corner post profile	1850x53

STEP 2 DRAWING TO SHOW CORRECT SHOWER TRAY INSTALLATION



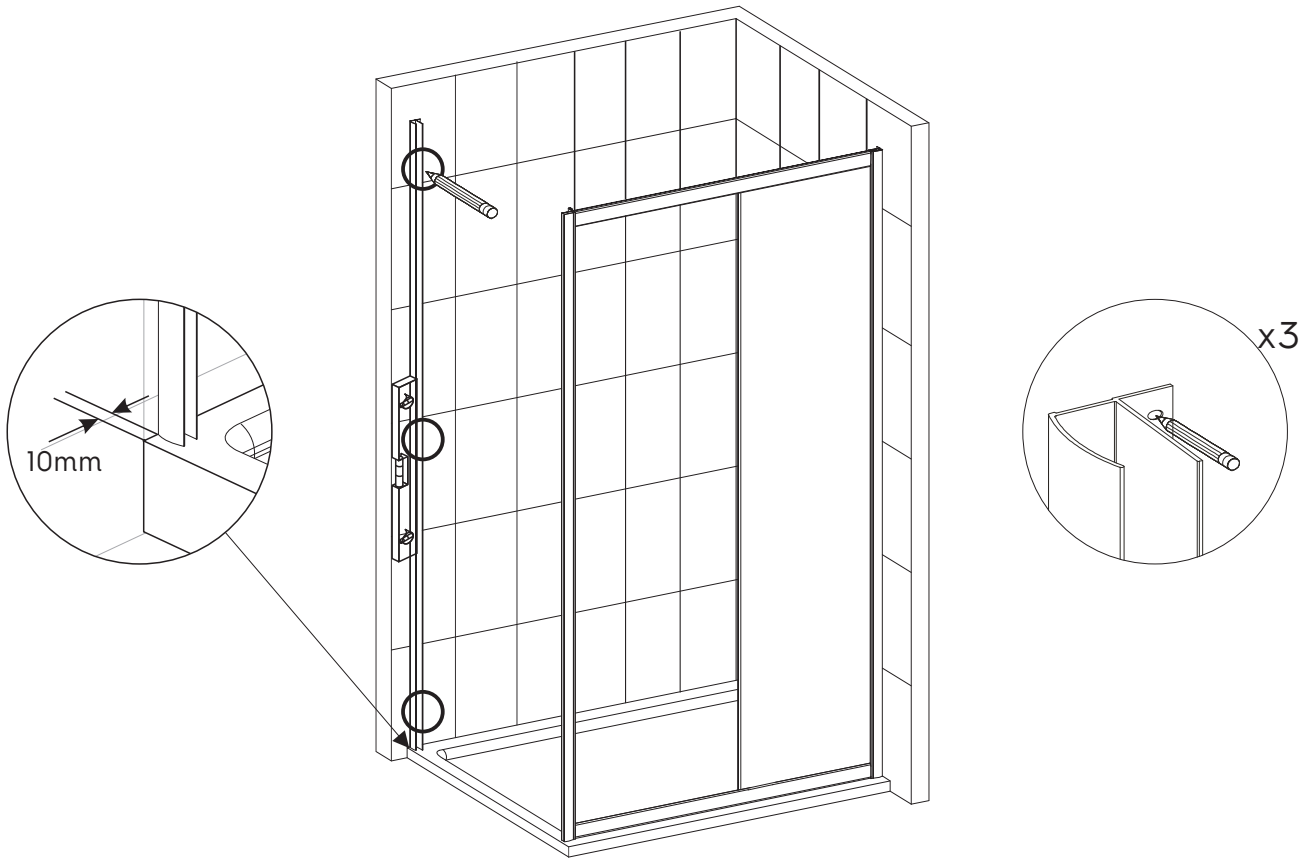
STEP 3 TRAY TO BE LEVEL

MAKE SURE THE TRAY IS LEVEL, USING A SPIRIT LEVEL, BEFORE INSTALLING THIS SHOWER PANEL / DOOR, AND THAT SILICONE IS APPLIED ON ALL SIDES WHERE THE TRAY MEETS THE TILES / WET WALL PANELS.

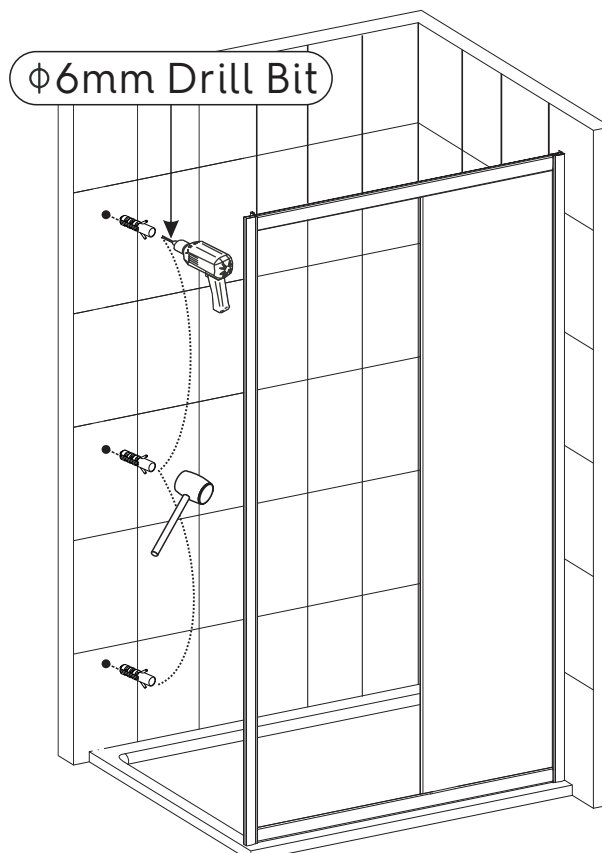


FOLLOW SLIDING DOOR ASSEMBLY STEPS 4 & 5, THEN CARRY ON USING THESE ASSEMBLY INSTRUCTIONS BELOW

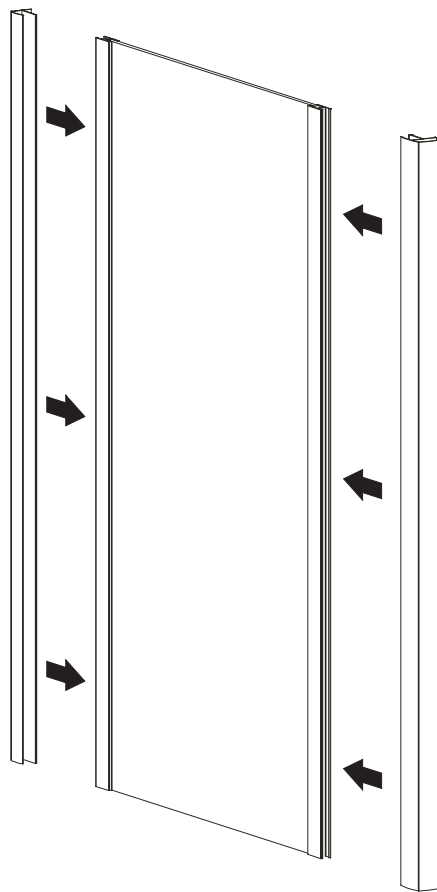
STEP 4 MARK THE CORRECT DRILL HOLE POSITIONS ON THE WALL



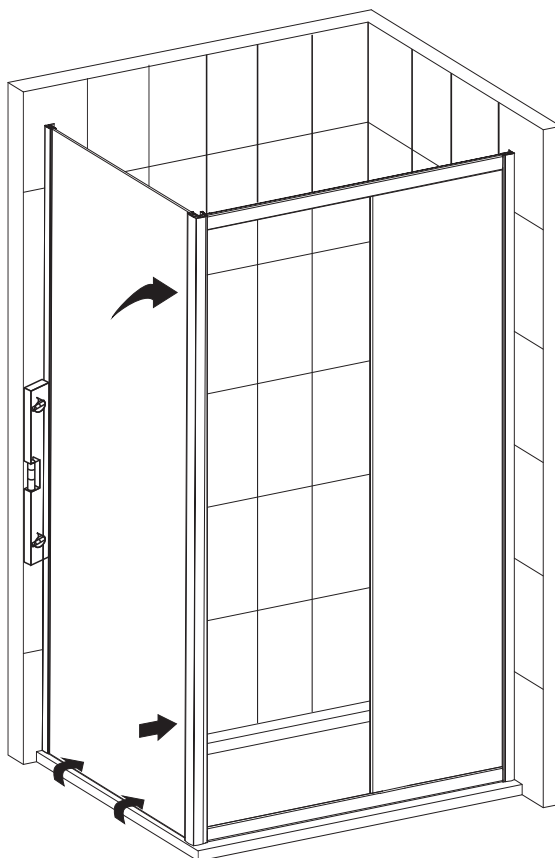
STEP 5 DRILL WALL HOLES



STEP 6 SLIDE WALL PROFILE AND CORNER POST ON TO THE SIDE PANEL

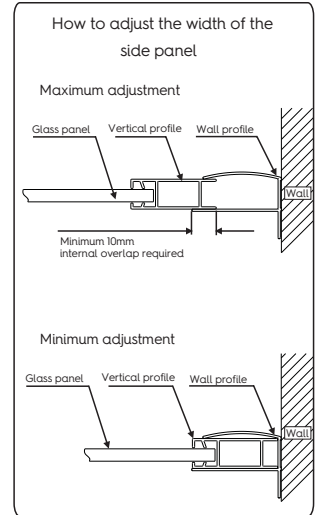
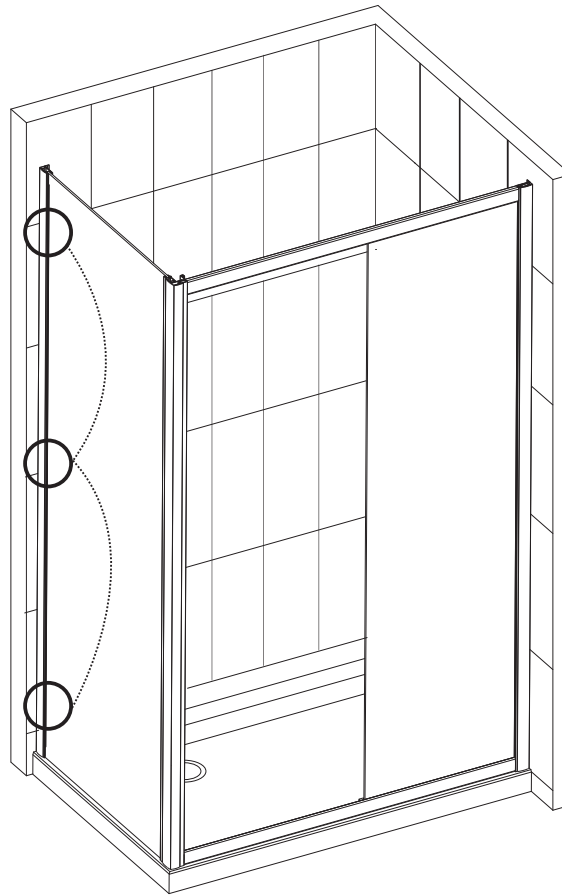
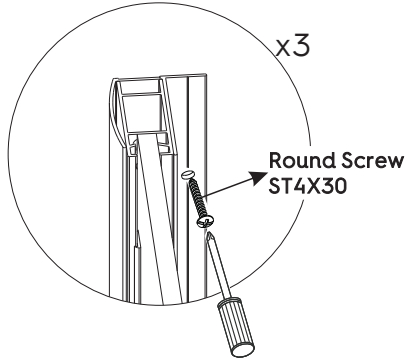


STEP 7 LIFT THE SIDE PANEL ONTO THE TRAY



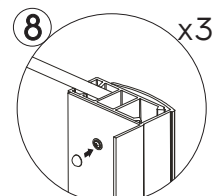
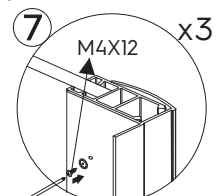
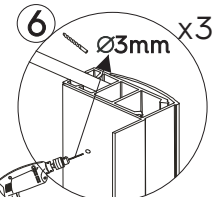
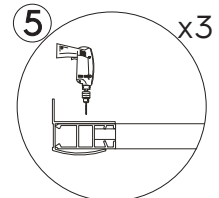
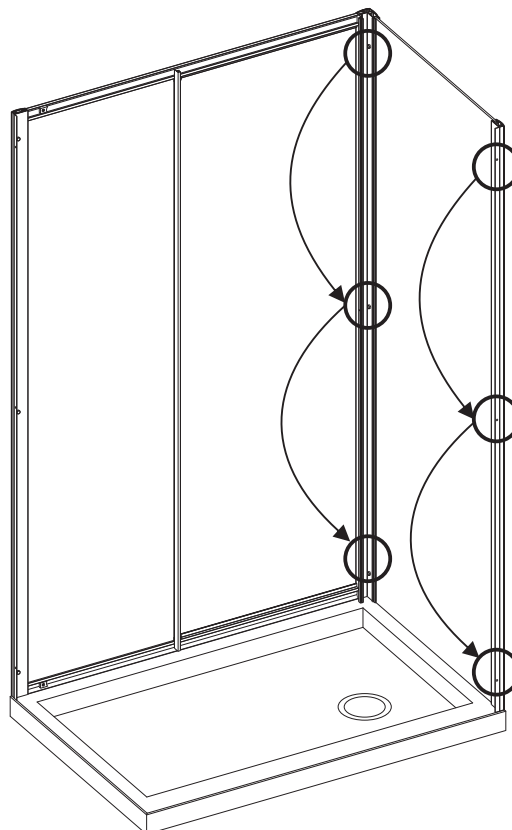
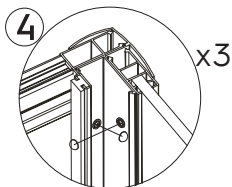
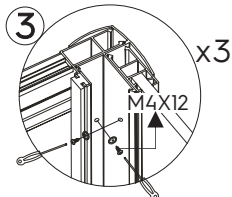
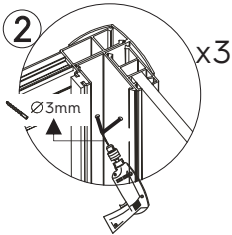
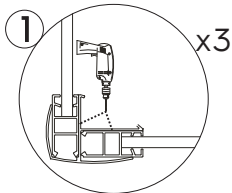
## STEP 8 SCREW THE WALL PROFILE TO THE WALL

VIEW FROM INSIDE



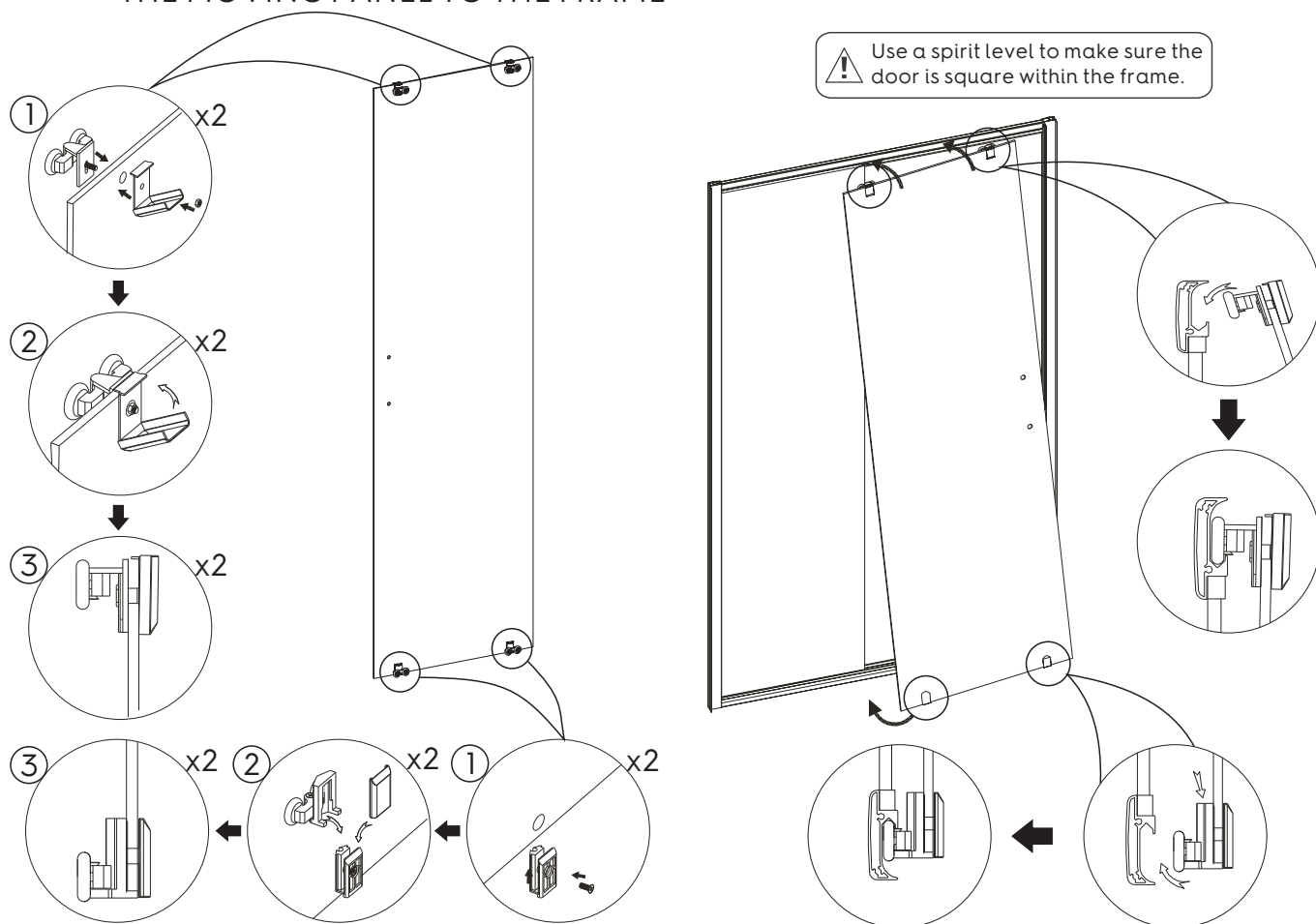
## STEP 9 SECURING THE SIDE PANEL

⚠ Take care not to drill into the glass.

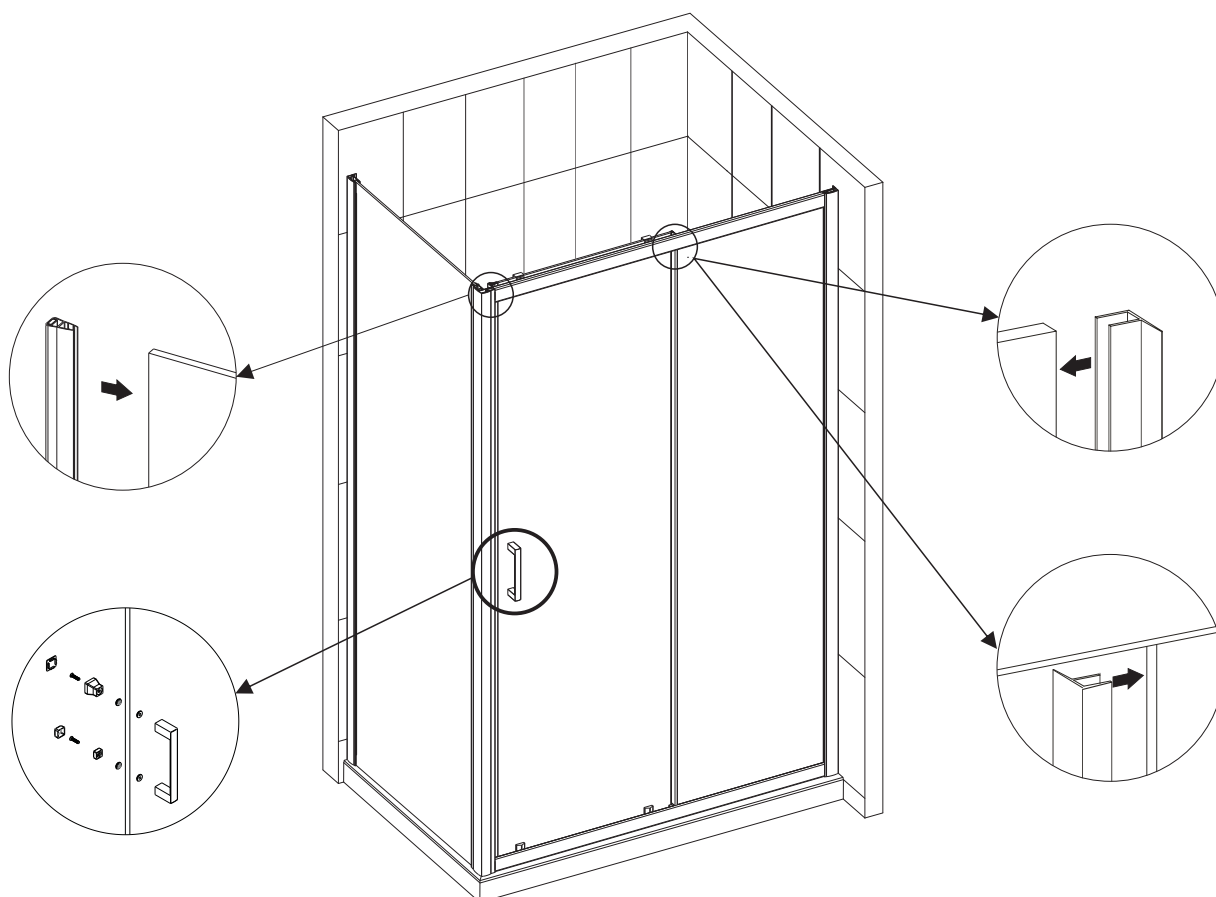




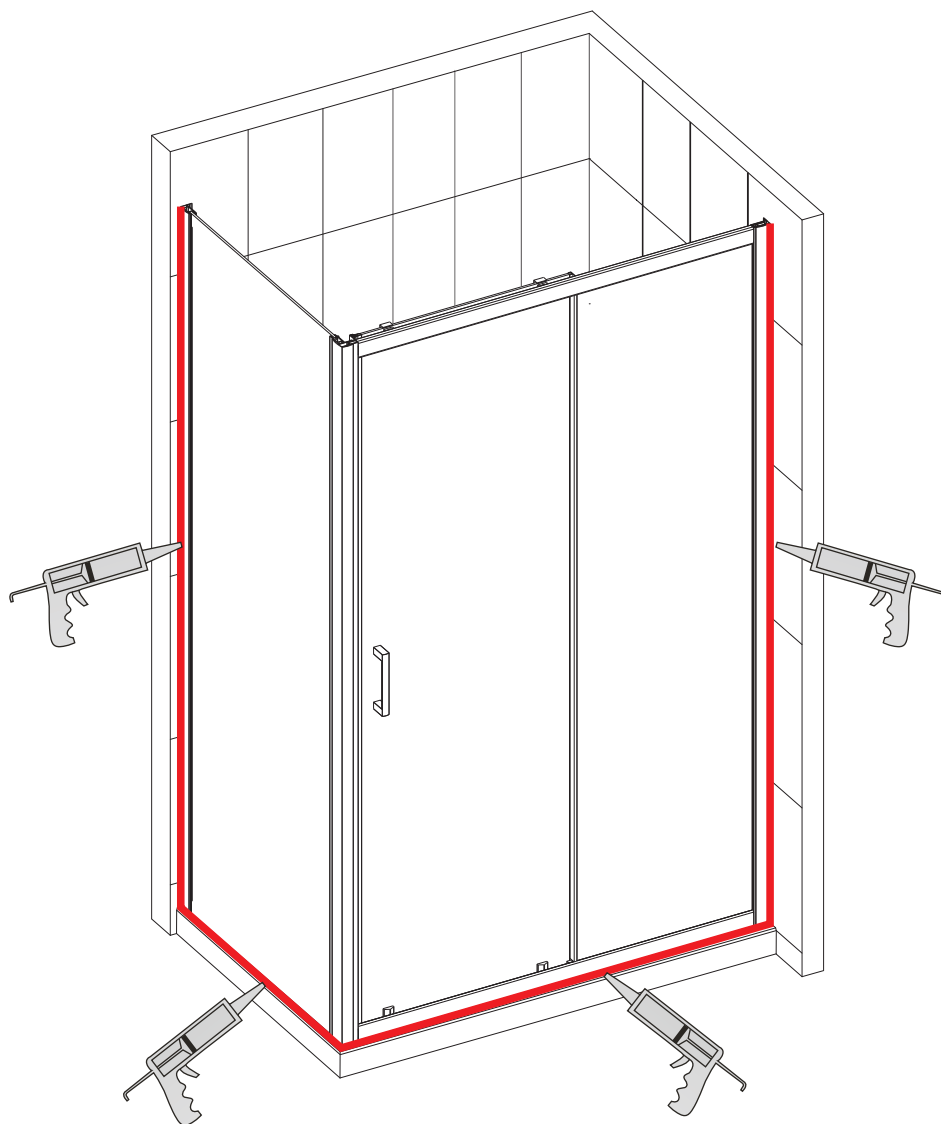
**STEP 10 FITTING THE TOP AND BOTTOM ROLLERS TO THE MOVING PANEL, AND ATTACHING THE MOVING PANEL TO THE FRAME**



**STEP 11 INSTALLING VERTICAL SEALS, AND FITTING HANDLE**



STEP 12 SILICONE THE OUTSIDE EDGES



Silicone ( outside edge only)where the vertical profile meet the wall , and the horizontal profile meets the tray

# CARE AND MAINTENANCE

## 1) AFTER CARE INSTRUCTIONS

Regularly clean your shower product with warm soapy water to prevent lime scale build up. Do not use abrasive cleaning fluids or materials, or strong chemical cleaners as this will damage the product surface.

## 2) MAINTENANCE

Clean the plastic parts with a cloth and mild detergent. Never use any abrasive creams, dissolvents, acetone or detergents and disinfectants that contain chlorine. The supplier accepts no liability for any type of use of care other than those contained in these instructions. The supplier reserves the right to introduce technical changes without notice.

---

## COMMITMENT TO QUALITY

It is our intention that the quality and functions of this product are of the highest standard. If you require help we advise you firstly contact a competent plumber. However we understand that this may not always be the case, so should you experience any problems please contact our customer services quoting the following:

Product name: Side Panel For 6mm Sliding Shower Door

Product code: SPB80

Customer help line number:0344 804 48 48



Victoria Plum Limited, Bridgehead Business Park  
Hesle, HU13 0DG

13/14/16

EN 14428:2004+A1:2008

DOP No.:2013102/2014612/J160318001-1

Shower enclosures with aluminium  
profiles and safety glass

Essential characteristics	Performance	Harmonised technical specification
Cleanability	Pass	Clause 4.2 of EN 14428:2004+A1:2008
Impact resistance/shatter properties	Pass	Clause 4.3 of EN 14428:2004+A1:2008
Durability	Pass	Clause 4.4 of EN 14428:2004+A1:2008

The packaging you have received with your product is 100% recyclable.  
It must be disposed of in a safe and environmentally friendly way.  
We suggest you take it to the local landfill site and discard in the designated bins.