

TUF100CCP

Commercial Shower Range Concealed Timed Flow Control for Water Economy



Features:

- 25 second time delay (+5/-10 secs)
- Operates showers or urinals
- Minimum working pressure 0.2 bar
- 15mm inlet and outlet connections
- Max. inlet pressure 3.0 bar

Product Certifications:



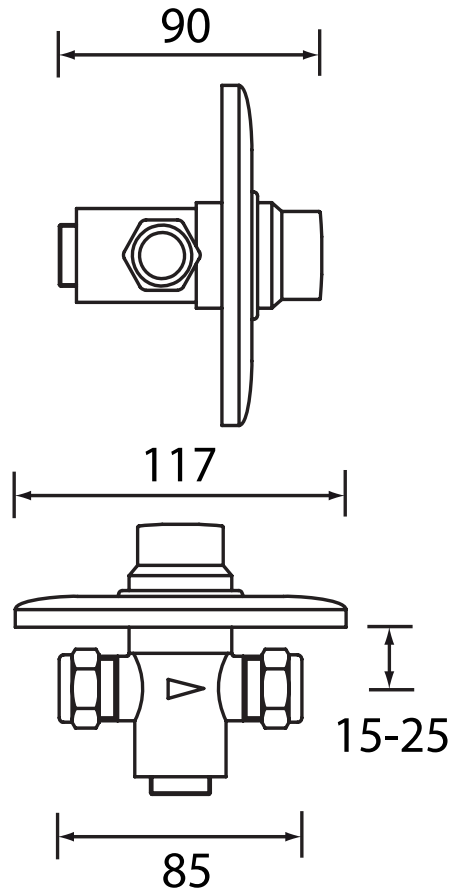
For more products, visit our website:
<http://www.bristan.com>



Specification

Style:	Utility
Finish/Colour:	Chrome
Main Construction Material:	Brass
No of Controls:	1
Shower Type:	Timed Flow
Valve/Cartridge Type:	Manual
Maximum Hot Water Supply Temperature °C:	65
Maximum Static Pressure: (bar)	10
Plumbing System Suitability:	All - Ideally Balanced
Working Pressure Range:	Min. 0.2 Bar - Max. 5.0 Bar
Connection Inlet:	15mm
Connection Outlet:	15mm

Dimensions (measurements in mm)



Flow Rates (l/min)

System Pressure (bar)	0.2	0.5	1	2	3	5
Through Handset (mixed)	6	9	13	18	22	30

TECHNICAL
DATA
SHEET



BRISTAN

D3