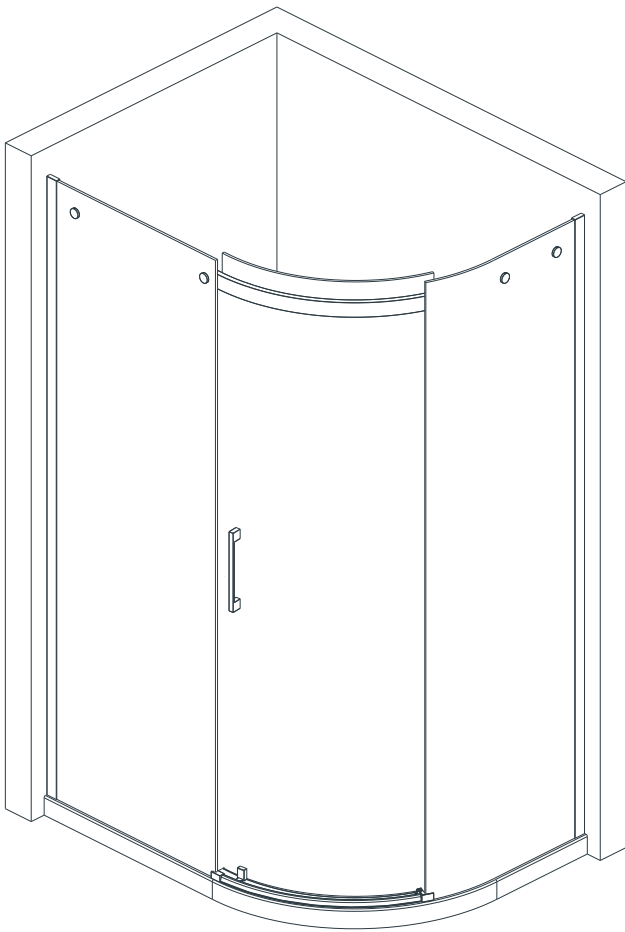


MODE

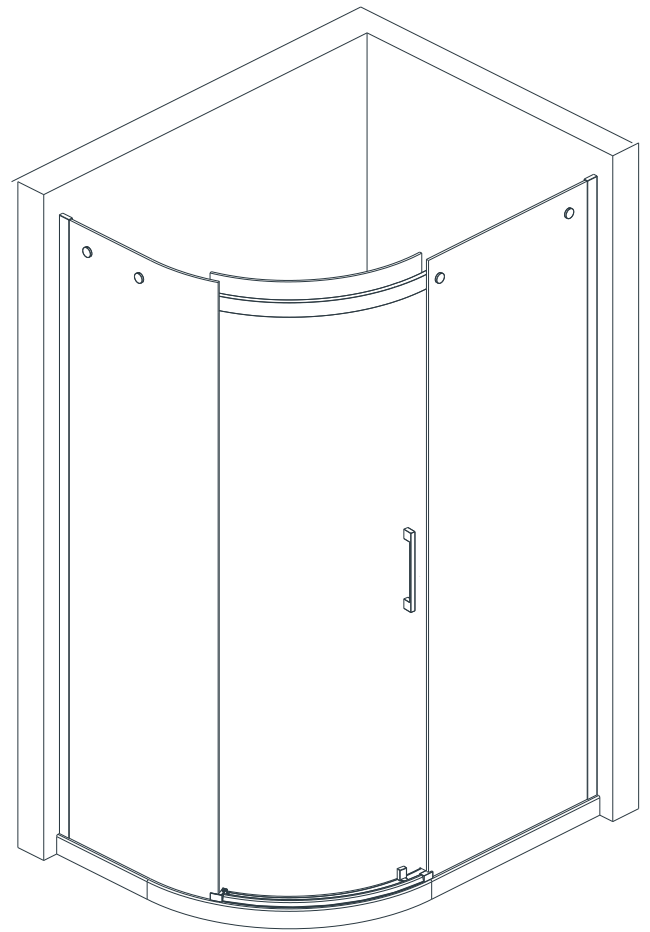
BATHROOMS

8mm ONE DOOR OFFSET QUADRANT

Refer To Sheet 9 For Relevant Product Codes



RH



LH

Handle is supplied in separate carton (H).

RIGHT HAND ILLUSTRATED

Exclusively available @

VictoriaPlum.com

VictoriaPlum.com

0344 804 48 48

BEFORE YOU START, HERE IS SOME IMPORTANT INFORMATION

1) General Information

Please inspect this product upon delivery, any missing parts or manufacturing defects must be reported immediately to the supplier. Damage or defects reported later will not be accepted. **TAKE CARE WHEN HANDLING GLASS PARTS - AVOID HEAVY CONTACT BETWEEN THE GLASS EDGES AND ANY HARD SURFACE.**

Glass breakage claims will not be accepted after the product has been unpacked.

Please note: Aluminium is a soft metal, and undergoes a series of extrusion, fabrication, polishing and anodising processes in order to create your finished shower enclosure. Some light surface marks are normal, and is a result of the manufacturing processes. Quality control has ensured that this item is of a good standard, and is fit for purpose.

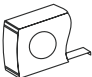


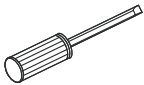

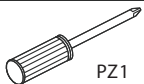

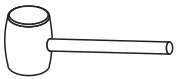
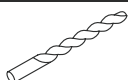

2) Additional Notes

Please read these instructions carefully before starting installation.

Special care should be taken when drilling walls to avoid hidden pipes or electrical cables.

Note: this product is heavy and may require two people to install.

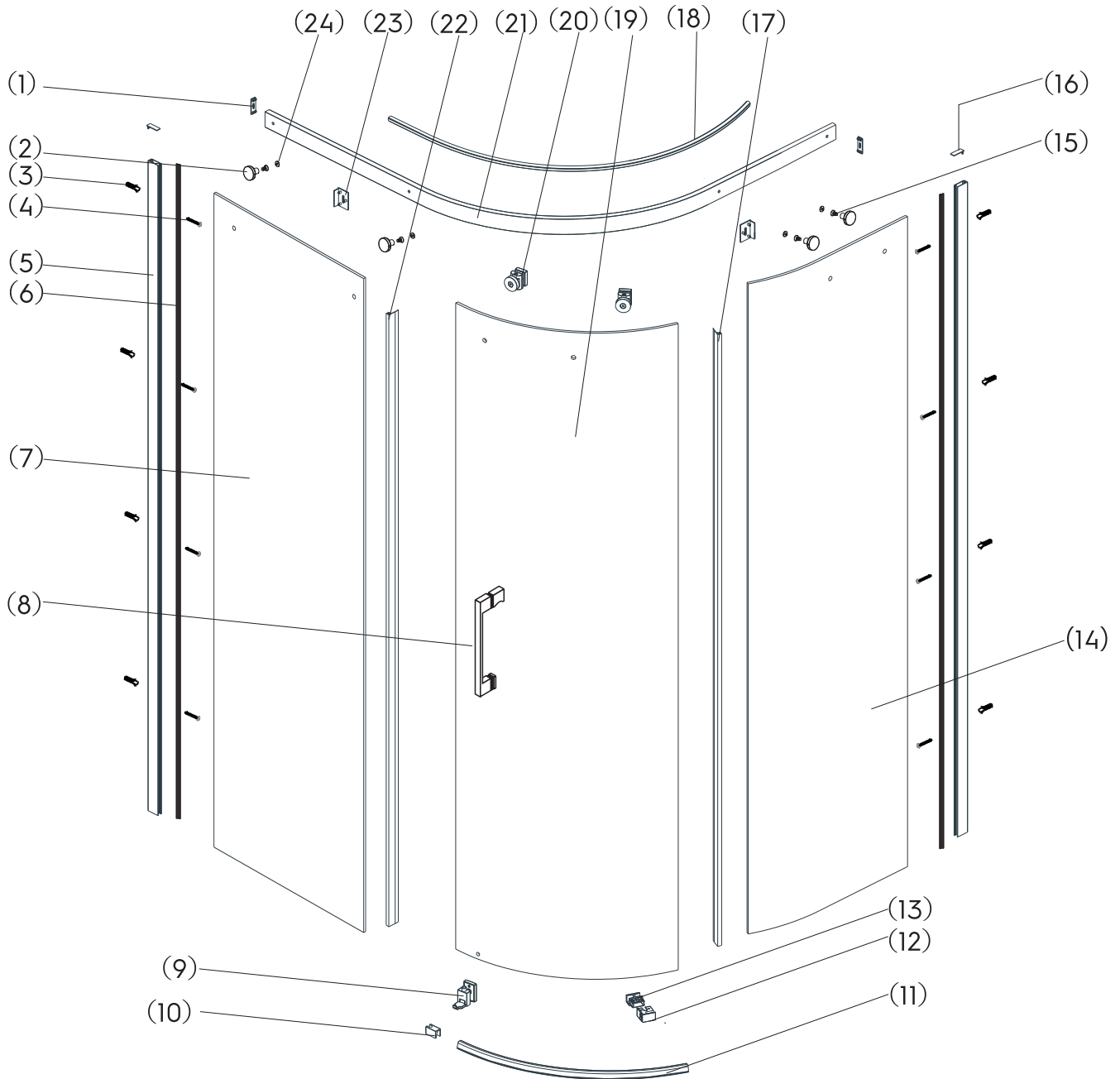
TOOLS REQUIRED

DESCRIPTION	PART IMAGE	DESCRIPTION	PART IMAGE
Tape measure		Drill	
Spirit level		Flat-head Screwdriver	
Pencil		Cross head Screwdriver	
Ø6mm Drill bit		Mallet	
Ø3mm Drill bit		Silicone Sealant	

 This product is heavy and may require two people to install.

ASSEMBLY INSTRUCTIONS - DRAWING

NB: ALL MEASUREMENTS + COMPONENT SIZES QUOTED ARE IN MM.



PACK I.D

- E (1) 2x Cover Caps (Guide Rail)
- E (2) 4x Glass To Rail Brackets
- E (3) 8x Wall Plugs
- E (4) 8x Screws 4x30
- B (5) 2x Wall Profiles
- E (6) 2x Wedge Gasket Seals
- A (7) 1x Fixed Panel A
- H (8) 1x Handle (8mm Supplied Separately)
- E (9) 1x Bottom Sliding Block
- E (10) 1xDrip Strip End Cap
- B (11) 1x Drip Strip
- E (12) 1xBottom Guide Block A

PACK I.D

- E (13) 1x Bottom Guide Block B
- A (14) 1x Fixed Panel B
- E (15) 4x Screws
- E (16) 2x Wall Profile Cover Caps
- C (17) 1x Fixed Panel Seal
- C (18) 1xTop Seal
- A (19) 1x Moving Panel
- E (20) 2x Rollers
- B (21) 1x Top Profile
- C (22) 1x Fixed Panel Seal
- E (23) 2x Bump Stop Caps
- E (24) 4x Screw Caps

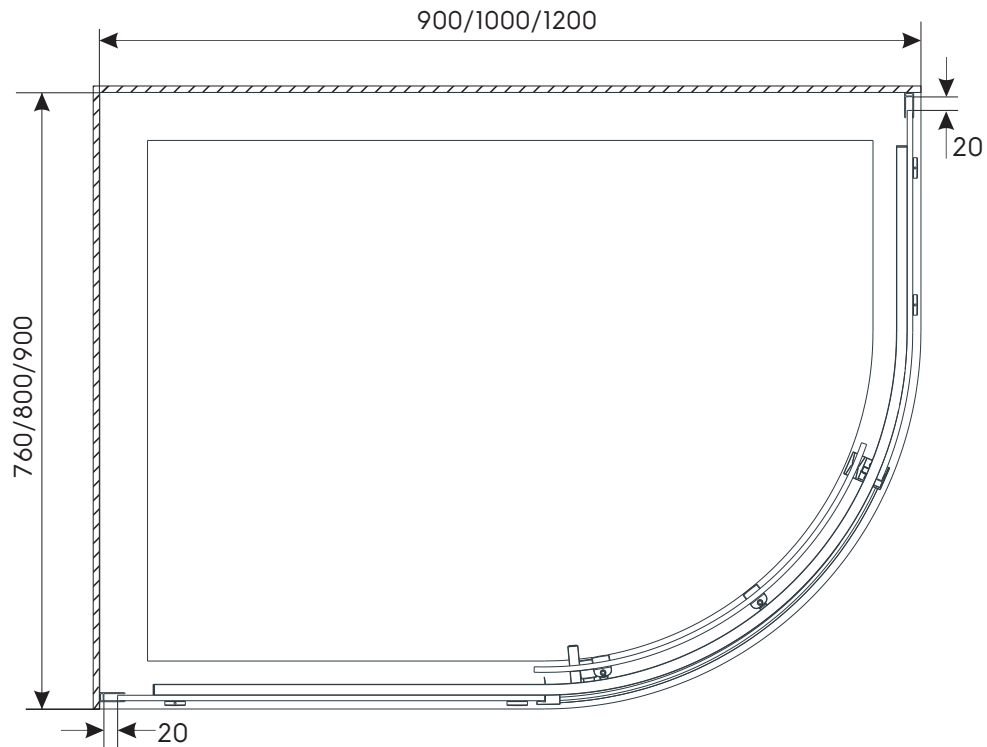
ASSEMBLY INSTRUCTIONS

If you require help, we advise you to contact a competent plumber.

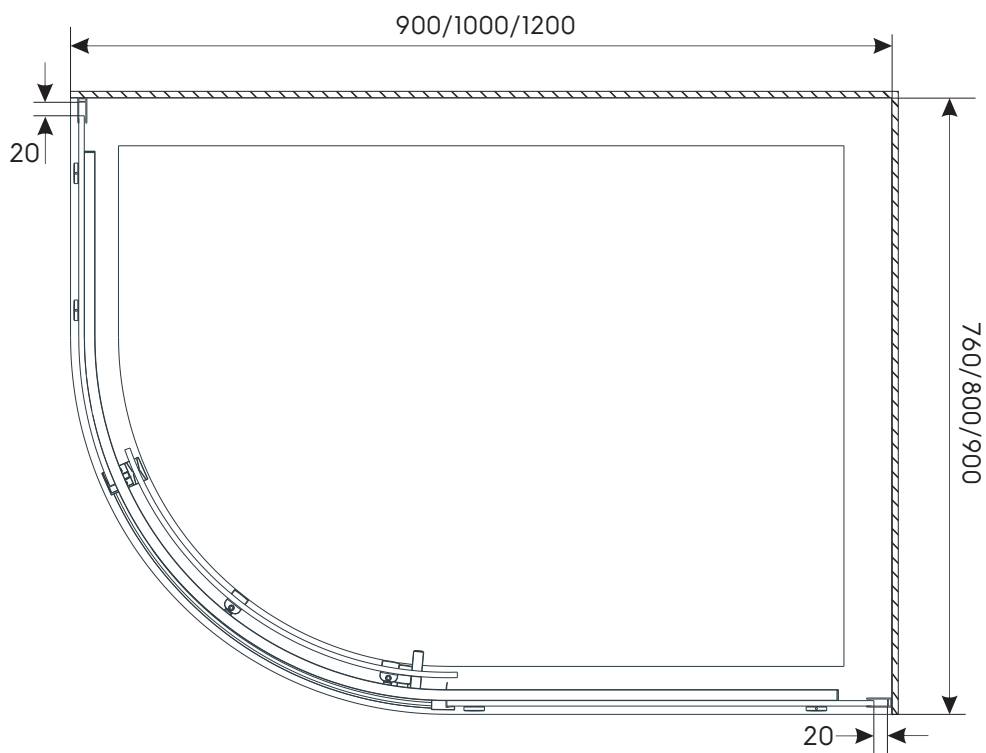
Installation Steps

THESE DIMENSIONS ASSUME THE WALLS ARE PLUMB AND THE SHOWER TRAY IS LEVEL, AND THAT THE WALLS ARE TILED DOWN TO THE TOP OF THE TRAY USING A 10mm TILE/WET WALL PANEL.

FITTED ONE DOOR QUADRANT DRAWING



LH



RH

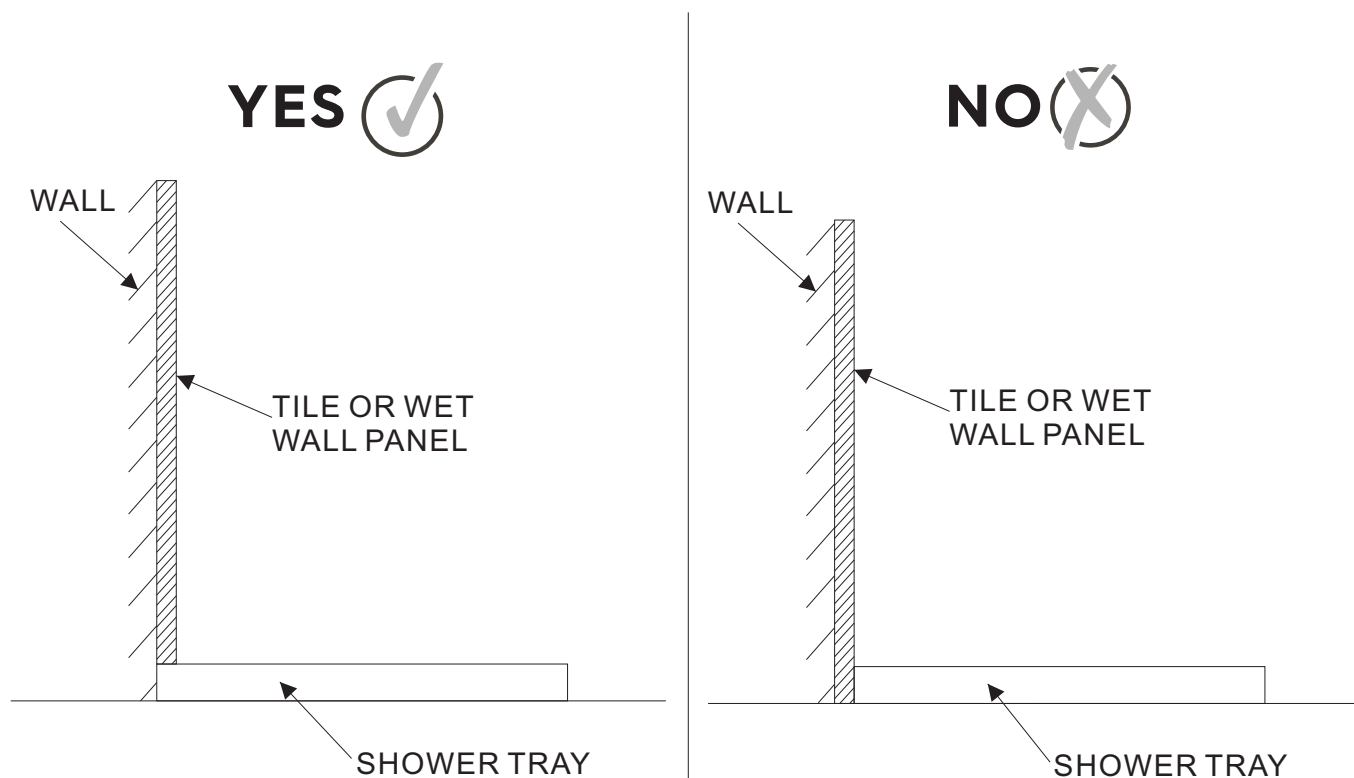
STEP 1 CHECK BOX CONTENTS ARE CORRECT AND THEN MEASURE KEY COMPONENTS.

Measurement Matrix (before assembly)

Dimension in mm

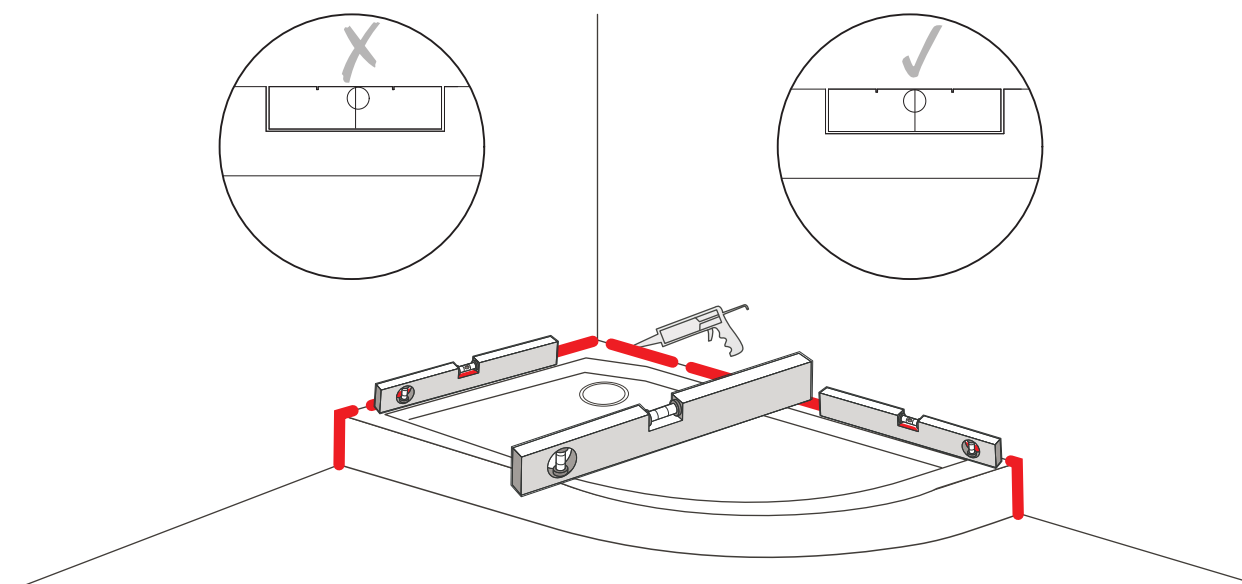
Units supplied loose for self assembly	DQD9762L	DQD9762R	DQD8102L	DQD8102R	DQD8122L	DQD8122R	DQD9122L	DQD9122R
Top horizontal profiles	1243	1243	1383	1383	1583	1583	1673	1673
Moving panel glass	1938x580x8	1938x580x8	1938x580x8	1938x580x8	1938x580x8	1938x580x8	1938x630x8	1938x630x8
Flat fixed panel glass	1950x324x8	1950x324x8	1950x424x8	1950x424x8	1950x624x8	1950x624x8	1950x624x8	1950x624x8
Curved fixed panel glass	1950x457x8	1950x457x8	1950x497x8	1950x497x8	1950x497x8	1950x497x8	1950x547x8	1950x547x8
Wall posts	1950x37	1950x37	1950x37	1950x37	1950x37	1950x37	1950x37	1950x37

STEP 2 DRAWING TO SHOW CORRECT SHOWER TRAY INSTALLATION

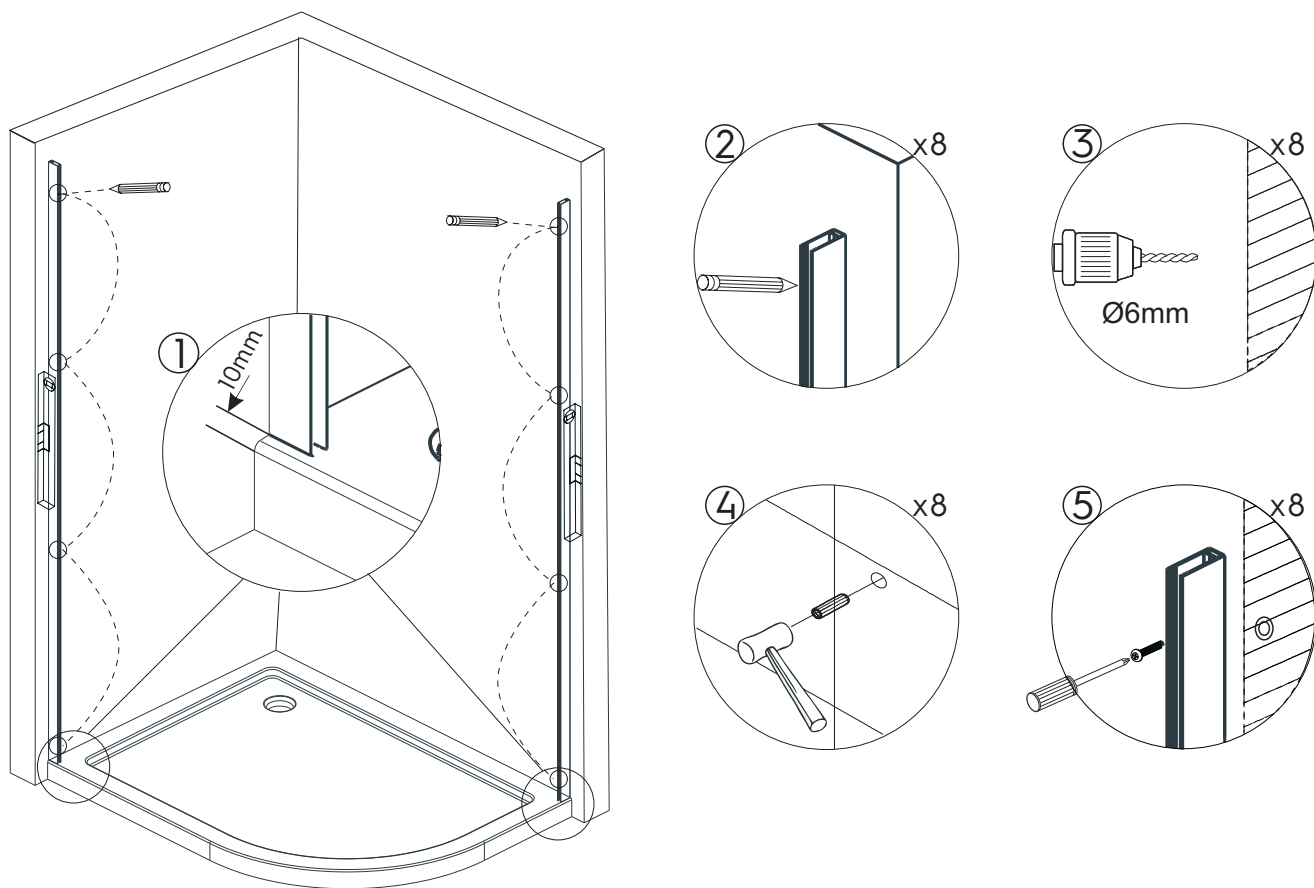


STEP 3 TRAY TO BE LEVEL

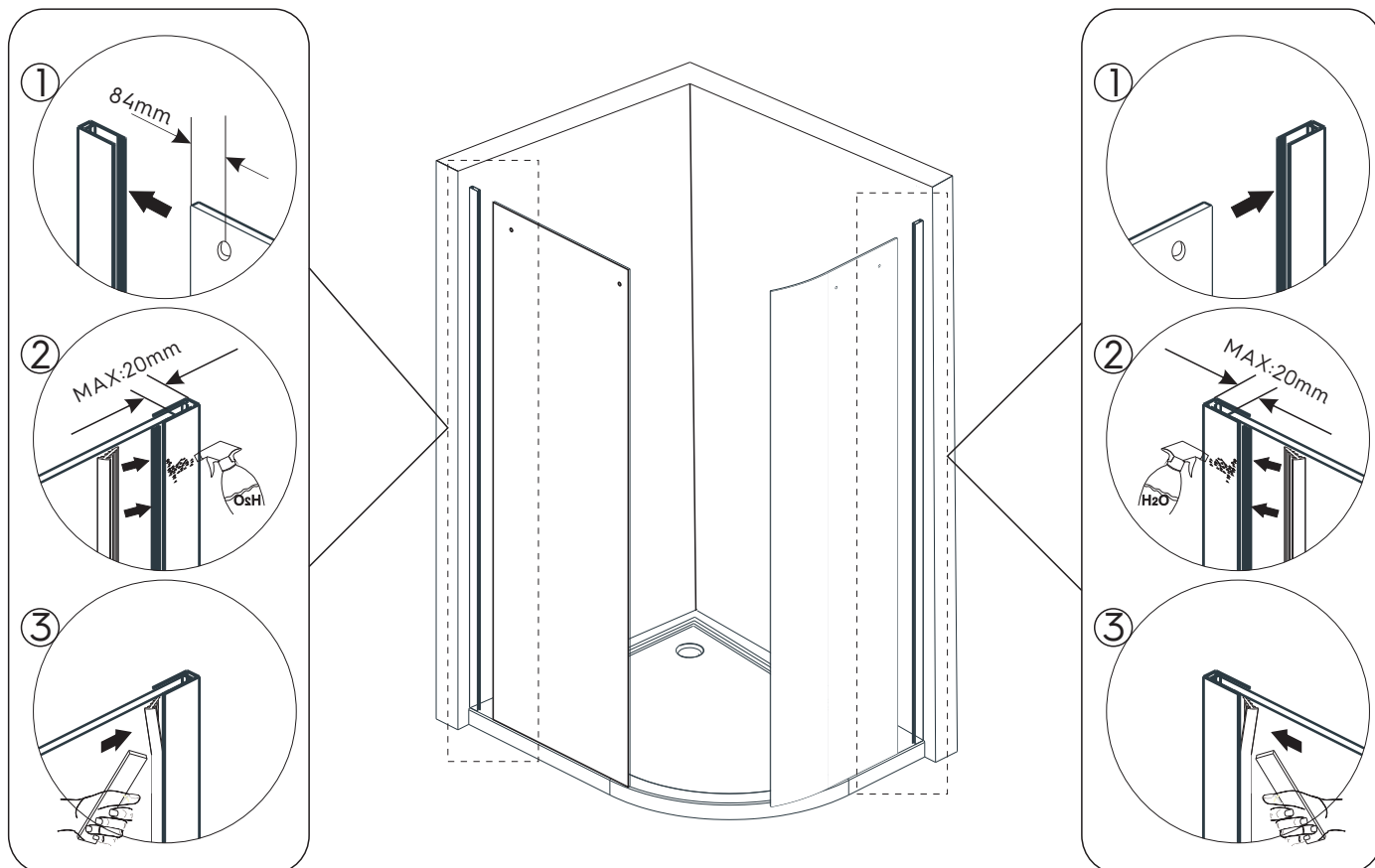
MAKE SURE THE TRAY IS LEVEL, USING A SPIRIT LEVEL, BEFORE INSTALLING THIS SHOWER PANEL / DOOR, AND THAT SILICONE IS APPLIED ON ALL SIDES WHERE THE TRAY MEETS THE TILES / WET WALL PANELS.



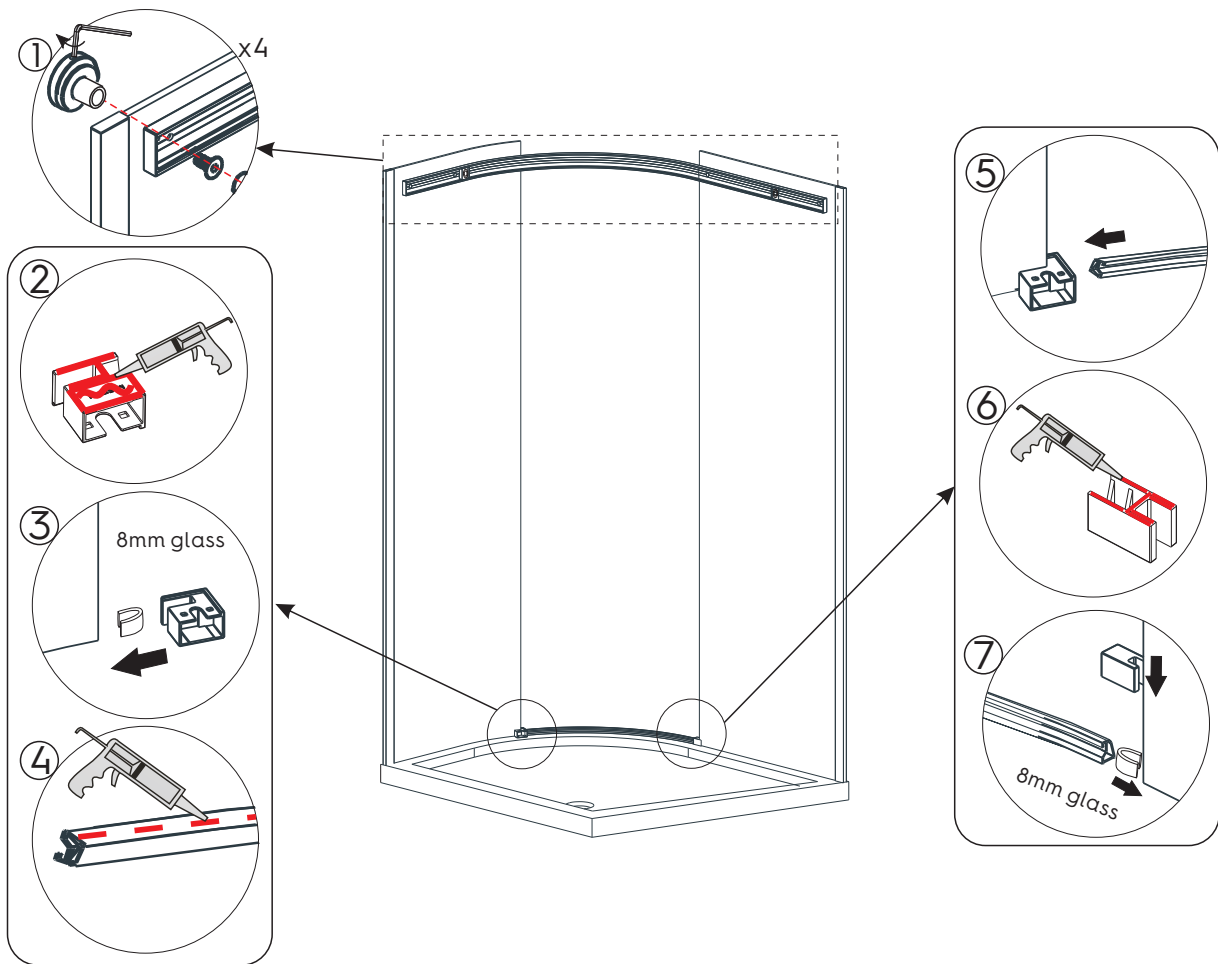
STEP 4 DRILLING WALL PROFILES TO THE WALL



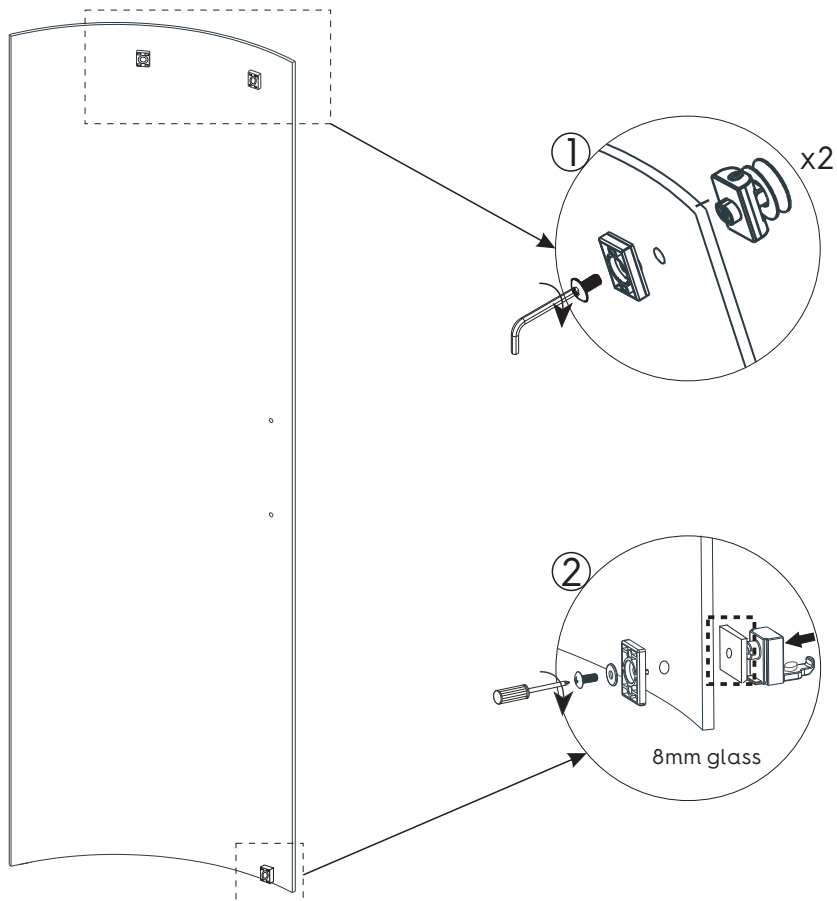
STEP 5 FITTING THE FIXED PANELS



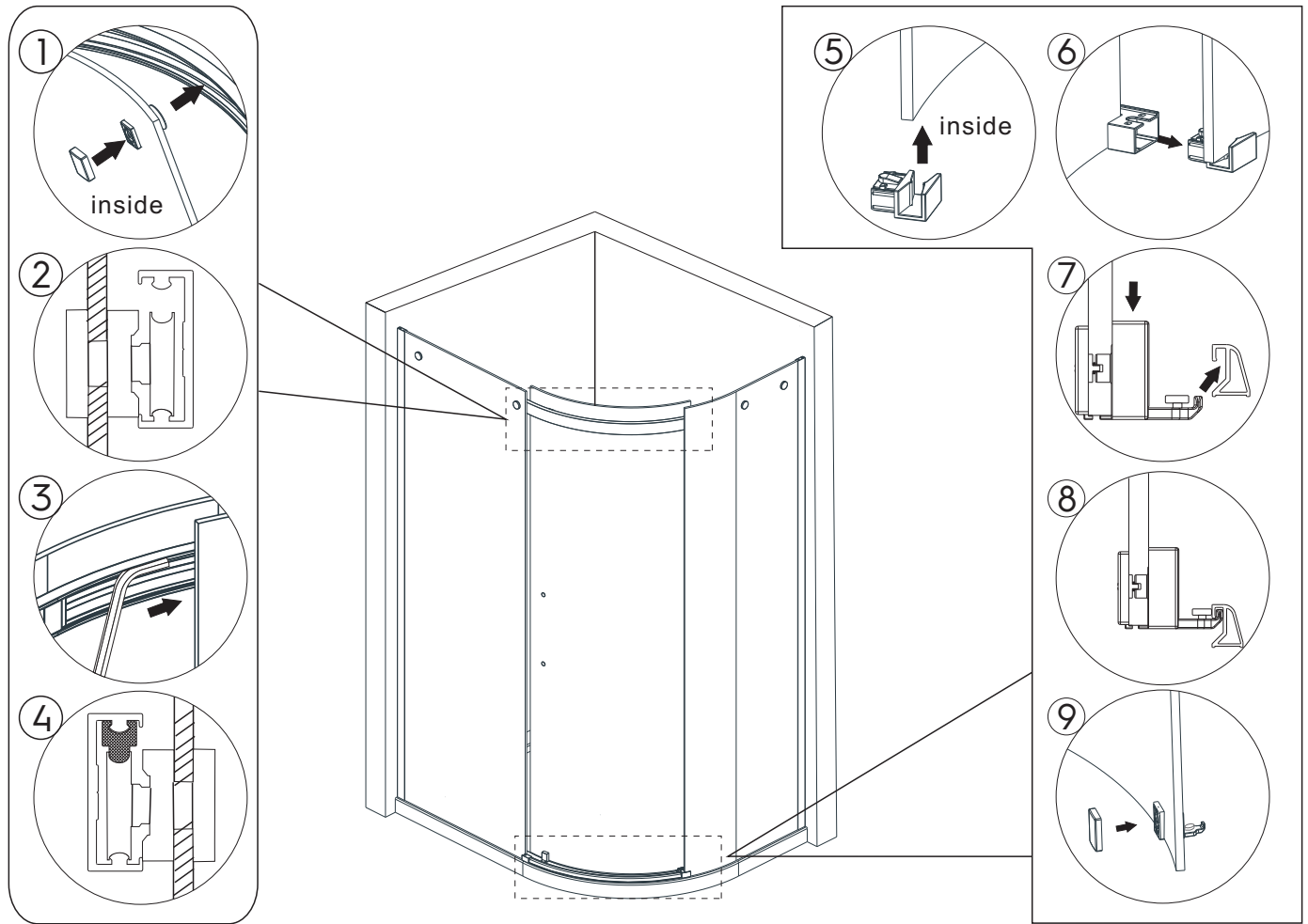
STEP 6 FITTING THE TOP PROFILE AND THE BOTTOM DRIP STRIP



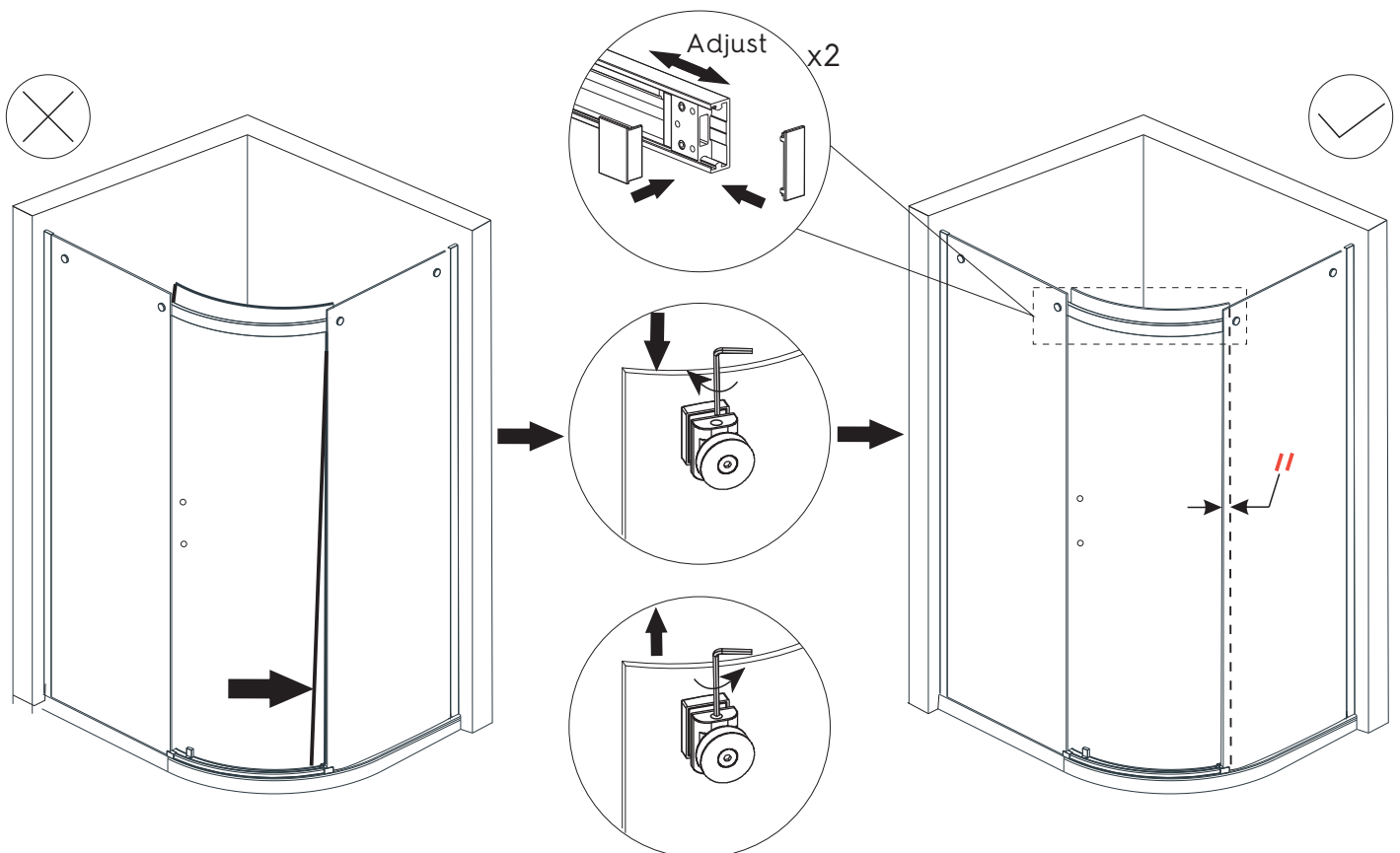
STEP 7 FITTING THE ROLLERS



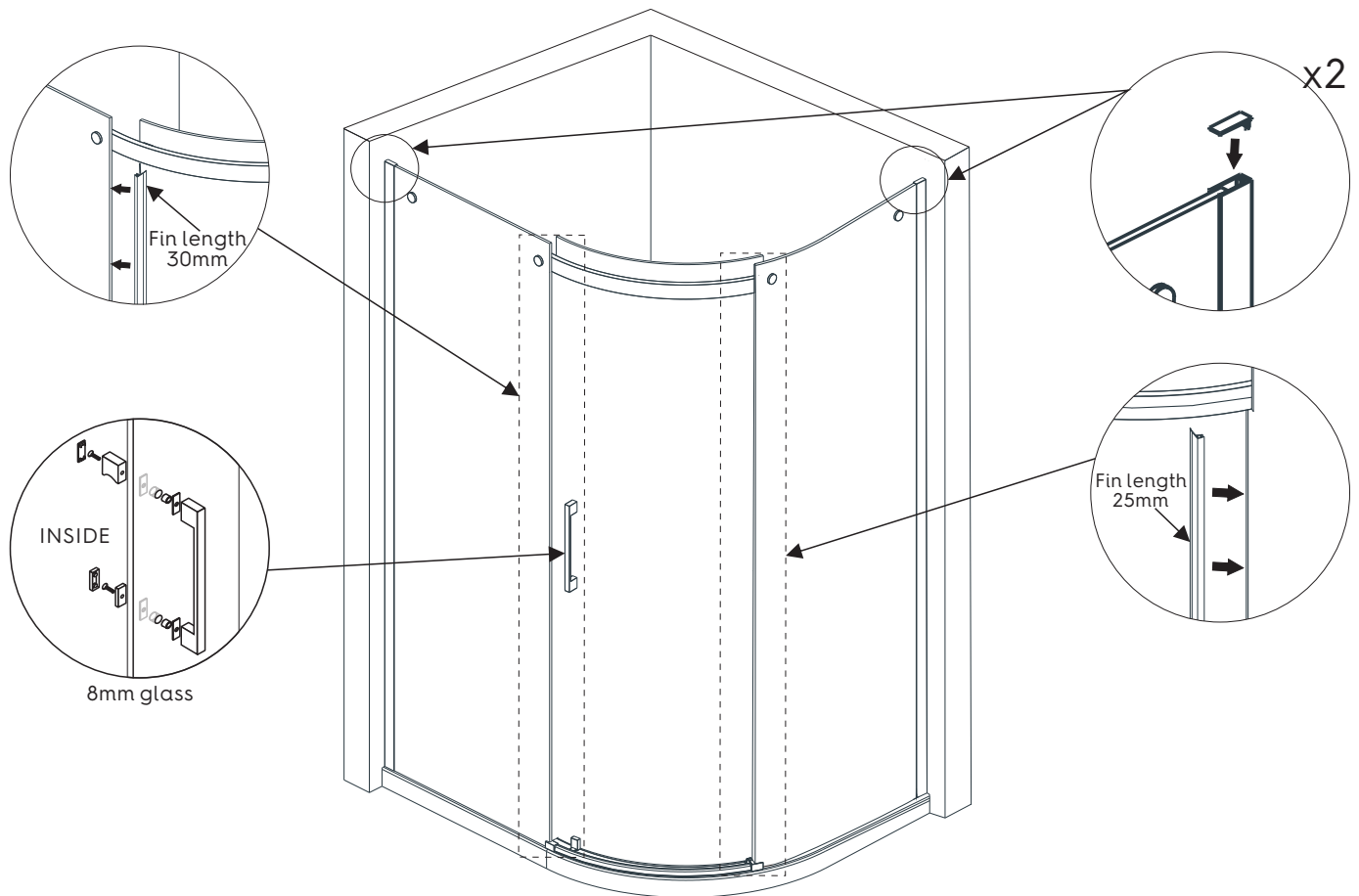
STEP 8 ASSEMBLING THE GLASS TO RAIL BRACKETS, AND BOTTOM GUIDE BLOCKS



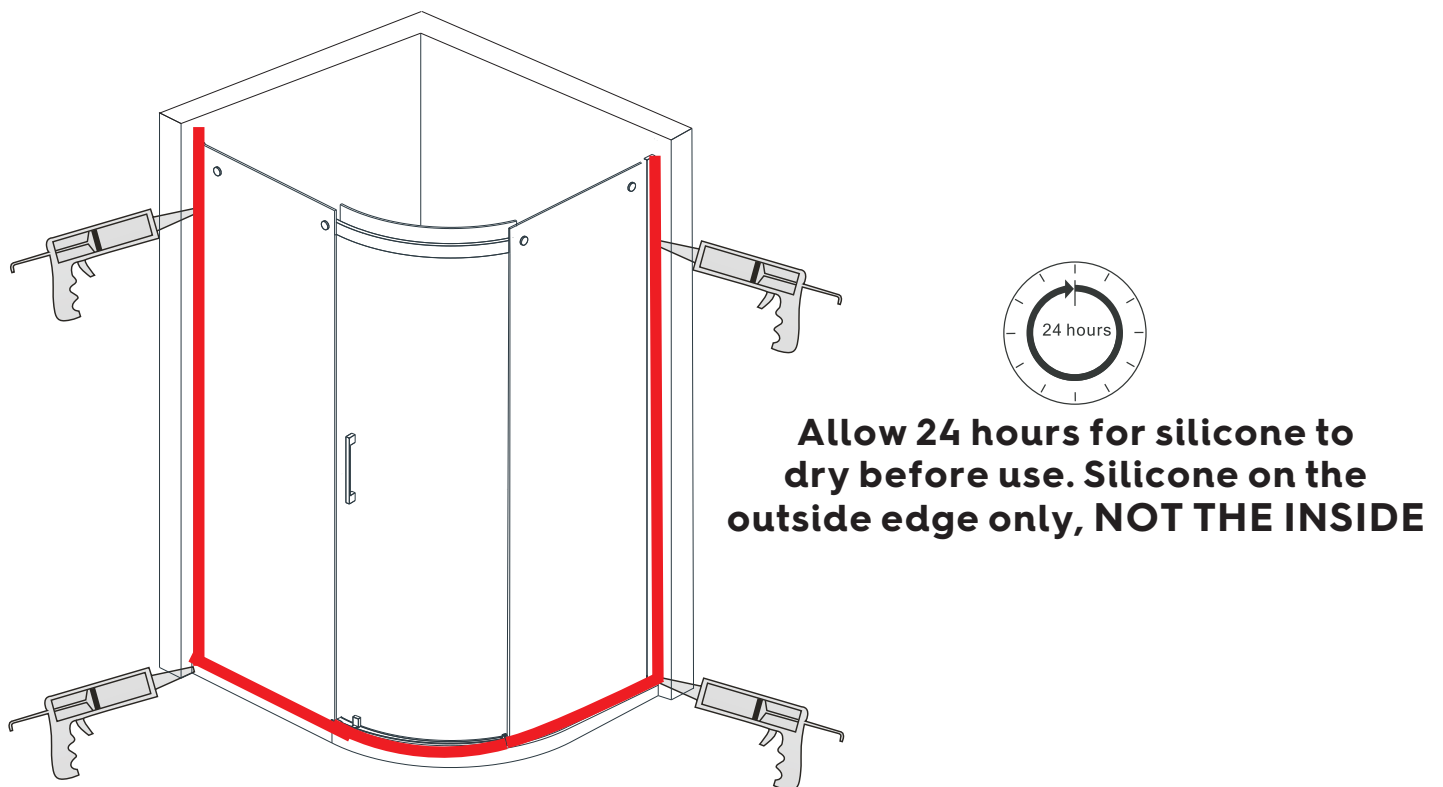
STEP 9 ADJUSTING THE MOVING PANEL AND FITTING END CAPS



STEP 10 PUSH THE SEALS ON TO THE FIXED PANEL AND FIT THE HANDLE



STEP 11 SILICONE THE OUTSIDE EDGES



CARE AND MAINTENANCE

1) AFTER CARE INSTRUCTIONS

Regularly clean your shower product with warm soapy water to prevent lime scale build up. Do not use abrasive cleaning fluids or materials, or strong chemical cleaners as this will damage the product surface.

2) MAINTENANCE

Clean the plastic parts with a cloth and mild detergent. Never use any abrasive creams, dissolvents, acetone or detergents and disinfectants that contain chlorine. The supplier accepts no liability for any type of use of care other than those contained in these instructions. The supplier reserves the right to introduce technical changes without notice.

COMMITMENT TO QUALITY

It is our intention that the quality and functions of this product are of the highest standard. If you require help we advise you firstly contact a competent plumber. However we understand that this may not always be the case, so should you experience any problems please contact our customer services quoting the following:

Product name: 8mm One Door Offset Quadrant

Product code: DQD9762L / DQD9762R / DQD8102L / DQD8102R
DQD8122L / DQD8122R / DQD9122L / DQD9122R

Customer help line number: 0344 804 48 48

INSTALLERS NOTES



Victoria Plum Limited, Bridgehead Business Park
Hesle, HU13 0DG

17

EN 14428 : 2015
DOP No.:J170320003-1

Shower enclosures with aluminium
profiles and safety glass

Essential characteristics	Performance	Harmonised technical specification
Cleanability	Pass	Clause 4.2 of EN 14428:2015
Impact resistance/shatter properties	Pass	Clause 4.3 of EN 14428:2015
Durability	Pass	Clause 4.4 of EN 14428:2015

The packaging you have received with your product is 100% recyclable.
It must be disposed of in a safe and environmentally friendly way.
We suggest you take it to the local landfill site and discard in the designated bins.