

# TECHNICAL DATA SHEET

## PRISM

### Fixed Head and Adjustable Riser Shower Pack

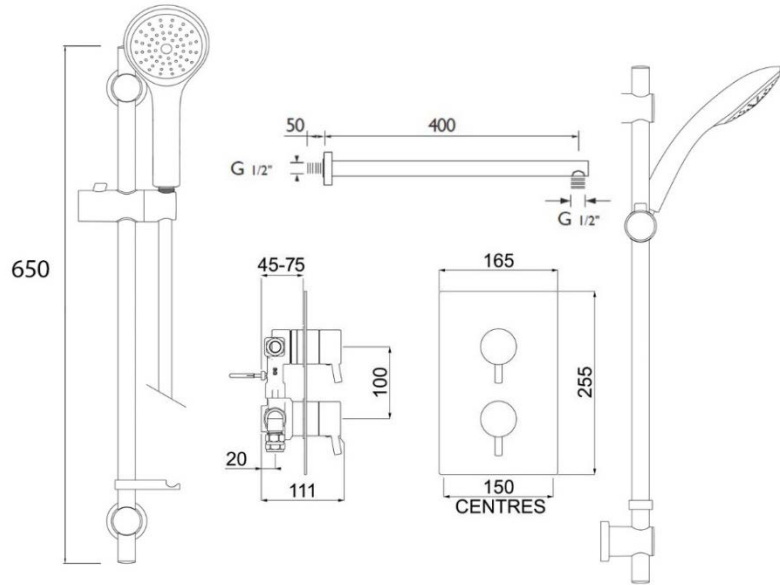
#### Product Specification

<b>Product Code:</b>	PRISM SHWR PK2
<b>Finish:</b>	Chrome
<b>Product Type:</b>	Contemporary
<b>Construction:</b>	Body is of brass construction
<b>Cartridge Type:</b>	Thermostatic Cartridge
<b>Supply:</b>	Suitable for all plumbing conditions, preferably balanced.
<b>Inlet Connections:</b>	15mm Compression connections
<b>Working Pressures:</b>	<b>Min</b> 0.2bar, <b>Max</b> 5.0 Bar
<b>Dimensions for Fitting:</b>	650 (H) mm, 150 (W) mm, 400 (D) mm



#### Additional Information

- This shower pack includes –
- Our classic Prism shower valve with integral two outlet diverter,
- 200mm fixed head
- Adjustable riser shower kit with large single mode handset



#### Flow Rates (litres per minute)

System Pressure	0.2bar	0.5bar	1.0bar	2.0bar	3.0bar	5.0bar
PM2 SHCDIV C –Outlet 1	6.9	12.8	19	27.6	33.8	43.64
PM2 SHCDIV C – Outlet 2	6.7	12.5	18.5	27	33.07	42.69

**Technical Advice:** For further information please call 0844 7016273 or email [customer@bristan.com](mailto:customer@bristan.com)

**Guarantee:** 5 years covering manufacturing faults.