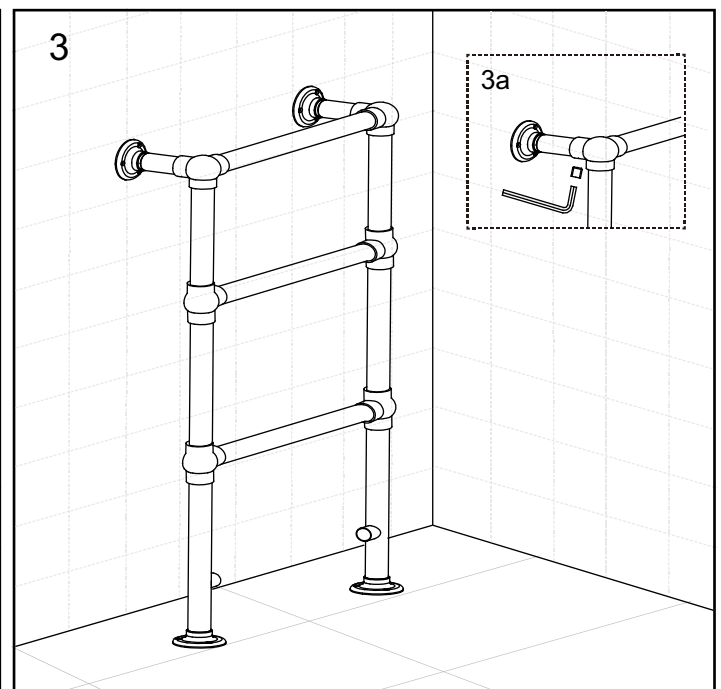
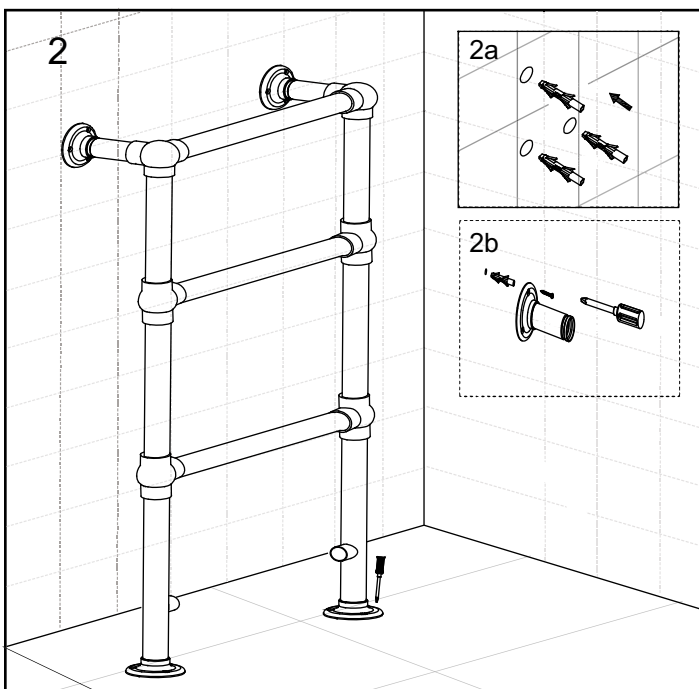
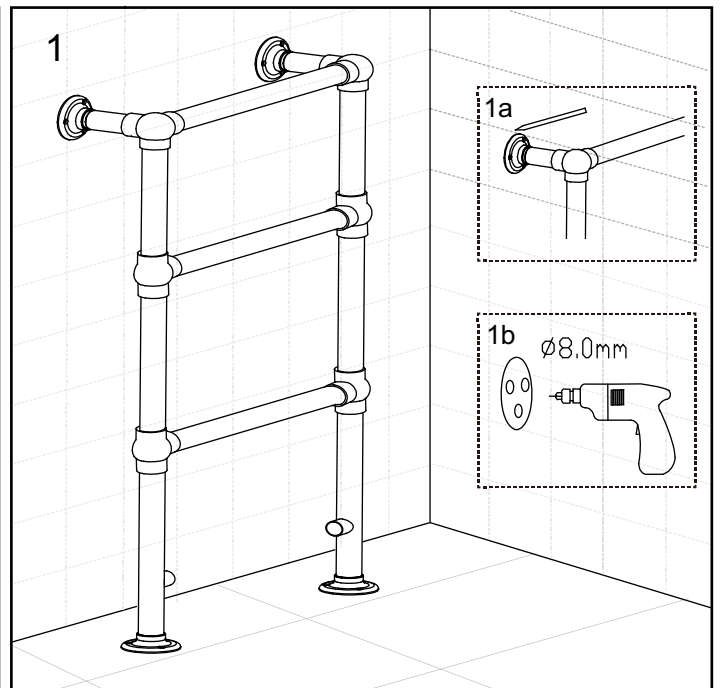
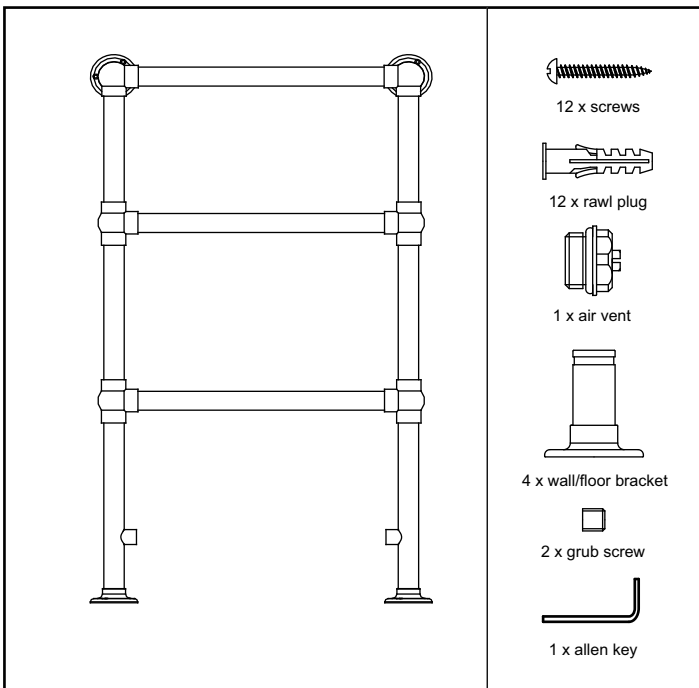
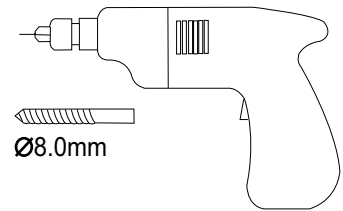
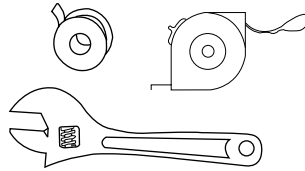
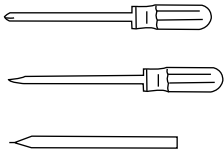
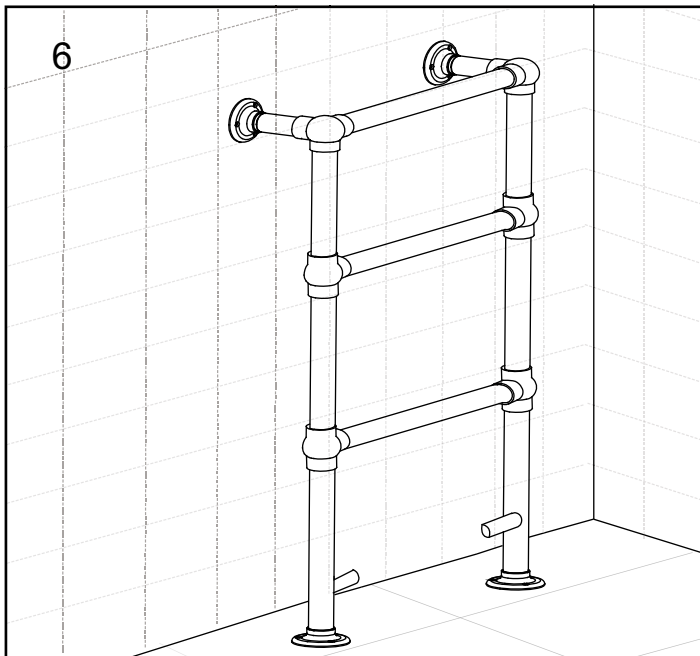
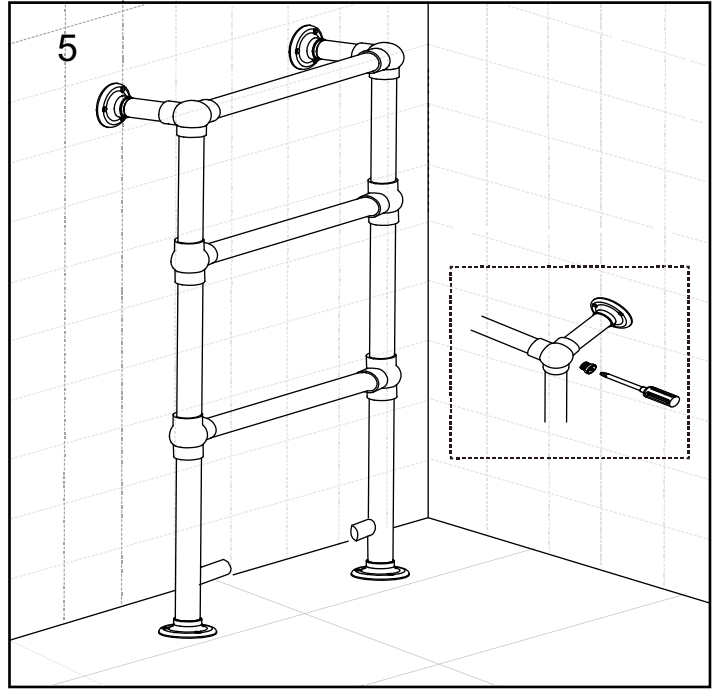
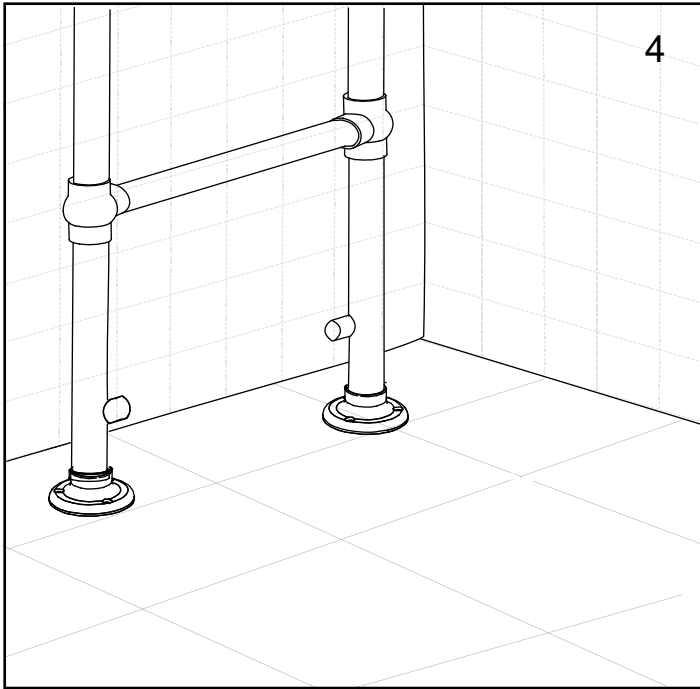


# Towel Rail Installation

- review instructions carefully before installation
- installation should be completed by a suitably qualified person
- please dispose of packaging in a responsible manner

## tools required





**After installation . . .**

- Use a screwdriver to open the air vent, open the inlet valve and let the water rush into the radiator. Check all connections for leaks.
- Once water overflows from the air vent, there is no air in the tube.
- Use a screwdriver to close the air vent, turn on the outlet valve and the radiator is ready for use.

**After care . . .**

- This radiator is made from steel with painted finish. It should not be cleaned with corrosive or abrasive cleaning agents.

**Please note . . .**

- This product can only be used at PN ≤ 1MPa (10g/cm<sup>2</sup>, 10 Bar), It should only be filled with water, and at a temperature below 100°C (212°F). See table below for installation requirements.  
If the temperature exceeds 48°C (or 120°F), please install a warning sign near the product to avoid burning and scolding accidents.

Fill <sup>3</sup> / <sub>4</sub> Full	Pressure	Temperature	Comments
water only	PN ≤ 1Mpa	0° C < t ≤ 100°C	If ambient temperature drops below 1°C, drain out the water to prevent freezing.