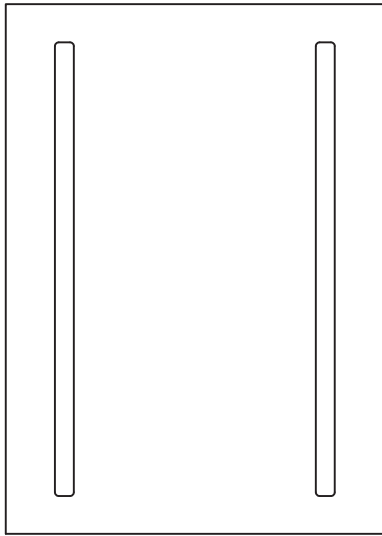


MODE

BATHROOMS

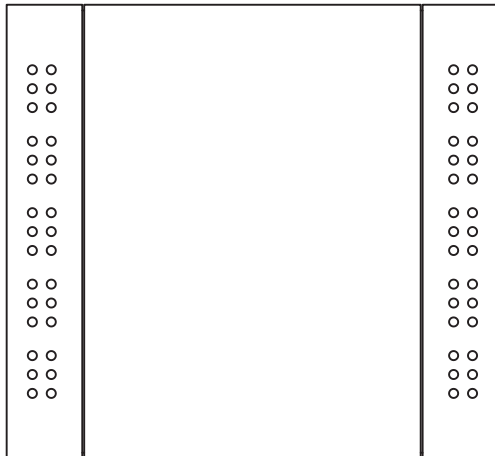
LED MIRROR CABINETS



3722-L-5070



3760-L-5060



3612-L-6560

Exclusively available @

VictoriaPlum.com

VictoriaPlum.com
0344 804 48 48

BEFORE YOU START, HERE IS SOME IMPORTANT INFORMATION.

1) General Information

Please inspect this product upon delivery. Any missing parts or manufacturing defects must be reported immediately to the supplier. Damage or defects reported later will not be accepted. TAKE CARE WHEN HANDLING GLASS PARTS- AVOID HEAVY CONTACT BETWEEN THE GLASS EDGES AND ANY HARD SURFACE. Glass breakage claims will not be accepted after the product has been unpacked.

2) Additional Notes

Please read these instructions carefully before starting installation.

Special care should be taken when drilling walls to avoid hidden pipes or electrical cables.

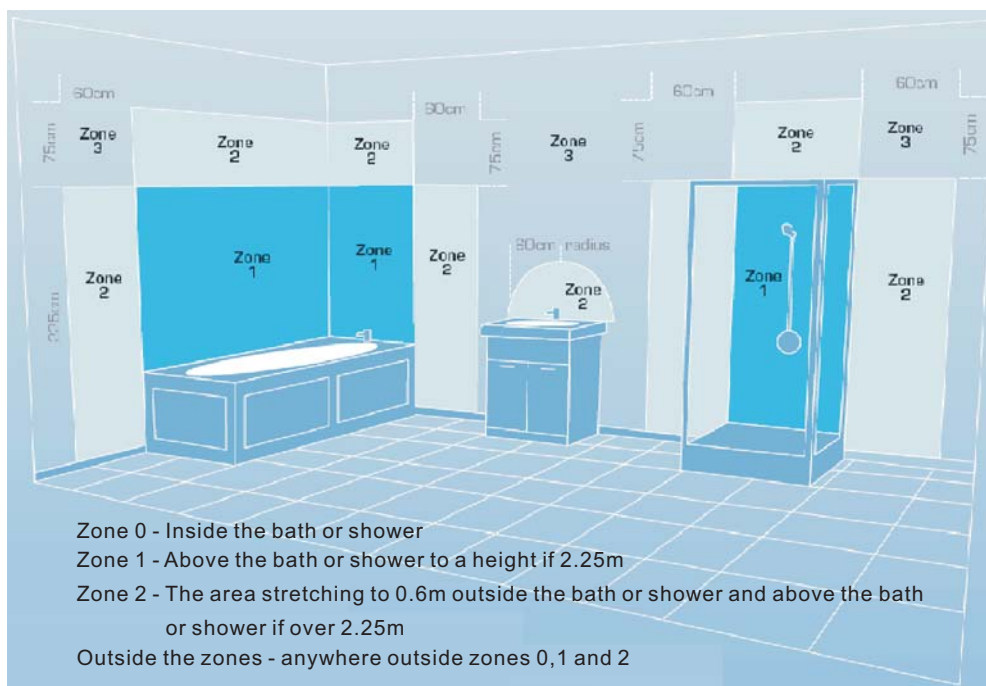
Note: This product may require two people to install.









This product should ONLY be installed by a qualified electrician.

WHERE TO INSTALL THIS MIRROR

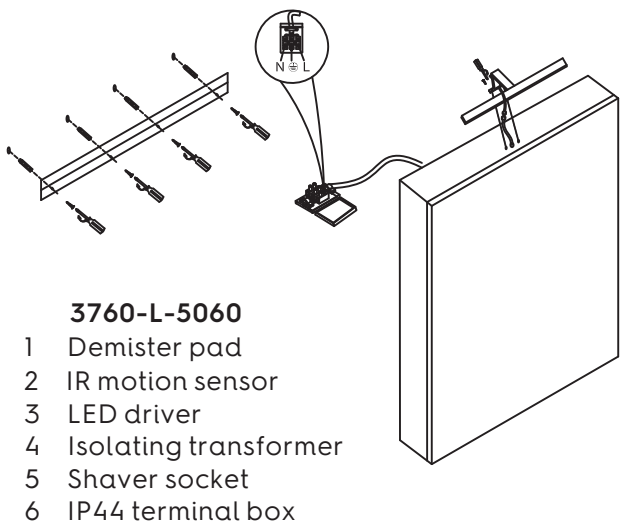
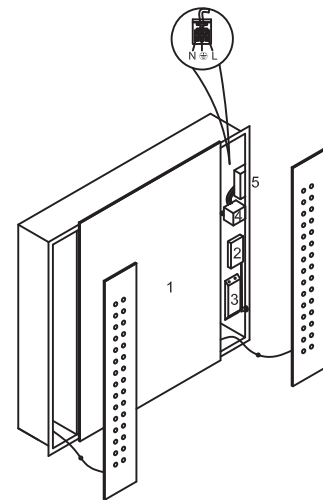
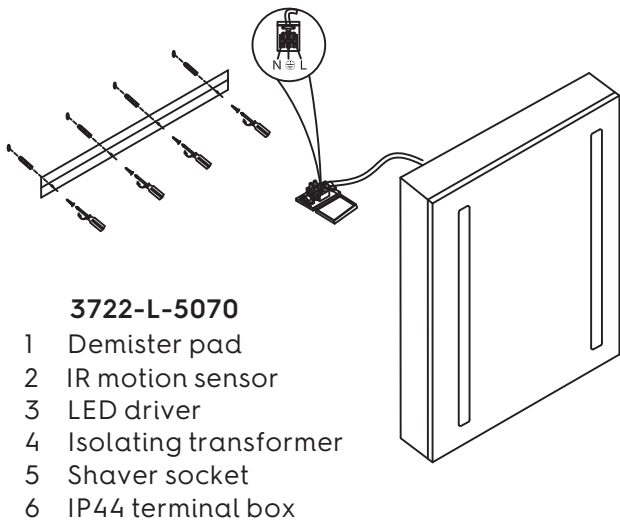
This mirror is IP44 rated and is suitable for installation in Zones 2 or beyond.



TOOLS REQUIRED

Description	Parts Image	Description	Parts Image
Tape Measure		Drill	
Spirit Level		Cross Head Screwdriver	
Pencil		Ø8mm Drill Bit	

ASSEMBLY DRAWING



INSTALLATION STEPS

STEP 1

ISOLATE THE MAINS POWER SUPPLY TO THE ELECTRICAL FEED THAT WILL POWER YOUR MIRROR.

STEP 2

There are two mounting ways for the mirror cabinets.

A - Hanging Way (3722-L-5070 / 3760-L-5060)

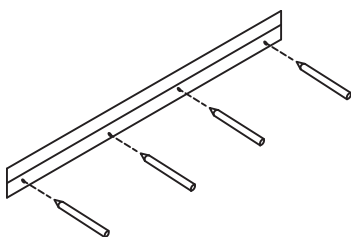
Put the 'Z' mounting bar on the wall, ensuring your power supply cable will reach the connection block. Mark the positions of the mounting holes on the wall, using a pencil and a spirit level.

B - Screwing Way (3612-L-6560)

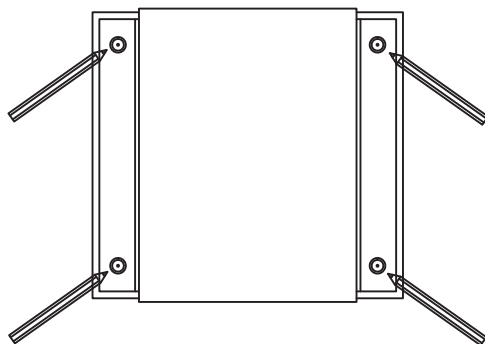
Put the mirror cabinet on the wall, ensuring your power supply cable will reach the connection block. Mark the positions of the mounting holes on the wall, using a pencil and a spirit level.

STEP 3

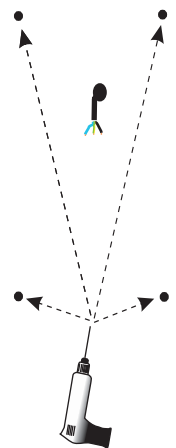
Drill the mounting holes into the wall using a suitable drill bit.



A1



B1



STEP 3

STEP 2

STEP 4

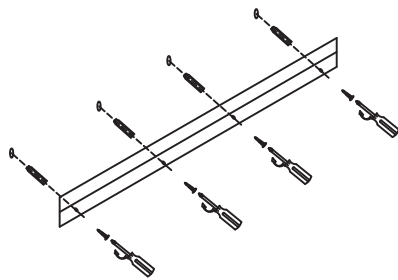
A - Hanging Way (3722-L-5070 / 3760-L-5060)

Insert the wall plugs and screw the 'Z' mounting bar on the wall.

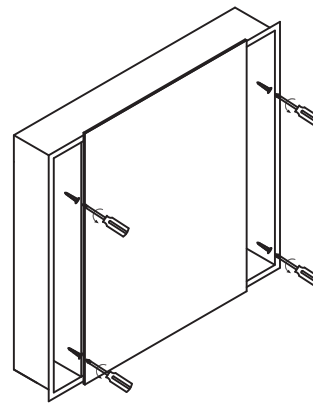
B - Screwing Way (3612-L-6560)

Insert the wall plugs and screw the cabinet on the wall.

NOTE: As the mounting surfaces vary, please ensure adequate fixings are used. Fixings supplied are not suitable for all mounting surfaces, e.g. plaster board.



A2



B2

STEP 4

STEP 5

Wire the main power supply to the terminal block as follows.

RED OR BROWN --- TERMINAL MARKED L (LIVE)
BLACK OR BLUE --- TERMINAL MARKED N (NEUTRAL)
GREEN & YELLOW --- TERMINAL MARKED E OR ⊕

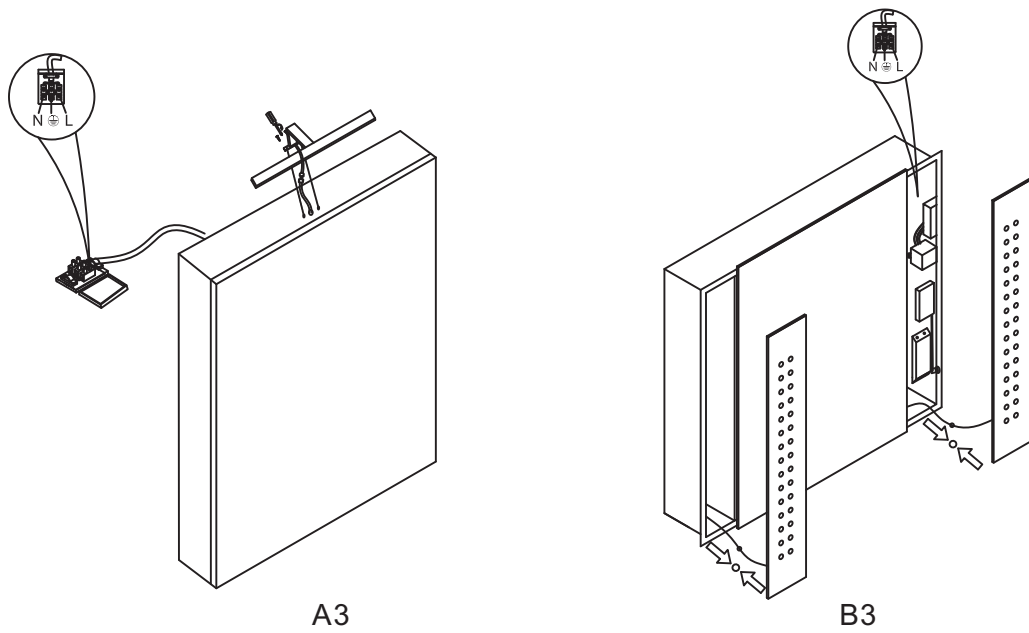
WARNING: This appliance must be earthed.

IMPORTANT:

For the item 3760-L-5060, please connect the wiring of Over Mirror Light with the wiring coming from the top of cabinet and screw the Mirror Light on the cabinet with supplied screws.

Please NEVER have the wiring of cabinet withdraw into the cabinet before plugging in the connectors.

For the item 3612-L-6560, please connect the wirings of LED strips to the output of LED driver before fitting the side mirror panels.



STEP 5

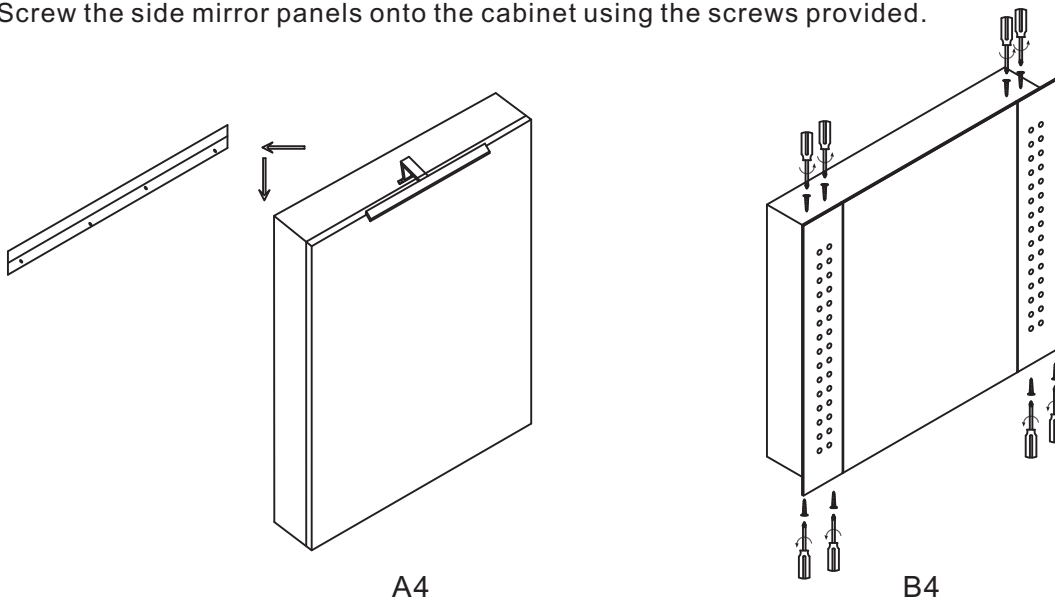
STEP 6

A - Hanging Way (3722-L-5070 / 3760-L-5060)

Slot the mirror cabinet onto the 'Z' mounting bar on the wall. Ensure the cabinet is clamped firmly by the screws on the wall.

B - Screwing Way (3612-L-6560)

Screw the side mirror panels onto the cabinet using the screws provided.



STEP 6

STEP 7

Carefully put the two glass shelves into the cabinet.

Peel off the protective film from the mirror and clean with a soft cloth.

CARE AND MAINTENANCE

1) AFTER CARE INSTRUCTIONS

It is recommended that mirrors are cleaned with a soft, dry, non-abrasive cloth. Do not use abrasive cleaning materials, or chemical cleaners as this will damage the mirror surface and edges.

2) MAINTENANCE

The supplier accepts no liability for any type of use of care other than those contained in this instruction. The supplier reserves the right to introduce technical changes without notice.

COMMITMENT TO QUALITY

It is our intention that the quality and functions of this product are of the highest standard. If you require help, we advise you firstly contact a qualified electrician. However we understand that this may not always be the case. So should you experience any problems, please contact our customer services quoting the following:

Product name: LED Mirror Cabinets

Product code: As shown on the first page

Customer help line number: 0344 804 48 48

NOTE:

The packaging you have received with your product is 100% recyclable.

It must be disposed of in a safe and environmentally friendly way.

We suggest you take it to the local landfill site and discard it in the designated bins.