

VG SNK EF C

VEGAS Tap Range Vegas Easyfit Mono Sink Mixer Chrome



Features

- Unique patented technology
- Designed with the installer in mind to ensure installation and future maintenance is made quick and easy
- Ceramic disc cartridge for added durability and ease of use
- Supplied with easy to use metal lever handle and flexible connecting pipes
- Chrome plated to BS EN 248

Product Certifications:

WRAS Certificate No: 1611004



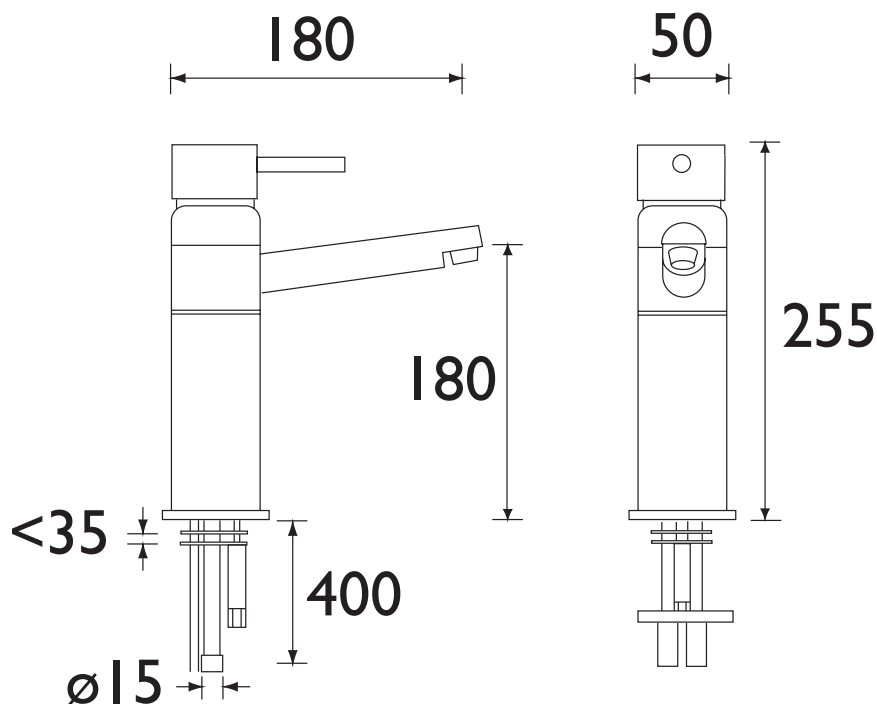
Scan here for more of our EASY FIT Kitchen Taps:



Specification

Style:	Contemporary
Product Type:	Kitchen Tap
Finish/Colour:	Chrome
Main Construction Material:	Body is of Brass Construction
Mount Type:	Deck
Handle Type:	Lever
Connection Inlet:	M10 x 400mm Flexible Tails
Number of Tap Holes Required:	1
Valve/Cartridge Type:	35mm Ceramic Cartridge
Plumbing System Suitability	All, preferably balanced
Maximum Hot Water Temperature: °c	65
Maximum Dynamic Pressure: (bar)	5
Maximum Static Pressure: (bar)	10
Flow Type:	Single Flow
Flow Rate: (l/min @ 3 bar)	18.9
Connection Outlet:	Aerator
Isolation Included:	Yes
Check Valve Included:	No

Dimensions (measurements in mm)



Flow Rates (l/min)

System Pressure (bar)	0.5	1	2	3	5
Mixed	7.72	10.91	15.43	18.9	24.4

**TECHNICAL
DATA
SHEET**

BRISTAN
TAPS & SHOWERS

D3