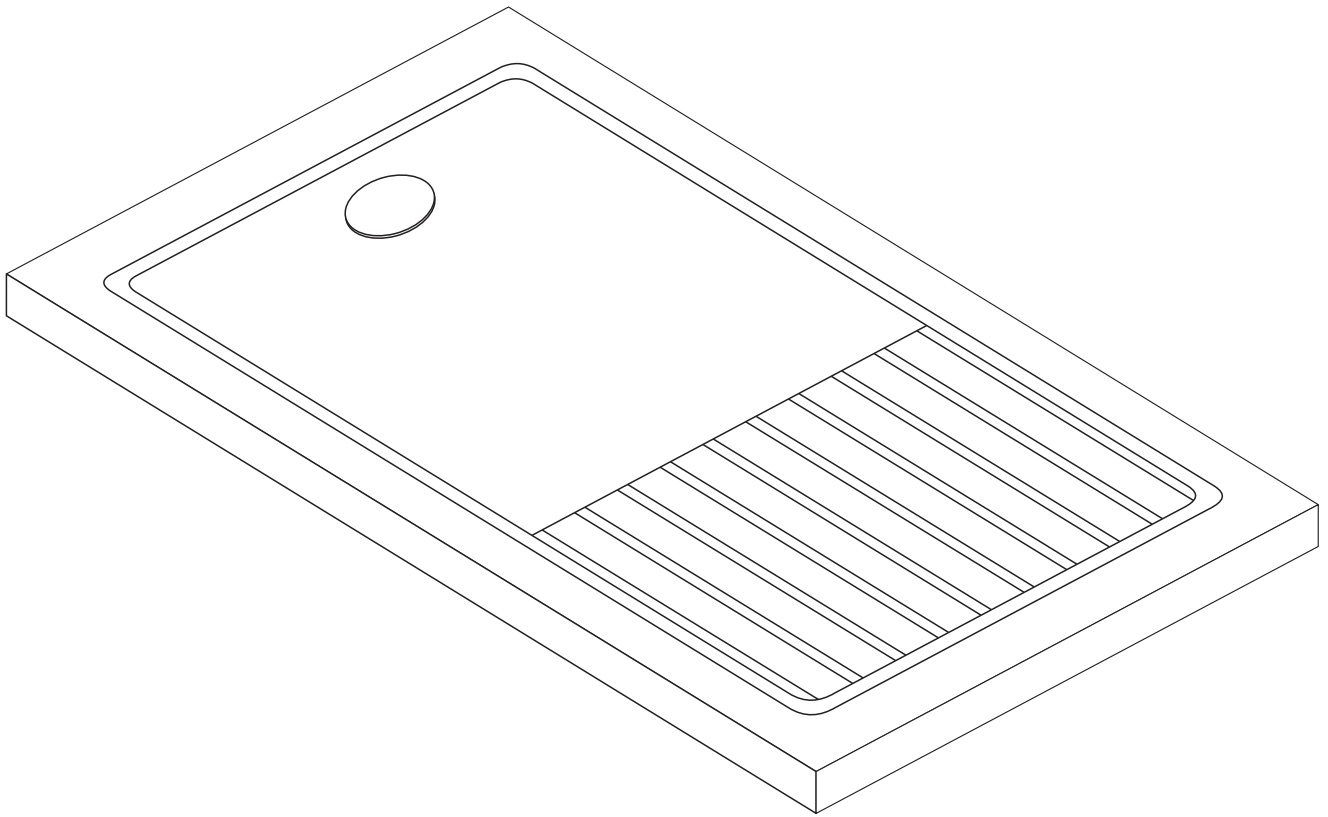


# MODE

## BATHROOMS

### PU Shower Trays

Refer To sheet 4 For Relevant Product Codes



Exclusively available @

**VictoriaPlum.com**

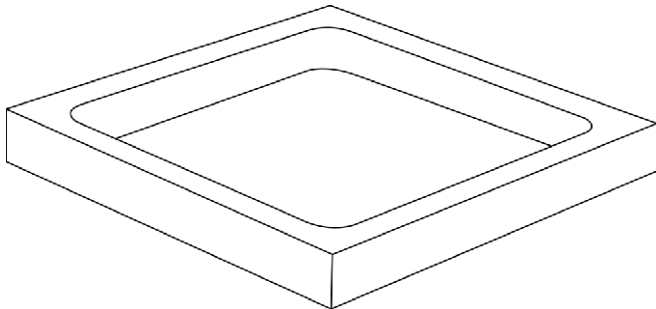
VictoriaPlum.com

0344 804 48 48

---

# Installation Instructions

## Parts Supplied

Ref	Description	Illustration (Shape of tray may vary from illustration)	Qty
A	Shower Tray		1

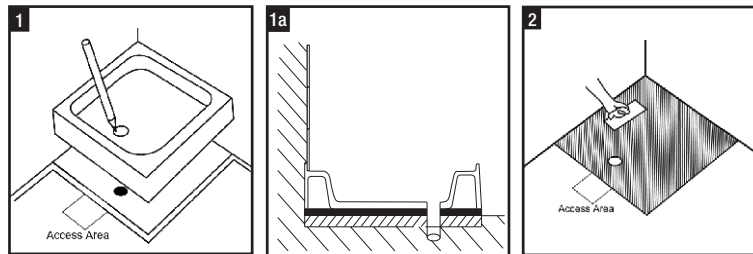
## Before You Start:

- Please note that although these instructions are comprehensive we always recommend that a technically competent installer undertakes the installation.
- **Caution:** Care should be taken when drilling into walls or floors to avoid hidden pipes or electrical cables.
- When handling your shower tray take care not to damage the bottom edges and when installing take particular care to protect the visible surfaces from impact damage or abrasions.
- Check that the shower tray is the colour, size, shape and type you require.
- Unpack and check for any damage. Do not install if not satisfied and contact your supplier.
- Check that the top surface of the shower tray is compatible with your intended shower enclosure, taking into account the reduced area that will result after tiles etc have been fitted.
- If you install this shower tray in conjunction with a steam unit, you must ensure that the steam outlet is a minimum of 350mm from the top of the tray.
- When considering your installation method, you should be able to attach or repair your waste or waste outlet in situ.

## Tools and Materials Required (not supplied)

- Drill
- Drill bit to suit floor screws
- Hole Cutter, size to suit the waste outlet with bottle trap used
- Jigsaw
- Pencil
- Spirit Level
- Trowel
- Cement
- Cement additive, for anti crumbling, to mix as instructed by manufacturer
- Fine Sand
- Floor screws, suitable to fix marine plywood board to floor
- Marine Plywood board (18mm thick minimum)
- Masking Tape
- Plumbing pipe and fittings as necessary
- Silicone sealant
- Standard Shower Waste (which includes bottle trap), or similar

- 1 With the shower tray (A) in position mark the perimeter and waste hole on the floor including an area outside the perimeter for access to connect plumbing after the tray has been installed (See Fig 1).
- 2 Form a trench in the floor to hold the waste pipe and shower waste and extend to include the access area (See Fig 1a).
- 3 Install in accordance with plumbing regulations the waste pipe and shower waste (protecting any exposed threads with masking tape) in the trench, then blank off the trench so it remains clear (to enable plumbing connection) after laying a cement bed on the area to support the tray.



**Note!** Some shower trays have a protective film (indicated by a label on the surface) which must now be removed, undertake a final inspection of the tray at this stage.

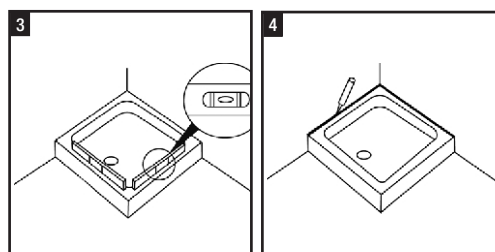
- 4 Mix fine sand, cement in accordance with the manufacturers instructions to a workable mix to cover the total area under the tray. Trowel to a thickness suitable to allow levelling and full support of the shower tray (See Fig 2).

**Note!** Silicone sealants, foams, mastics, installation compound adhesive or similar **MUST NOT** be used as a substitute for cement.

- 5 Place the shower tray (A) onto the wet cement and ensure it is fully supported by the mix. Level the top rims only as the shower tray has a built in fall for adequate drainage (See Fig 3).
- 6 When the cement has set, remove any excess mix and masking tape then make connection between the shower tray and the waste pipe. The shower tray and all connections **MUST** now be checked for water tightness flow and adequate drainage over the entire area.
- 7 After all checks and adjustments, seal along the tiling line with silicone sealant (See Fig 4).

**Note!** When fitting a shower enclosure refer to the manufacturers installation instructions

- 8 Fill in the access area and the waste pipe trench beneath the shower tray (A) with cement to give full support to the shower tray in service.



## Installation on Suspended Floors

- 1 Place shower tray (A) in position, mark the perimeter on the floor including an area outside the perimeter for access to connect plumbing after the tray has been installed (See Fig 5).
- 2 The floor area (or larger) covered by the shower tray (A) must be removed and replaced with a single piece of plywood (min 18mm thick) and also access for the waste should be constructed.
- 3 Put the plywood in position, place the shower tray (A) on the plywood and mark the waste hole location (See Fig 5).
- 4 Remove the shower tray (A), then use the hole cutter to drill a hole in the plywood large enough for the entire shower waste being used, which may need to be extended with the jigsaw to form a keyhole shaped cut-out for some types of shower waste. Keep all holes to the minimum (See Fig 6).
- 5 Remove the plywood and install the waste outlet pipe in accordance with building regulation.

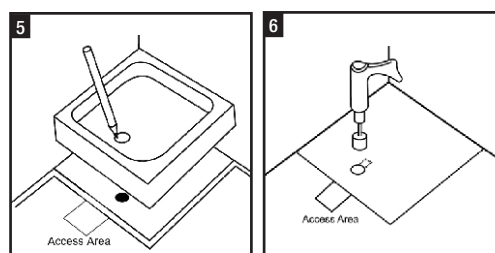
**Note!** Some shower trays have a protective film (indicated by a label on the surface) which must now be removed, undertake a final inspection of the tray at this stage.

- 6 Fit the shower waste to the shower tray (A) following the instructions supplied and protect exposed threads with masking tape. Before proceeding dry fit all items in situ to ensure compatibility and screw the plywood into position.
- 7 Mix fine sand, cement in accordance with the manufacturers instructions to a workable mix to cover the total area under the tray. Trowel to a thickness suitable to allow levelling and full support of the shower tray (A) (See Fig 2 page 2).

**Note!** Silicone sealants, foams, mastics, installation compound adhesive or similar **MUST NOT** be used to substitute for cement.

- 8 Place the shower tray (A) onto the wet cement and ensure it is fully supported by the mix. Level the top rims only as the shower tray has a built in fall for adequate drainage (See Fig 3 page 2).
- 9 When the cement has set, remove any excess mix and masking tape then make connection between the shower tray and the waste pipe. The shower tray (A) and all connections **MUST** now be checked for water tightness flow and adequate drainage over the entire area.
- 10 After all checks and adjustments, seal along the tiling line with silicone sealant (See Fig 4 page 2).

**Note!** When fitting a shower enclosure refer to the manufacturers installation instructions



## CARE AND MAINTENANCE

### 1) AFTER CARE INSTRUCTIONS

- The shower tray should be cleaned regularly with warm soapy water only and dried with a cloth. Never use scourers, abrasives or chemical cleaners.
- It is normal for small amounts of localised water to be retained on the shower tray's surface after use, which should be wiped dry immediately to prevent build-up of sediments.
- If the shower tray is damaged, discontinue use immediately and replace the unit. Failure to do so may result in injury or property damage.

---

## COMMITMENT TO QUALITY

It is our intention that the quality and functions of this product are of the highest standard. If you require help we advise you firstly contact a competent plumber. However we understand that this may not always be the case, so should you experience any problems please contact our customer services quoting the following:

Product name: PU Foam Shower Trays

Product code: RBWRT1490/RBWRT1680

Customer help line number:0344 804 48 48



Victoria Plum Limited  
Bridgehead Business Park, Hessle, HU130DG, UK  
16

DOP NO: 20160801

EN 14527-CL1+CL2

Shower tray, made from Acrylic & ABS and polyurethane foam  
Intended use: personal hygiene

The packaging you have received with your product is 100% recyclable.  
It must be disposed of in a safe and environmentally friendly way.  
We suggest you take it to the local landfill site and discard in the designated bins.

V02.11.2018