


TECHNICAL DATA SHEET

BLISS ELECTRIC SHOWERS

Bliss 8.5kW /9.5kW /10.5kW

Product Specification

| | White | Gloss Black |
|---------------------------|---|-------------------|
| Product Codes & Finishes: | BL385 W (8.5Kw) | BL385 B (8.5Kw) |
| | BL395 W (9.5Kw) | BL395 B (9.5Kw) |
| | BL3105 W (10.5Kw) | BL3105 B (10.5Kw) |
| Product Type: | Contemporary | |
| Construction: | Plastic (ABS) | |
| Supply: | Suitable for mains cold feed only | |
| Inlet Connections: | 15mm push fit, 5 directional options | |
| Outlet Connections: | ½" BSP male threaded | |
| Working Pressures: | Min 0.7bar, Max 10.0bar | |
| Energy Rating: |  | |

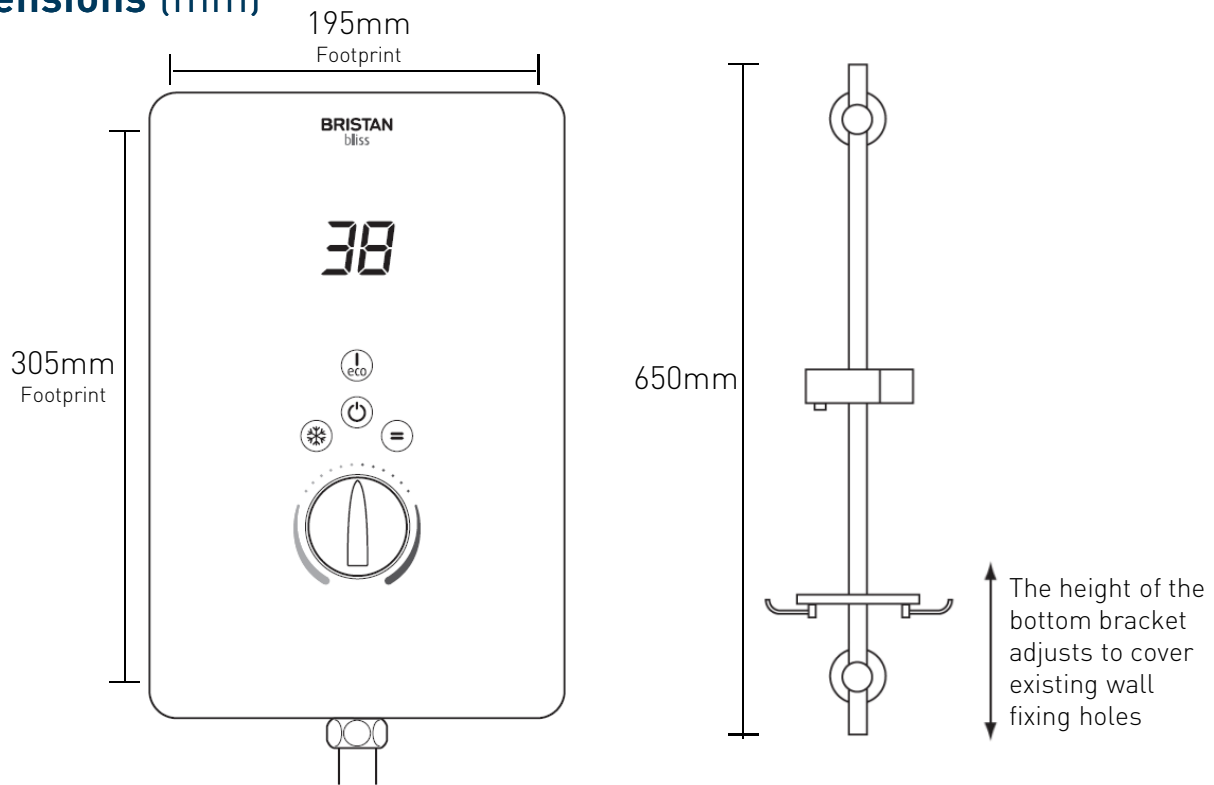


Additional Information

- Instantaneous electric shower drawing water direct from the mains supply; ideal for installations without stored hot water and second bathrooms.
- Digital display temperature indicator
- Consistent showering temperature is provided. The temperature stabilising device compensates for changes in the water pressure caused by other household fittings.
- Safety devices include thermal cut out & pressure relief.
- 3 Power settings. (Cold, Warm/Eco, Hot) and a separate rotary dial temperature control.
- On/Off is operated by Touch Button, ensuring temperature setting remains unaffected after each use.
- Safety warning letters in a display panel indicate low pressure and therefore the shower should be turned off until pressure resumes.
- The phased shut down feature ensures all hot water is flushed out of the shower after use prolonging the shower life. This ensures lime scale build up is kept to a minimum.
- Push fit swivel inlet elbow pipe connection, enabling plumbing from 5 different directions.
- This shower is supplied with an adjustable riser kit and 3 mode rub-clean handset. The riser has a built in soap tray & integral hose retainer.
- Adjustable riser comes complete with adjustable top/bottom brackets so ideal to cover existing riser holes and tile joints.
- Incorporates a temperature control device (TCD) that activates when the temperature is too high & the water inside the heater gets too hot. The TCD will switch off the power to the heating elements and once the unit cools down to a safe temperature, will come on again.

TECHNICAL DATA SHEET

Dimensions (mm)



Flow Rates (litres per minute)

| Power | 8.5kW | 9.5kW | 10.5kW |
|-----------|-------|-------|--------|
| Flow Rate | 4.5 | 5.1 | 5.6 |

Quoted as per European Water Label (EWL) scheme conditions:
Output = 42°C; Input = 15°C; Voltage = 240V

Compliance / Approvals

BEAB safety: IWH 0756

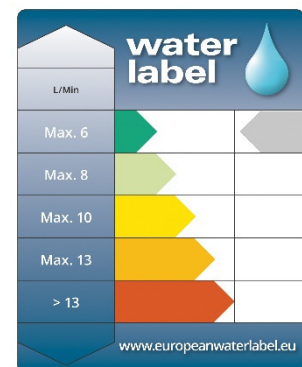
BEAB EMC: IWH 0760

CE Mark:

WRAS Approval Number: 1312053

Technical Advice: For further information please call 0844 7016273 or email customer@bristan.com

Guarantee: 2 years covering manufacturing faults.



Bristan, Birch Coppice Business Park, Dordon, Tamworth, B78 1SG
Telephone: 0844 701 6274 Facsimile: 0844 701 6275
Web Site: www.bristan.com Email: enquire@bristan.com



The information contained on this page was correct at date of issue. Fitting dimensions are provided as a guide only. Some variation may occur due to manufacturing tolerances. Bristan pursues a policy of continuing improvement in design and performance of its products and so reserves the right to change specifications without prior notice.