

MT753CP

GUM Shower Range 22mm Thermostatic Mixing Valve



Specification

Main Construction Material:	Brass
For Use With:	Bath Fill with temperatures up to 44°C Low Pressure Showers/Washbasins
Pre-set Outlet Temperature °C:	43
Valve/Cartridge Type:	Thermostatic
Maximum Hot Water Supply Temperature °C:	80
Maximum Static Pressure: (bar)	10
Plumbing System Suitability:	All, preferably balanced
Working Pressure Range:	Min 0.1 bar, Max 5 bar
Connection Inlet:	22mm
Connection Outlet:	22mm
Isolation Valve Included:	Yes
Check Valve Included:	Yes

Features:

- High and low pressure bath fill applications
- Part G compliant
- Automatic shutoff in the event of hot or cold water supply failure
- Check valves and serviceable filters as standard
- Operates at a maximum pressure differential of 10:1

Product Certifications:



WRAS Certificate No: 1507043
WRAS Expiry Date: 31/07/2020

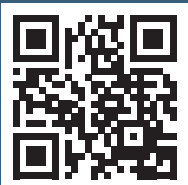


TMV2 Certificate No: BC1561/0615
TMV2 Expiry Date: 25/06/2020

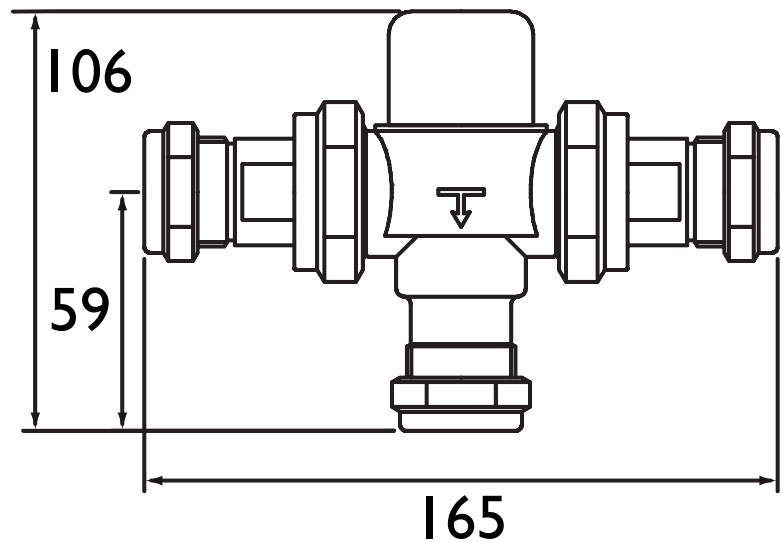
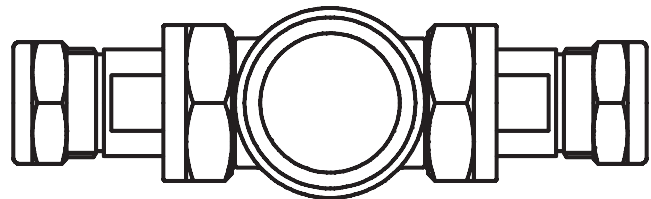


TMV3 Certificate No: BC1560/0615
TMV3 Expiry Date: 25/06/2020

For more products, visit our website:
<http://www.bristan.com>



Dimensions (measurements in mm)



Flow Rates (l/min)

System Pressure (bar)	0.1	0.2	0.5	1	2	3	5
Through Handset (mixed)	10	17	28	42	59	73	95

TECHNICAL DATA SHEET



BRISTAN

TAPS & SHOWERS

D5