

**Instant Hot & Cold Kitchen Sink Mixer with Boiler & Filter Unit**

Product Specification

Product Code: BTF001

Description: Instant Hot & Cold Kitchen Sink Mixer with Boiler & Filter Unit

Barcode 1: **Boiler:** 5039200101007

Barcode 2: **Kitchen Tap:** 5099220201002

Barcode 3: **Water Filter:** 5031200201008

Construction Material: **Boiler -** Stainless Steel / Glass  
**Kitchen Tap -** Brass  
**Water Filter -** Plastic / Carbon Fibre

Category: Kitchen Taps

Product Weight (KG): 8Kg Combined

Standards: **Boiler: EMC:**  
EN 55015: 2013+A1: 2015  
EN 61547: 2009  
EN 61000-3-2: 2014  
EN 61000-3-3: 2013  
**LVD:**  
EN 60335-2-35: 2002 + A1: 2006 + A2: 2011  
EN 60335-1: 2012 + A11: 2014  
EN 62233: 2008



**Kitchen Tap:** BS EN 200:2008

Features & Benefits

**Tap**

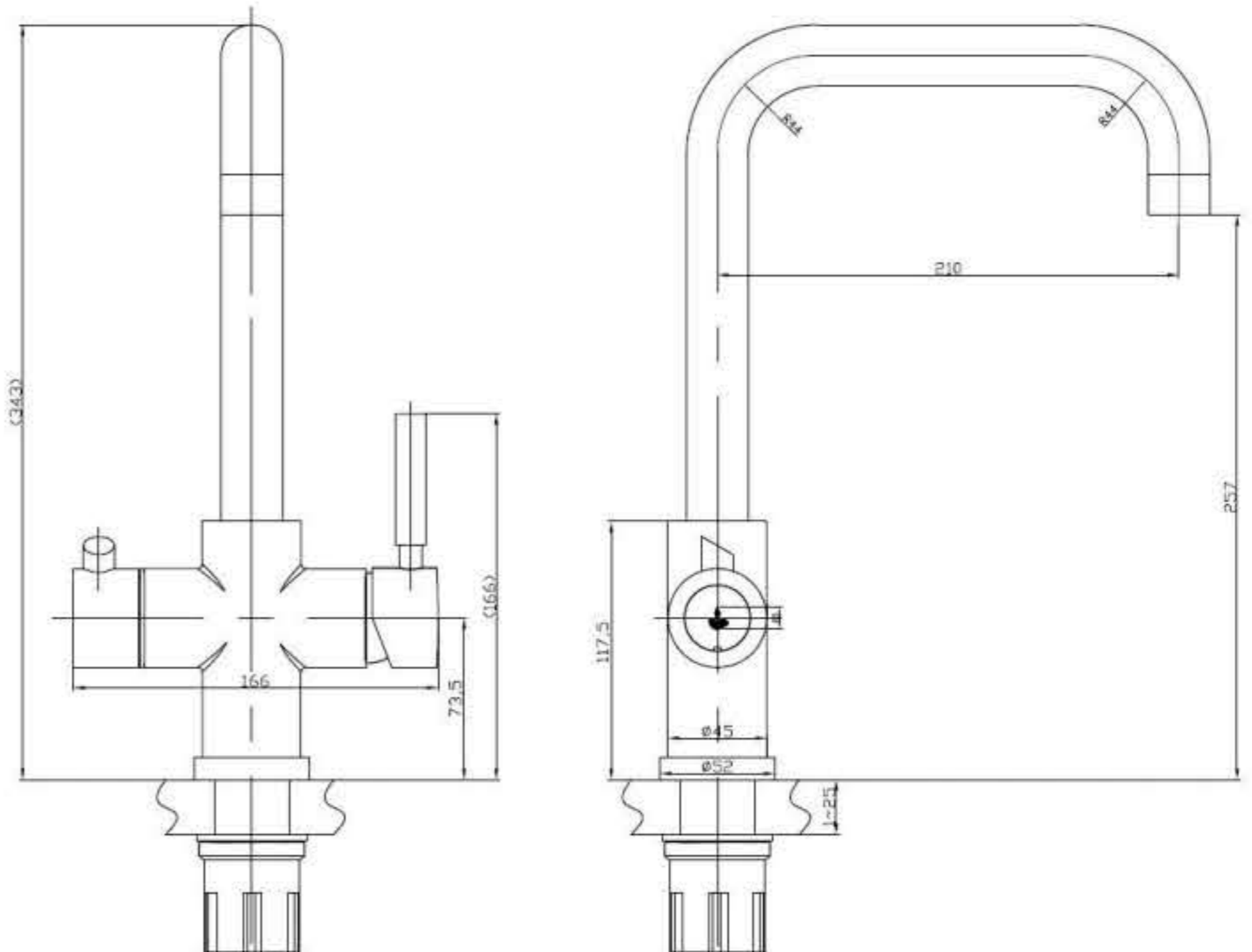
- High quality tri flow chrome finish kitchen tap
- Standard Hot and cold water mixer handle on the right
- Insulated spout and handles
- No more waiting around for the kettle to boil, just instant hot water, as and when you want it
- Child safe spring lock Instant hot water dispenser on the left
- 360° swivel spout
- 5 year guarantee

**Boiler**

- Touch Screen digital interactive control
- Unique unvented design eliminates extra pipework
- Temperature adjustable from 75° to 98°
- Unobtrusive easy clean compact design
- 2 year guarantee

Additional Information

- Replacement Cycle for Water Filter - 3-6 Months
- Optimum Working pressure 1Bar Min, 3Bar Max



Flow Rates (l/min) - Mixed Flow					
System Pressure (bar)	0.2	0.5	1	2	3
KTA018 (Tap)	3.8	6	7.2	8	9.2