

TECHNICAL DATASHEET

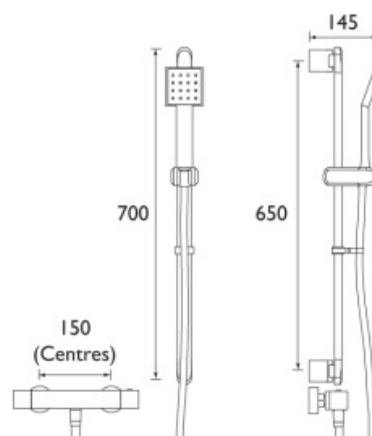
BRISTAN

QUADRATO

QUADRATO THERMOSTATIC SURFACE MOUNTED BAR SHOWER VALVE WITH ADJUSTABLE RISER AND FAST FIX CONNECTIONS CHROME

Product Specification

Product Code:	QD SHXSMFF C
Finishes:	Chrome
Product Type:	Contemporary
Construction:	Bodies are of all brass construction and are designed to conform to BS EN 200, with metal handles
Cartridge/Valve Type:	¼ turn ½" ceramic disc Thermostatic cartridge
Supply:	Suitable for all plumbing systems, preferably balanced
Inlet Connections:	15mm compression connections with 150mm centres
Outlet Connection:	G ½"
Working Pressures:	Min 0.3 bar, Max. 5.0bar
Dimensions for Fitting:	150mm (inlet centres)



Additional Information

- Chrome plated to BS EN 200
- Dual control – flow and temperature are controlled by separate handles, giving accurate control of both.
- Thermostatic cartridge maintains showering temperature to +/- 1°C by compensating for changes in the incoming water temperature and pressure giving the stable outlet temperature.
- Automatic shut off in the event of hot or cold water supply failure, thus reducing the risk of scalding.
- Factory set to a maximum of 38°C to eliminate the ability to select an unsafe temperature - this can be manually over-riden up to 46°C to suit user preference.
- Utilises unique fast fit system – wall mount WMNT10 C.
- Supplied with single mode rub clean handset, 1.5m shower hose, adjustable riser & hose retainer.
- Adjustable riser incorporates swivel rail for increased flexibility.

Technical Advice: For further information please call 0844 7016273 or email customer@bristan.com.
Guarantee: 5 years covering manufacturing faults.

Compliance/Approvals

Flow Rates (litres per minute, open outlet)

System Pressure	0.3bar	0.5bar	1bar	2bar	3bar	5bar
QD SHXSMFF C	6.8	9.2	13.4	19.4	24.0	31.2

Bristan, Birch Coppice Business Park, Dordon, Tamworth, B78 1SG
 Telephone: 0844 701 6274 Facsimile: 0844 701 6275
 Web Site: www.bristan.com Email: enquire@bristan.com



The information contained on this page was correct at date of issue. Fitting dimensions are provided as a guide only. Some variation may occur due to manufacturing tolerances. Bristan pursues a policy of continuing improvement in design and performance of its products and so reserves the right to change specifications without prior notice.