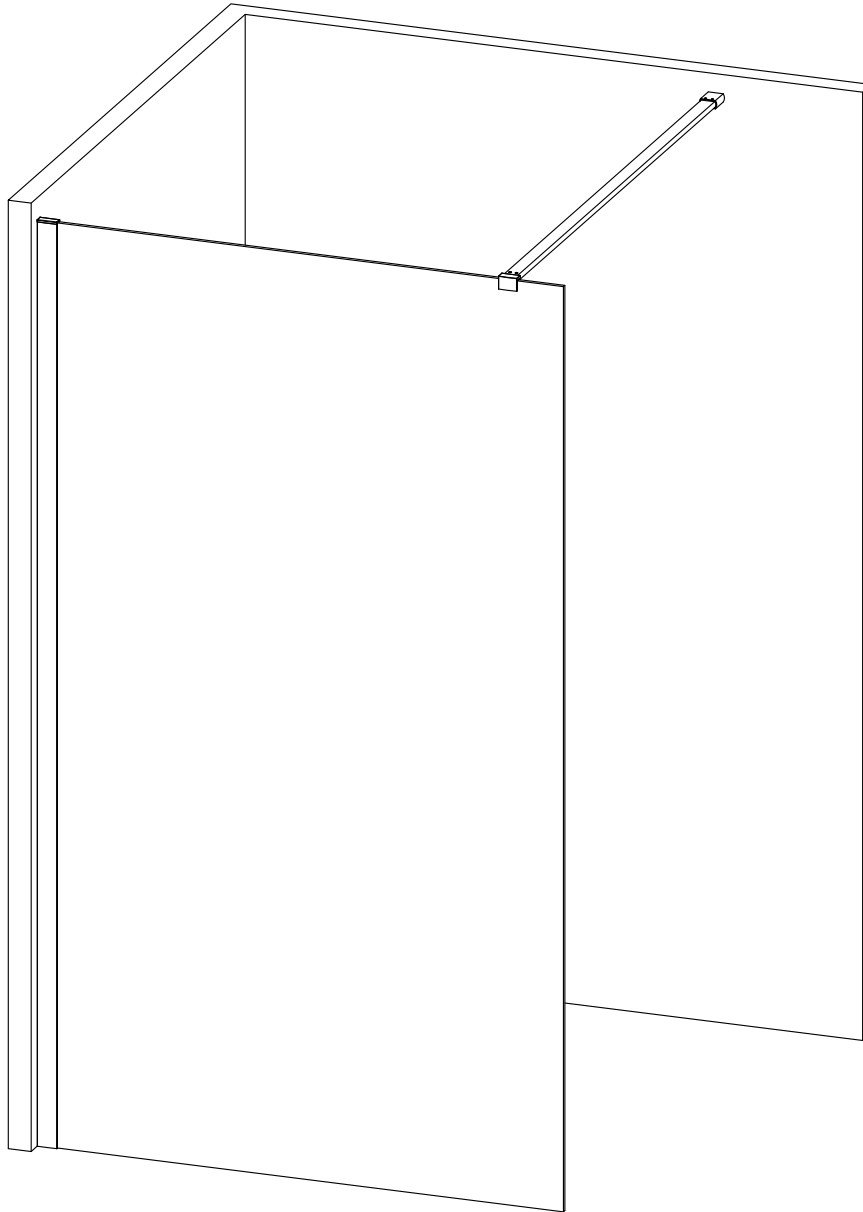


# MODE

BATHROOMS

## 8mm WET ROOM GLASS PANEL



Support bar is supplied in a separate box  
This product is universal, not handed

# BEFORE YOU START, HERE IS SOME IMPORTANT INFORMATION

## 1) General information

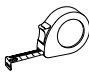

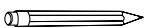


Please inspect this product upon delivery, any missing parts or manufacturing defects must be reported immediately to the supplier. Damage or defects reported later will not be accepted. **TAKE CARE WHEN HANDLING GLASS PARTS - AVOID HEAVY CONTACT BETWEEN THE GLASS EDGES AND ANY HARD SURFACE.** Glass breakage claims will not be accepted after the product has been unpacked.

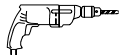
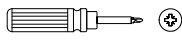
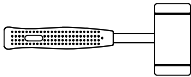
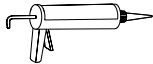

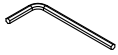
Please note: Aluminium is a soft metal, and undergoes a series of extrusion, fabrication, polishing and anodising processes in order to create your finished shower enclosure. Some light surface marks are normal, and is result of the manufacturing processes. Quality control has ensured that this item is of a good standard, and is fit for purpose.

## 2) Additional Notes

Please read these instructions carefully before starting installation.  
Special care should be taken when drilling walls to avoid hidden pipes or electrical cables.  
Note: this product is heavy and may require two people to install.

## TOOLS REQUIRED

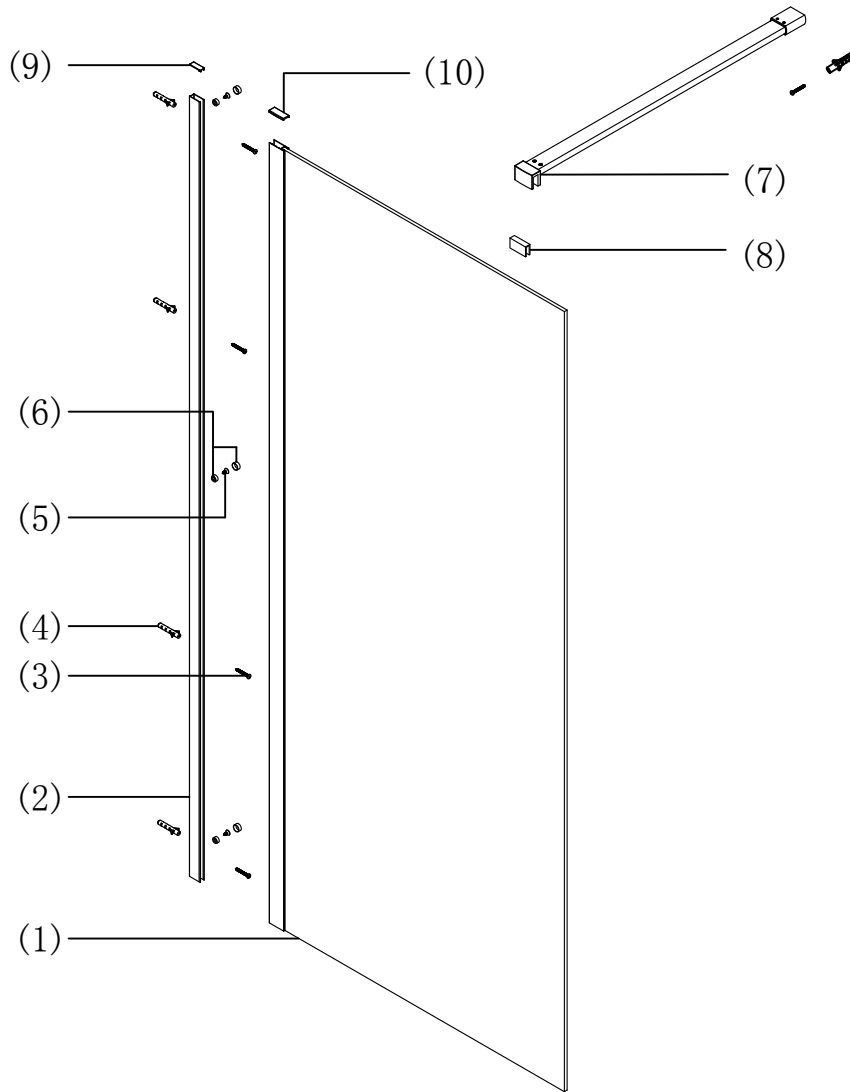
DESCRIPTION	PART IMAGE
Tape measure	
Spirit level	
Pencil	
Ø6mm Drill bit	
Ø3mm Drill bit	

DESCRIPTION	PART IMAGE
Drill	
Cross head Screwdriver	
Mallet	
Silicone Sealant	
Flat head Screwdriver	
Wrench	



# ASSEMBLY INSTRUCTIONS - EXPLODED VIEW AND PARTS LIST

NB: ALL MEASUREMENT SIZES QUOTED ARE IN MM.




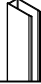

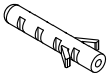

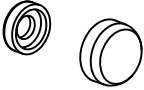

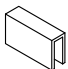
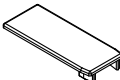
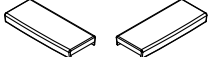
## PACK I.D

- A (1) 1x glass panel
- B (2) 1x Wall Profiles
- E (3) 5x Screws 3.9x35
- E (4) 5x Expansion tube
- E (5) 3x Screws 3.5x10

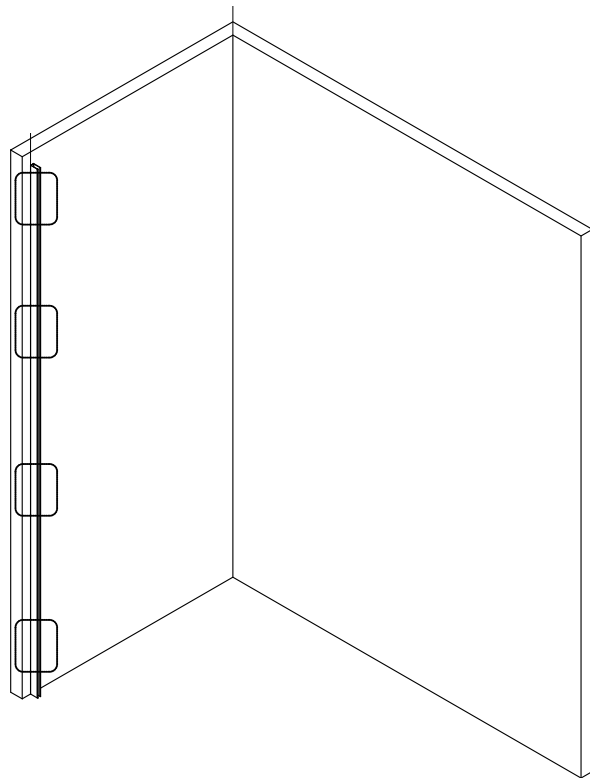
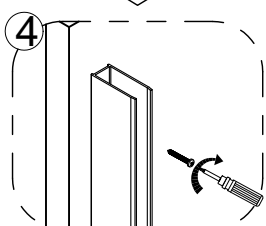
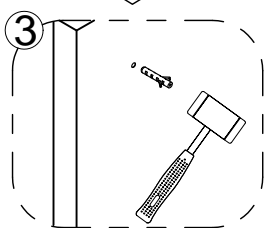
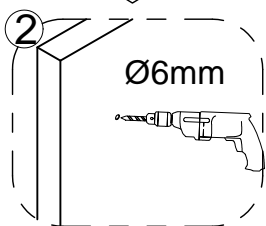
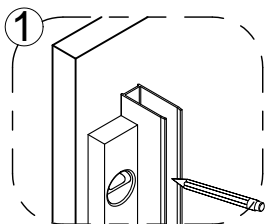
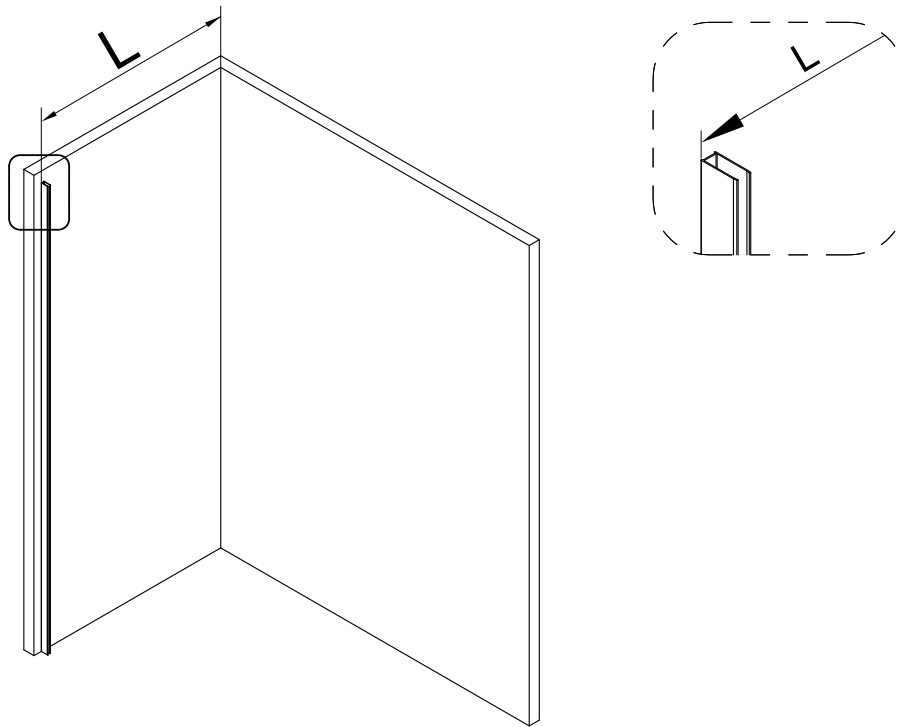
## PACK I.D

- E (6) 3x Screw Cover Caps and Clips
- H (7) Support bar(Supplied Seppuately)
- E (8) "U" shape Gasket(Supplied Seppuately)
- E (9) Wall Profiles cover
- E (10) Edge Profiles cover

# BOX CONTENTS

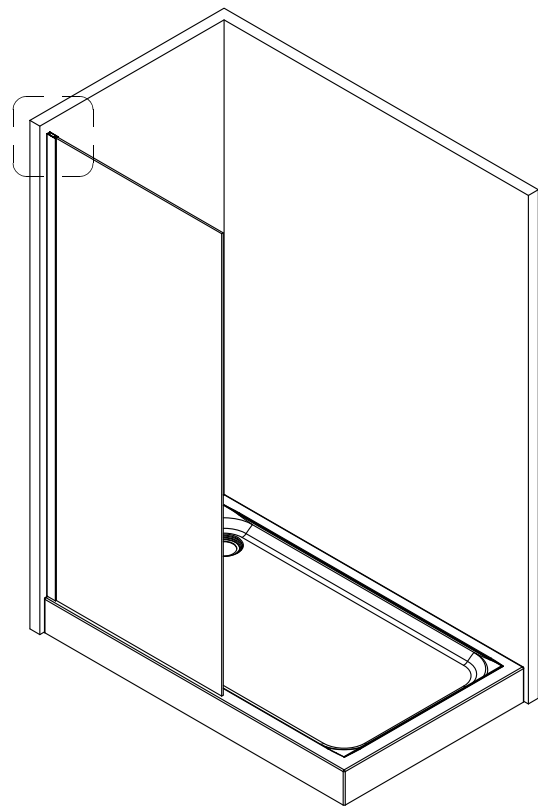
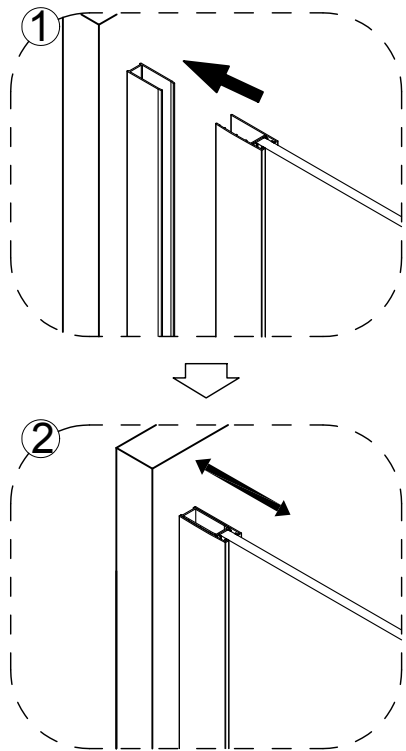
PACK I.D	Component	Picture
A	(1) 1x glass panel	
B	(2) 1x Wall Profiles	
E	(3) 5x Screws 3.9x35	
E	(4) 5x Wall Plugs	
E	(5) 3x Screws 3.5x10	
E	(6) 3x Screw Cover Caps and Clips	
H	(7) Support bar(Supplied Seppuately)	
E	(8) "U" shape Gasket(Supplied Seppuately)	
E	(9) Wall Profiles cover	
E	(10) Edge Profiles cover	

Step 1 - Make sure the wall profile is vertical and to use a spirit level before marking the holes.



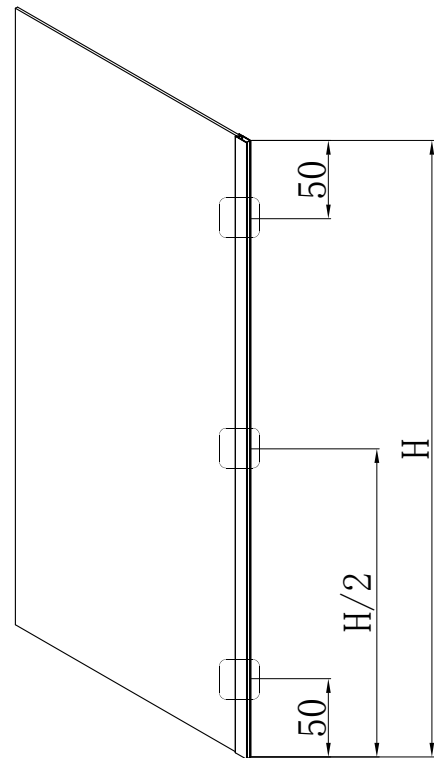
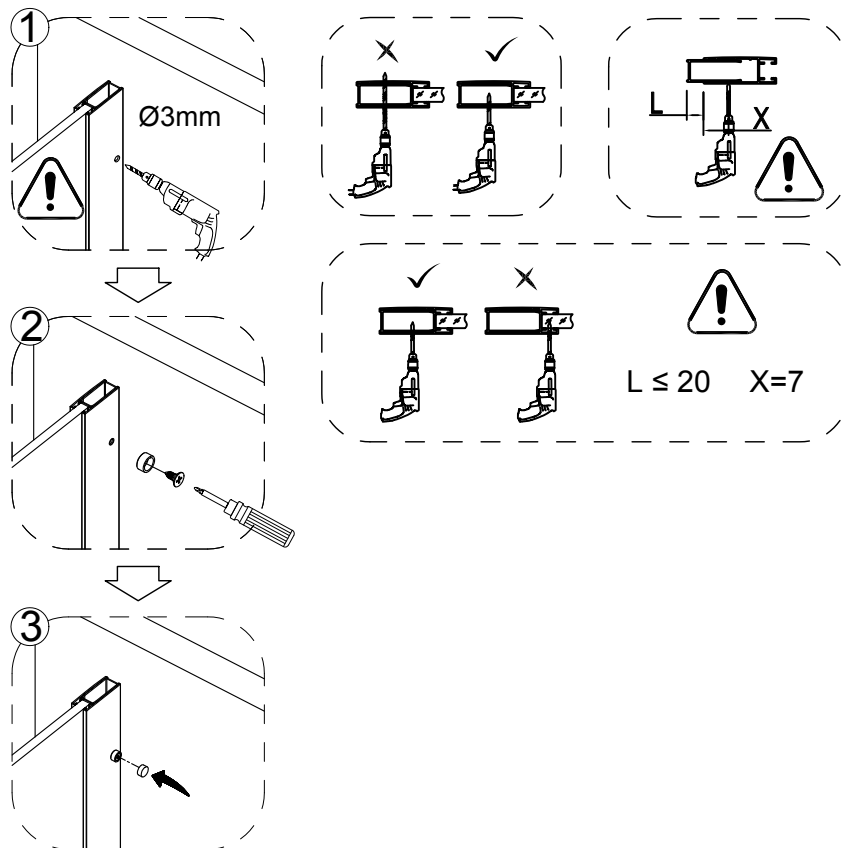
Take Care Not to Damage wall surface

Step 2 - Gently squeeze the frame into each wall profile.

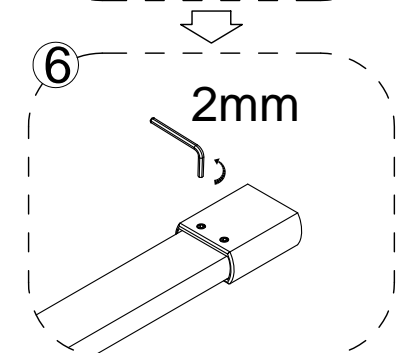
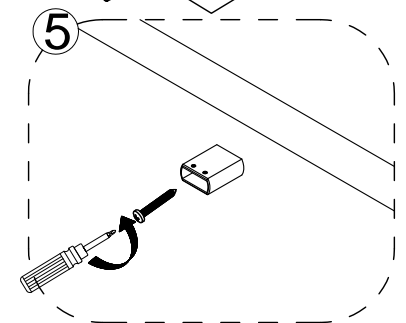
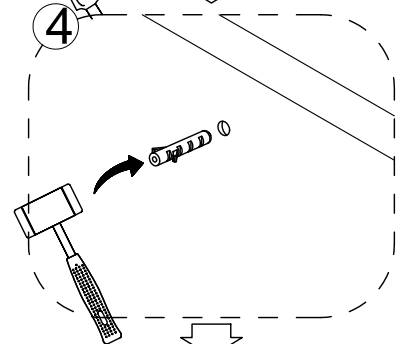
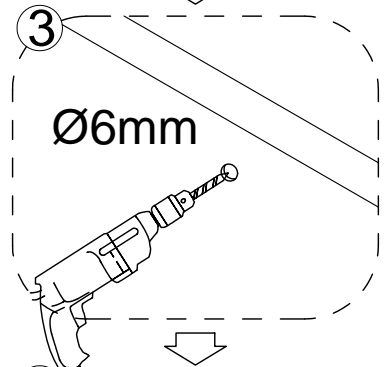
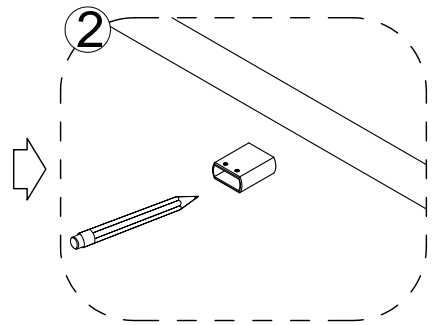
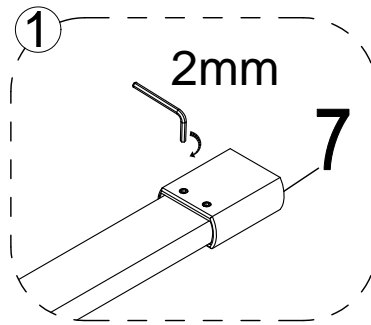
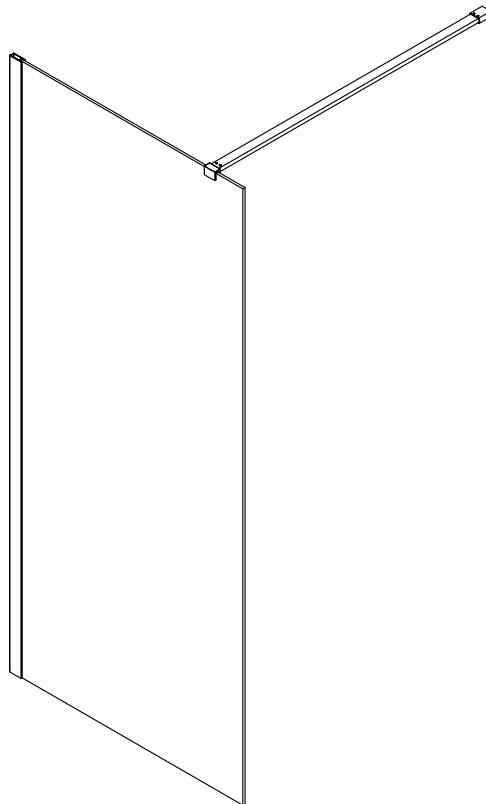
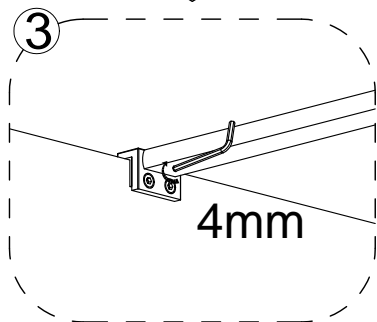
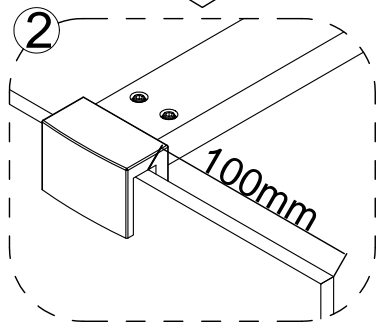
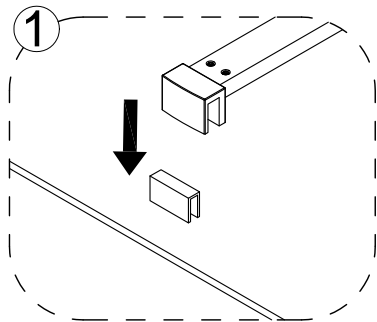


\*Above adjust range determines overall size and allows for walls that are out of plum\*

Step 3 - Fixing the wall profiles with the side profiles.



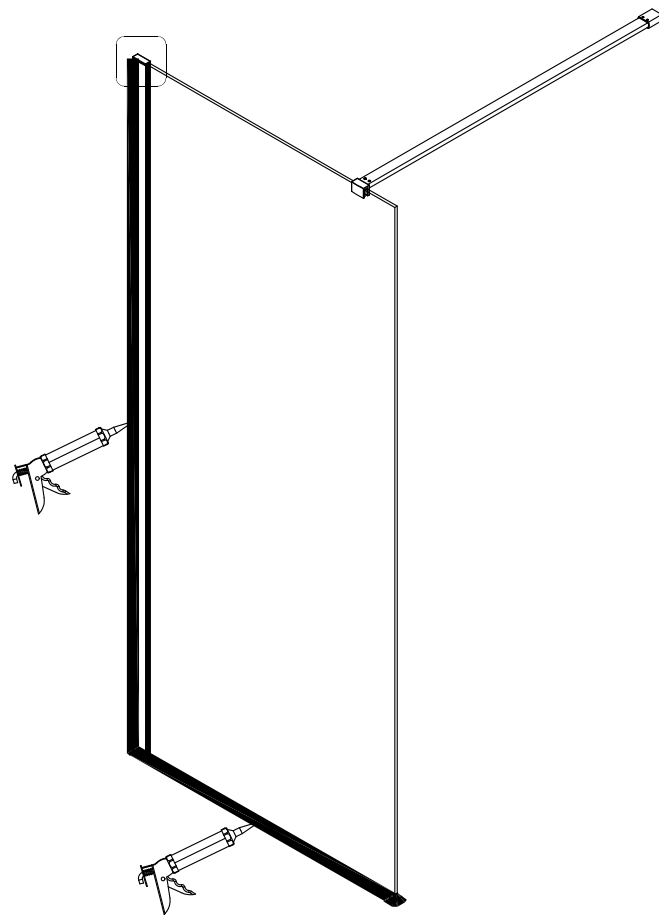
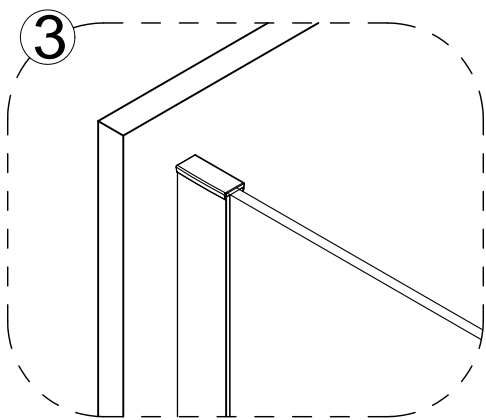
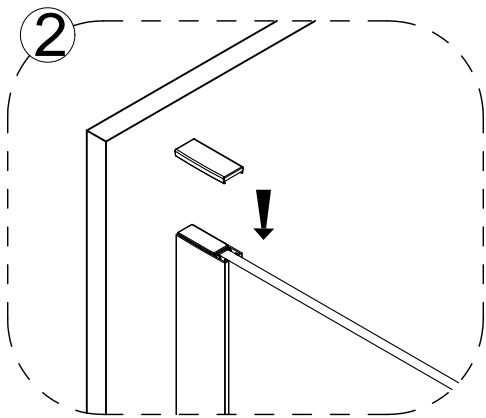
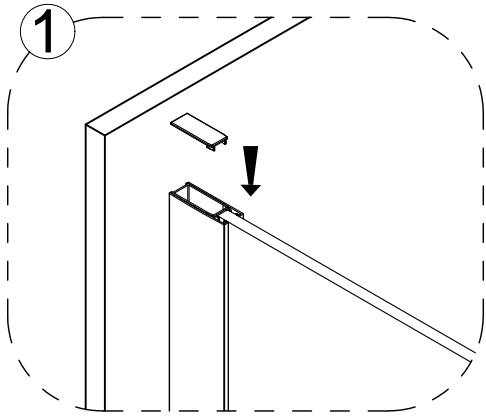
Step 4 - Install the support bar.



Step 5 - FITTING PROFILE COVER CAPS, AND SILICONING THE OUTSIDE EDGES.



Allow 24 hours for silicone to dry before use . Silicone on the outside edge only





# CARE AND MAINTENANCE

## 1) AFTER CARE INSTRUCTIONS

Regularly clean your shower product with warm soapy water to prevent lime scale build up. Do not use abrasive cleaning fluids or materials, or strong chemical cleaners as this will damage the product surface.

## 2) MAINTENANCE

Clean the plastic parts with a cloth and mild detergent. Never use any abrasive creams, dissolvents, acetone or detergents and disinfectants that contain chlorine. The supplier accepts no liability for any type of use of care other than those contained in these instructions. The supplier reserves the right to introduce technical changes without notice.

---

## COMMITMENT TO QUALITY

It is our intention that the quality and functions of this product are of the highest standard. If you require help we advise you firstly contact a competent plumber. However we understand that this may not always be the case, so should you experience any problems please contact our customer services quoting the following:

Product name: 8mm wet room glass panel

Product code: 8W10028, 8W10029, 8W100210, 8W100212

Customer help line number: 0344 804 48 48

# INSTALLERS NOTES



Victoria Plum Limited, Bridgehead Business Park  
Hessle, HU130DG

17  
EN 14428:2015  
DOP No.:170928163GZU-001

Shower enclosures with aluminium  
profiles and safety glass

Essential characteristics	Performance	Harmonised technical specification
Cleanability	pass	Clause 4.2 of EN 14428:2015
Impact resistance/shatter properties	pass	Clause 4.3 of EN 14428:2015
Durability	pass	Clause 4.4 of EN 14428:2015

The packing you have received with your product is 100% recyclable.  
It must be disposed of in a safe and environmentally friendly way.  
We suggest you take it to the local landfill site and discard in the designated bins.