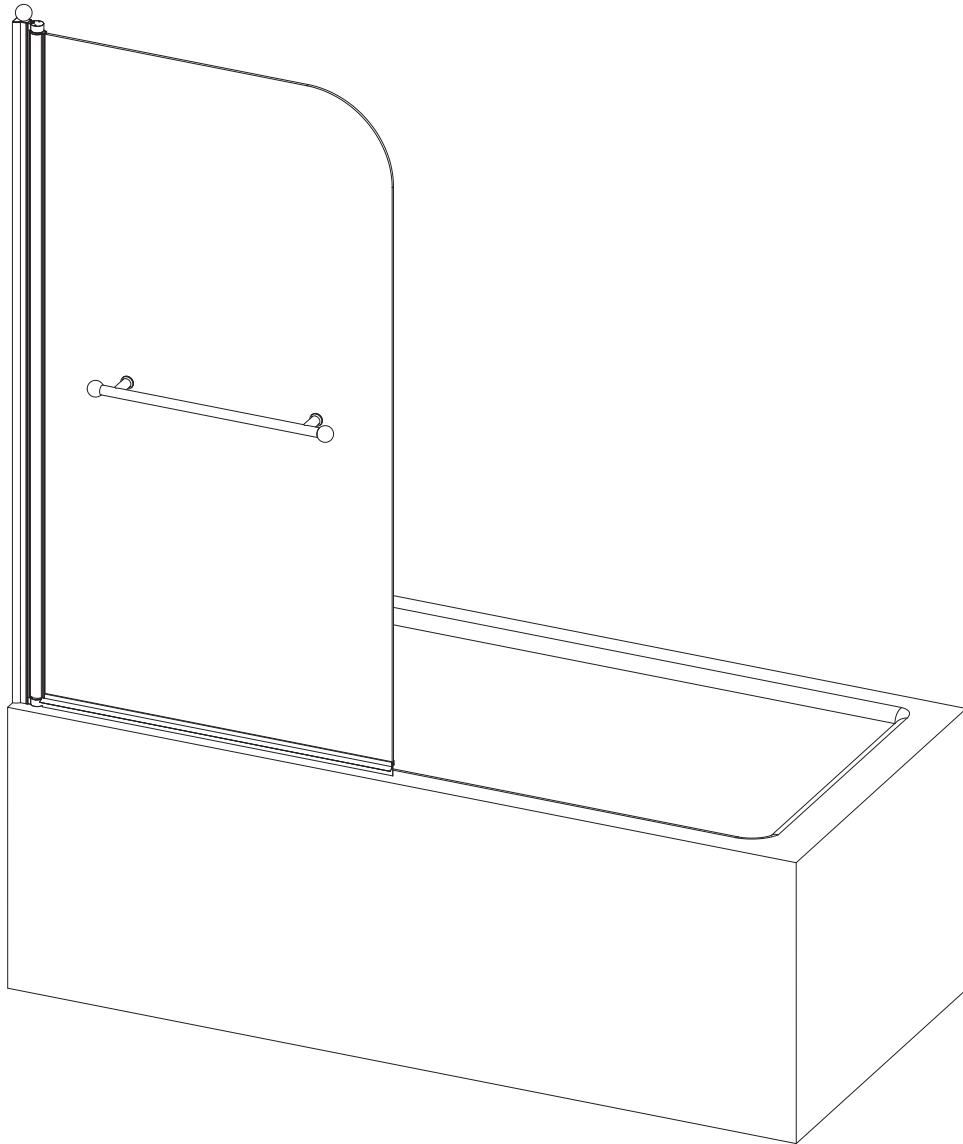


6mm Traditional Bath Screen

Refer To Sheet 7 For Relevant Product Codes



This screen can be assembled as a left hand or a right hand product.

Left Hand installation illustrated

BEFORE YOU START, HERE IS SOME IMPORTANT INFORMATION

1) General Information

Please inspect this product upon delivery, any missing parts or manufacturing defects must be reported immediately to the supplier. Damage or defects reported later will not be accepted. **TAKE CARE WHEN HANDLING GLASS PARTS - AVOID HEAVY CONTACT BETWEEN THE GLASS EDGES AND ANY HARD SURFACE.** Glass breakage claims will not be accepted after the product has been unpacked.

Please note: Aluminium is a soft metal, and undergoes a series of extrusion, fabrication, polishing and anodising processes in order to create your finished shower screen. Some light surface marks are normal, and is a result of the manufacturing processes. Quality control has ensured that this item is of a good standard, and is fit for purpose.

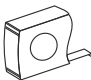


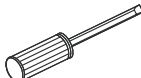
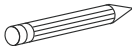
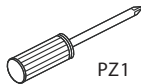
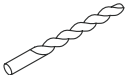
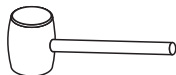


2) Additional Notes


Please read these instructions carefully before starting installation.

Special care should be taken when drilling walls to avoid hidden pipes or electrical cables.

Note: this product is heavy and may require two people to install.

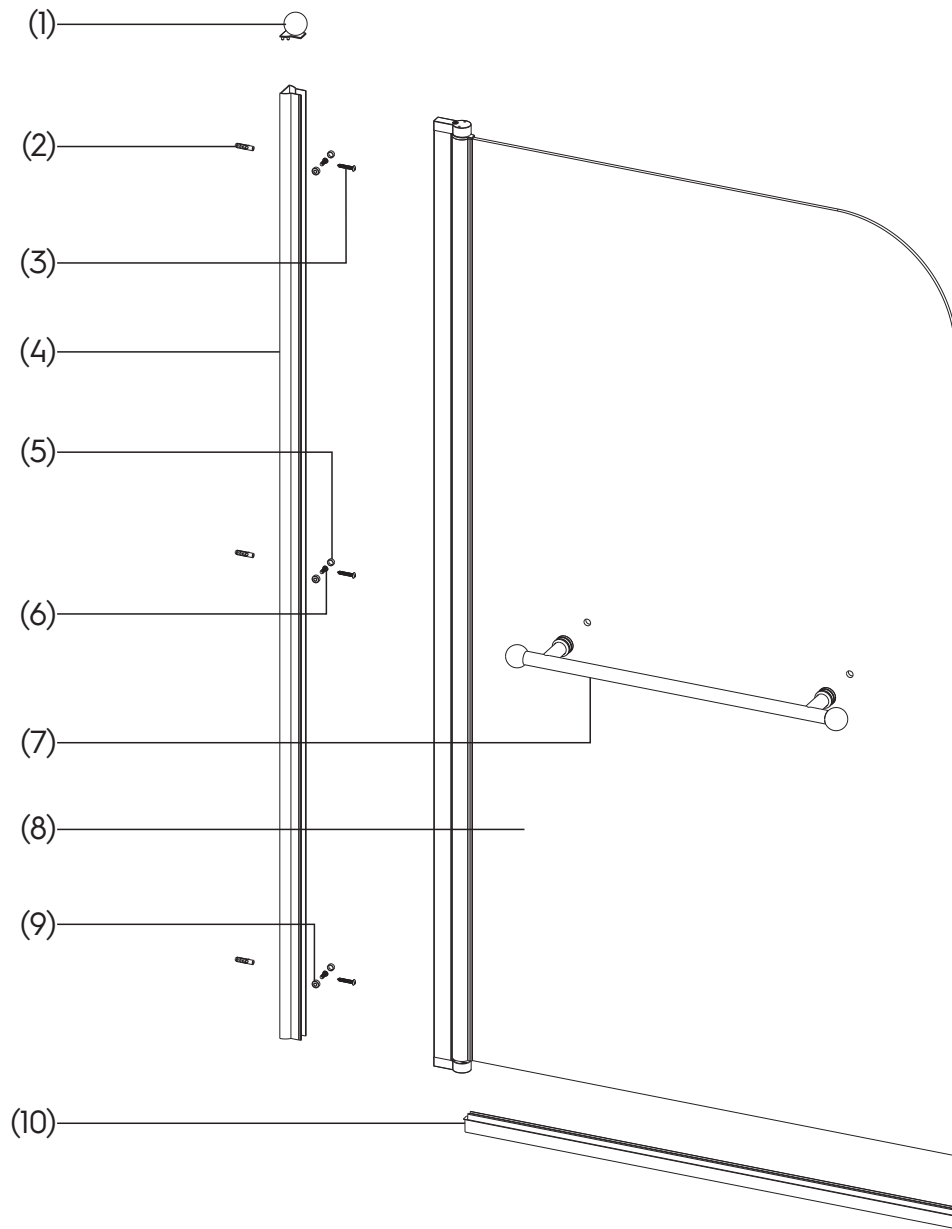
TOOLS REQUIRED

DESCRIPTION	PART IMAGE	DESCRIPTION	PART IMAGE
Tape measure		Drill	
Spirit level		Flat-head Screwdriver	
Pencil		Cross head Screwdriver	 PZ1
Ø6mm Drill bit		Mallet	
Ø3mm Drill bit		Silicone Sealant	

 This product is heavy and may require two people to install.

ASSEMBLY INSTRUCTIONS - DRAWING

NB: ALL MEASUREMENTS + COMPONENT SIZES QUOTED ARE IN MM.



PACK I.D

- E (1) 1x Wall Profile Cover Cap
- E (2) 3x Wall Plugs
- E (3) 3x Screws 4x30
- B (4) 1x Wall Profile
- E (5) 3x Screw Cover Caps

PACK I.D

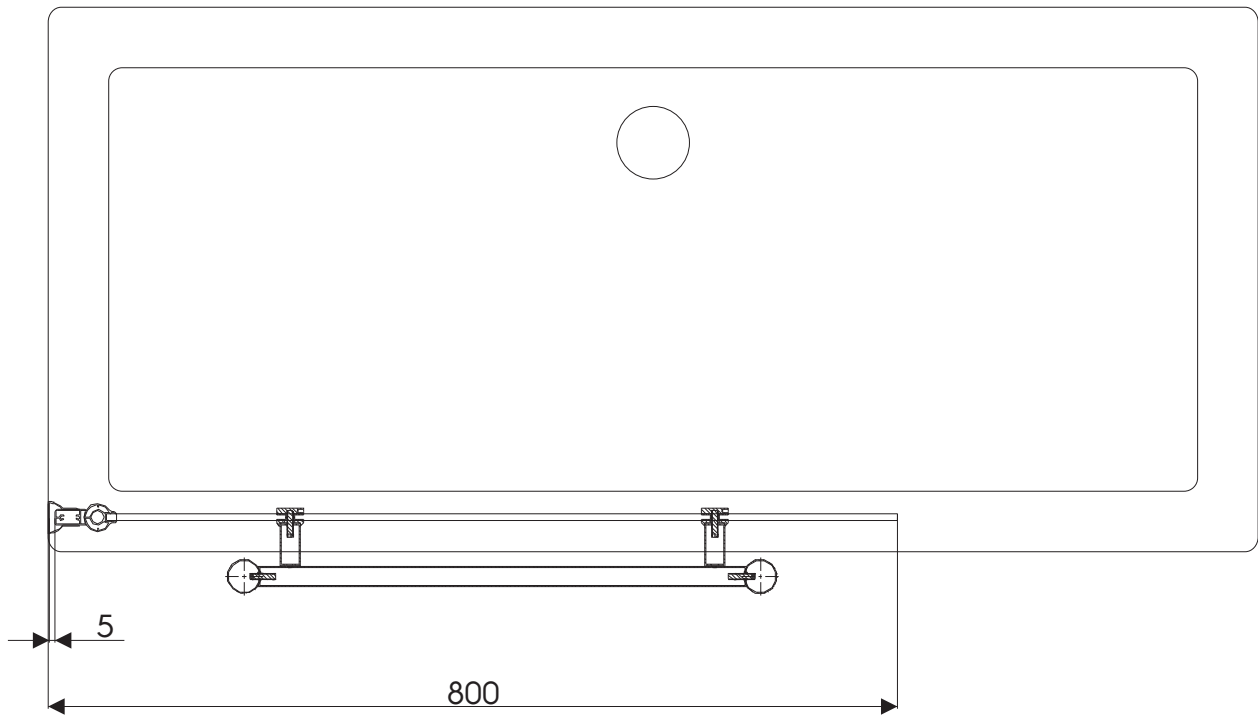
- E (6) 3x Screws 4x12
- D (7) 1x Towel Rail
- A (8) 1x Moving Panel
- E (9) 3x Screw Cover Clips
- C (10) 1x Bottom Seal

ASSEMBLY INSTRUCTIONS

If you require help, we advise you to contact a competent plumber.

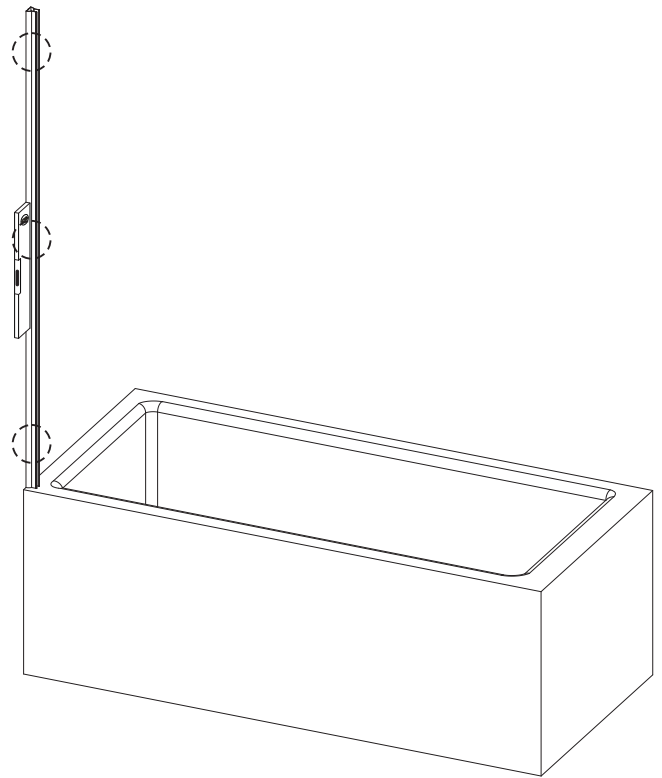
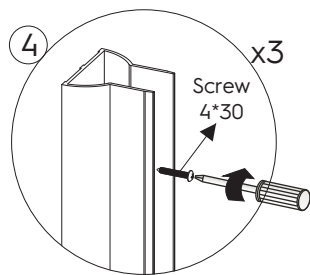
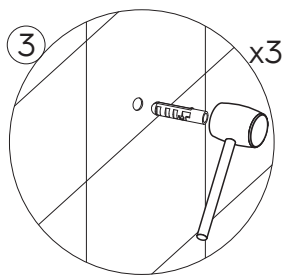
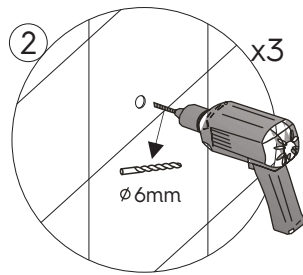
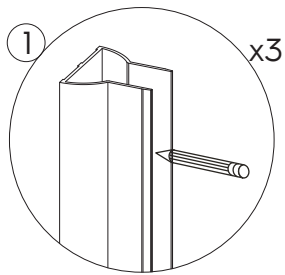
Installation Steps

FITTED BATH SCREEN DRAWING

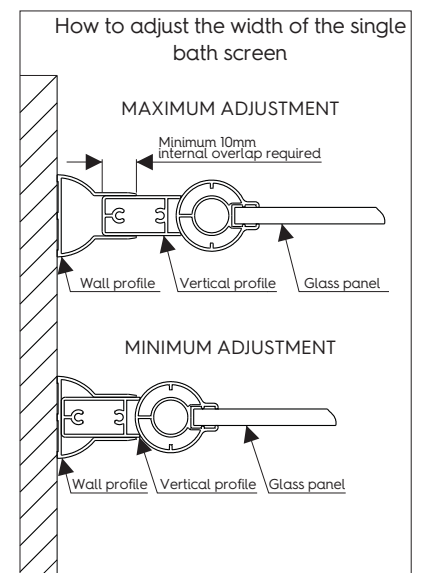
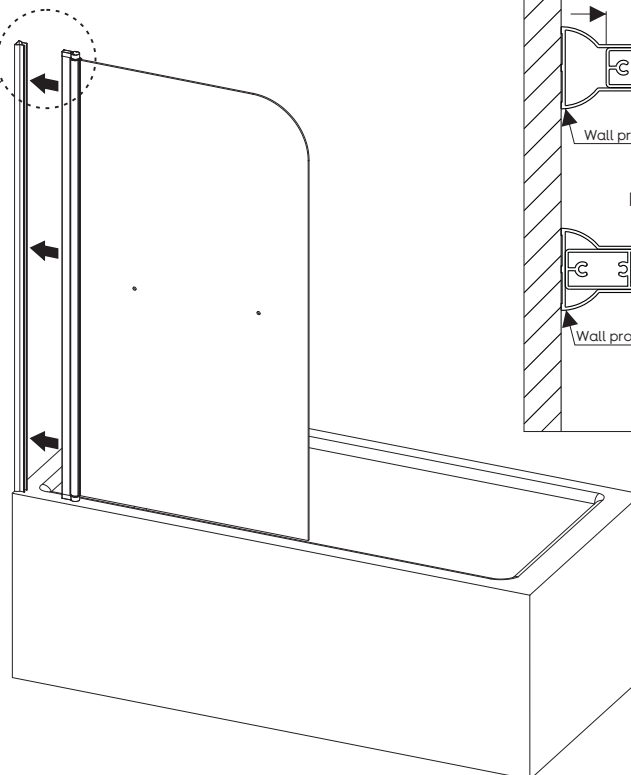
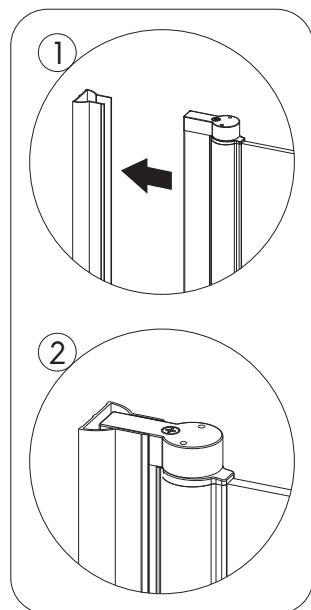


STEP 1 MARK WALL FIXING POSITIONS AND DRILL WALL PLUG HOLES

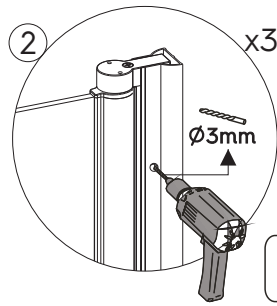
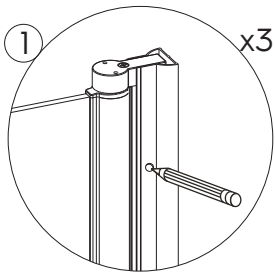
MAKE SURE THE BATH IS LEVEL, USING A SPIRIT LEVEL, BEFORE INSTALLING THIS SHOWER SCREEN.



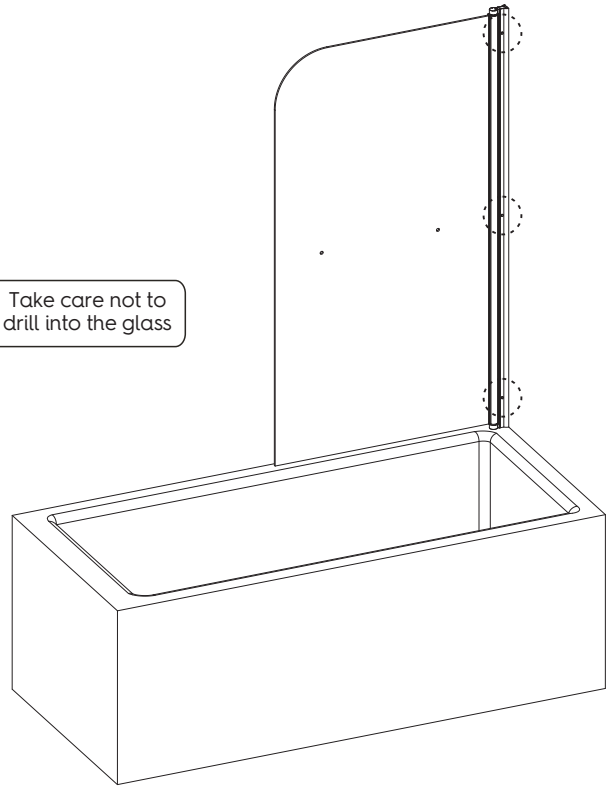
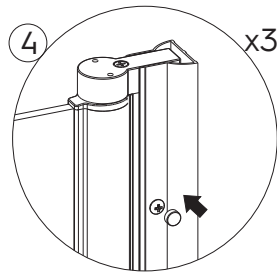
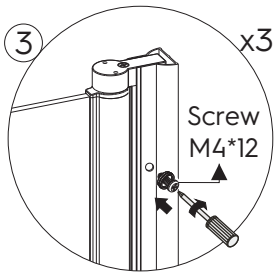
STEP 2 SLIDE THE GLASS SCREEN INTO THE WALL PROFILE



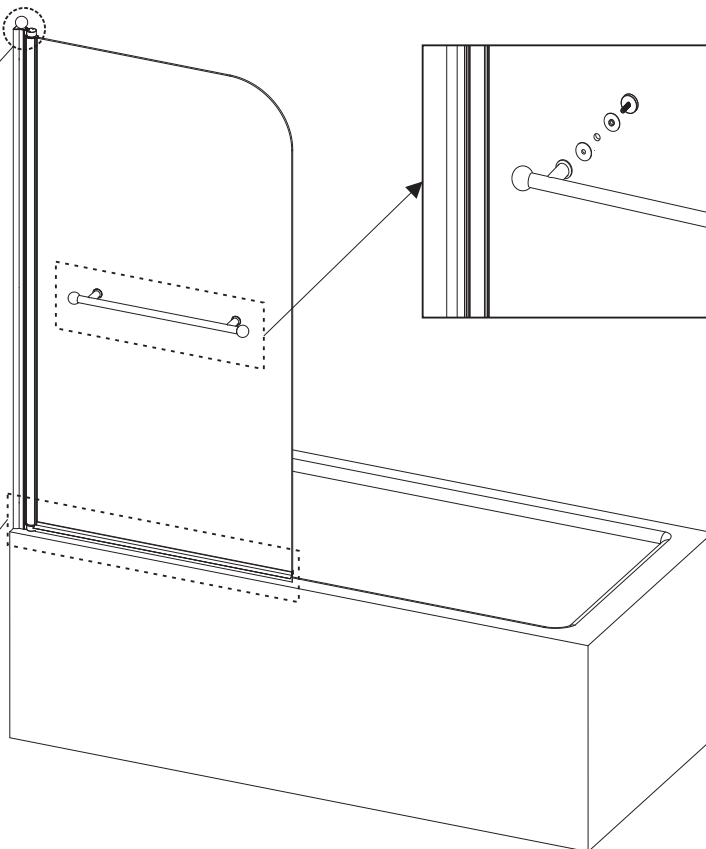
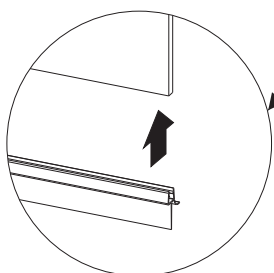
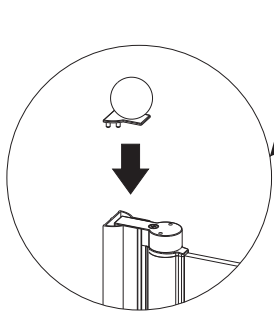
STEP 3 FIXING TO THE WALL PROFILE



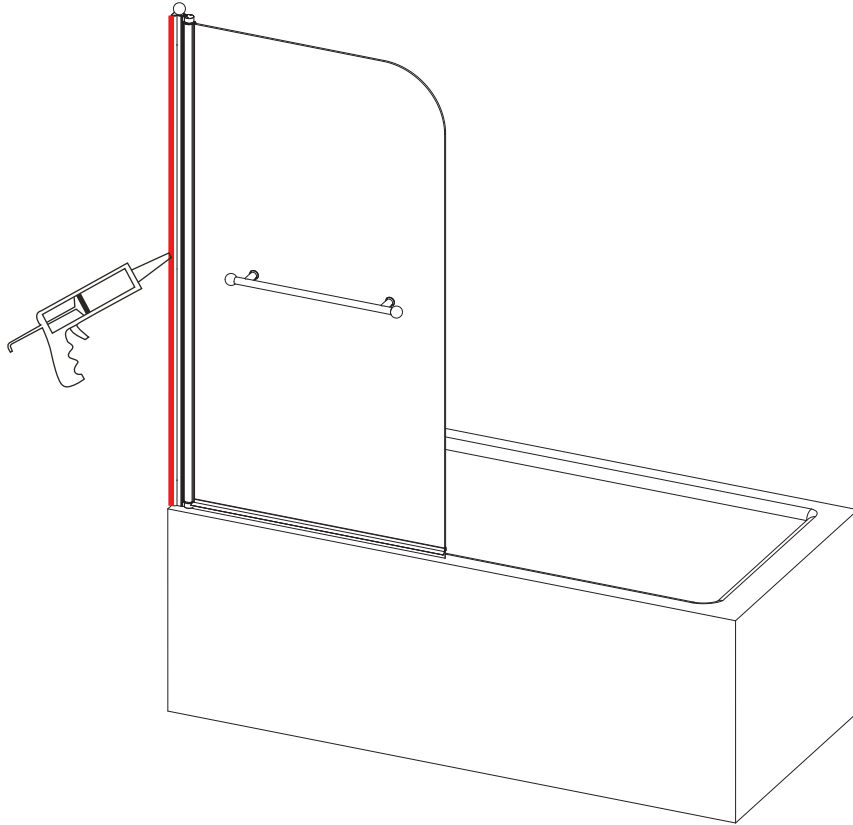
⚠ Take care not to drill into the glass



STEP 4 FITTING WALL PROFILE COVER CAP, BOTTOM SEAL AND TOWEL RAIL



STEP 5 SILICONE OUTSIDE EDGES



Allow 24 hours for silicone to dry before use.
Silicone on the outside edge only

CARE AND MAINTENANCE

1) AFTER CARE INSTRUCTIONS

Regularly clean your shower product with warm soapy water to prevent lime scale build up. Do not use abrasive cleaning fluids or materials, or strong chemical cleaners as this will damage the product surface.

2) MAINTENANCE

Clean the plastic parts with a cloth and mild detergent. Never use any abrasive creams, dissolvents, acetone or detergents and disinfectants that contain chlorine. The supplier accepts no liability for any type of use of care other than those contained in these instructions. The supplier reserves the right to introduce technical changes without notice.

COMMITMENT TO QUALITY

It is our intention that the quality and functions of this product are of the highest standard. If you require help we advise you firstly contact a competent plumber. However we understand that this may not always be the case, so should you experience any problems please contact our customer services quoting the following:

Product name: 6mm Traditional Bath Screen

Product code: CSS1003

Customer help line number: 0344 804 48 48

INSTALLERS NOTES

INSTALLERS NOTES

INSTALLERS NOTES



Victoria Plum Limited, Bridgehead Business Park
Hessle, HU13 0DG

13/14/16

EN 14428:2004+A1:2008

DOP No.:2013102/2014612/J160401002-1

Shower enclosures with aluminium
profiles and safety glass

Essential characteristics	Performance	Harmonised technical specification
Cleanability	Pass	Clause 4.2 of EN 14428:2004+A1:2008
Impact resistance/shatter properties	Pass	Clause 4.3 of EN 14428:2004+A1:2008
Durability	Pass	Clause 4.4 of EN 14428:2004+A1:2008

The packaging you have received with your product is 100% recyclable.
It must be disposed of in a safe and environmentally friendly way.
We suggest you take it to the local landfill site and discard in the designated bins.