

ARTISAN

Thermostatic Exposed Bar Shower with Adjustable Riser Kit, Multi-Function Handset & Fast-Fit Connections

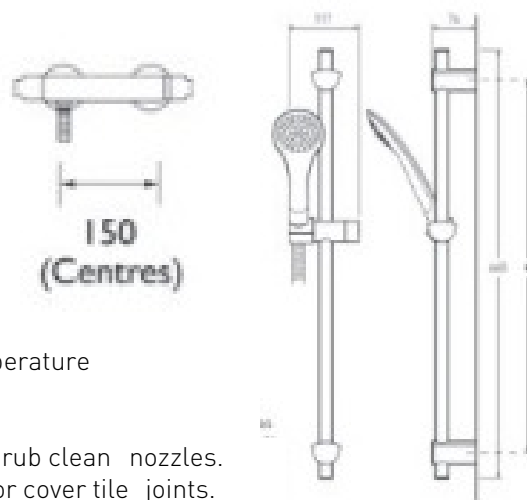
Product Specification

Product Code:	AR2 SHXMTFF C
Finish:	Chrome
Product Type:	Contemporary
Construction:	Body is of Brass Construction
Valve Type:	¼ Turn ½" Ceramic Disc Valve
Cartridge Type:	Thermostatic Cartridge
Supply:	Suitable for all plumbing systems, preferably balanced
Inlet Connection:	15mm Compression Connections
Outlet Connection:	G ½"
Working Pressures:	Min 0.1 Bar, Max 5.0 Bar
Dimensions for Fitting:	150mm inlet centres



Additional Information

- Dual control – Flow and temperature are controlled separately, giving accurate control of both
- Thermostatic cartridge maintains showering temperature to +/- 1°C by compensating for changes in the incoming water temperature and pressure giving the stable outlet temperature
- Automatic shut off in the event of hot or cold water supply failure, thus reducing the risk of any injury
- Factory set to a maximum of 38°C to eliminate the ability to select an unsafe temperature – this is adjustable to suit user preference and up to a maximum of 46°C.
- Utilises unique fast fit system – wall mount WMNT10 C
- Supplied with 1.5m hose, riser rail, hose retainer and multi function handset with rub clean nozzles.
- Riser rail brackets can be adjust up and down the rail to cover any existing holes or cover tile joints.
- Chrome plated to BS EN 248
- Product supplied with 2 x 7 litre per minute flow regulators



Flow Rates (litres per minute)

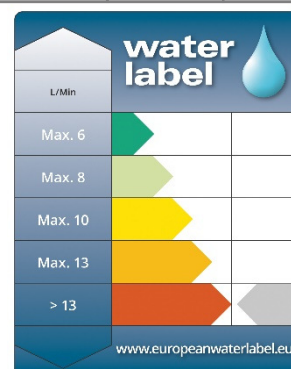
System Pressure (bar)	0.2	0.5	1.0	2.0	3.0	4.0	5.0
Open Outlet Without Flow Regulators fitted	6.6	10.8	15.4	18.8	26.8	30.7	34.3
Open Outlet With Flow Regulators fitted	--	10	14.0	14.0	14.0	14.0	14.0
Through Handset With Flow Regulators fitted	--	5.5	8.3	12	14.0	14.0	14.0

Technical Advice:

For further information please call 0844 7016273 or email customer@bristan.com

Guarantee:

5 years covering manufacturing faults.



Bristan, Birch Coppice Business Park, Dordon, Tamworth, B78 1SG
 Telephone: 0844 701 6274 Facsimile: 0844 701 6275
 Web Site: www.bristan.com Email: enquire@bristan.com

