

# TECHNICAL DATA SHEET



## COLONIAL Bath Taps

### Product Specification

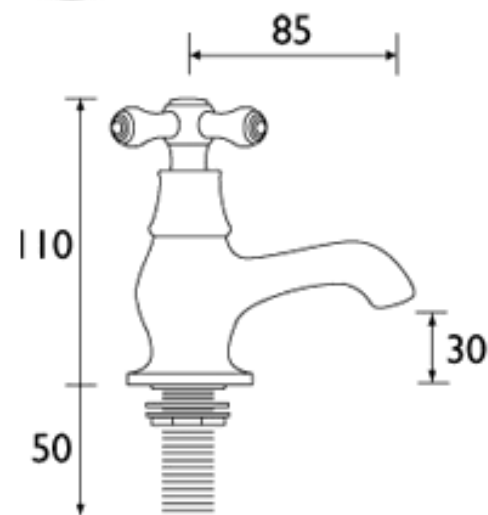
Product Codes & Finishes:	K ¾ C (Chrome) K ¾ G (Vintage Gold)
Product Type:	Traditional
Construction:	Body is of Brass Construction
Valve Type:	½" standard valves
Supply:	Suitable for all plumbing systems
Inlet Connections:	¾" BSP
Water Pressure:	Min 0.2 bar, Max. 8.0 bar



Chrome pictured

### Additional Information

- Supplied with metal heads
- Chrome plated to BS EN 248



### Flow Rates (litres per minute)

System Pressure	0.2bar	0.5bar	1.0bar	2.0bar	3.0bar	5.0bar
Open Outlet	22.5	35.8	50.6	71.6	87.7	113.2

### Compliance/Approvals

WRAS Approval Nos: 1312909

**Technical Advice:** For further information please call 0844 7016273  
or email [customercare@bristan.com](mailto:customercare@bristan.com)

**Guarantee:** 5 years covering manufacturing faults.

Bristan, Birch Coppice Business Park, Dordon, Tamworth, B78 1SG  
Telephone: 0844 701 6274 Facsimile: 0844 701 6275  
Web Site: [www.bristan.com](http://www.bristan.com) Email: [enquire@bristan.com](mailto:enquire@bristan.com)



The information contained on this page was correct at date of issue. Fitting dimensions are provided as a guide only. Some variation may occur due to manufacturing tolerances. Bristan pursues a policy of continuing improvement in design and performance of its products and so reserves the right to change specifications without prior notice.