

QST BSM C

QUEST Tap Range Quest Bath Shower Mixer Chrome



Features:

- Supplied with metal handles
- Supplied with metal back nuts
- Chrome plated to BS EN 248
-
-

Product Certifications:

WRAS Certificate No: 1709702



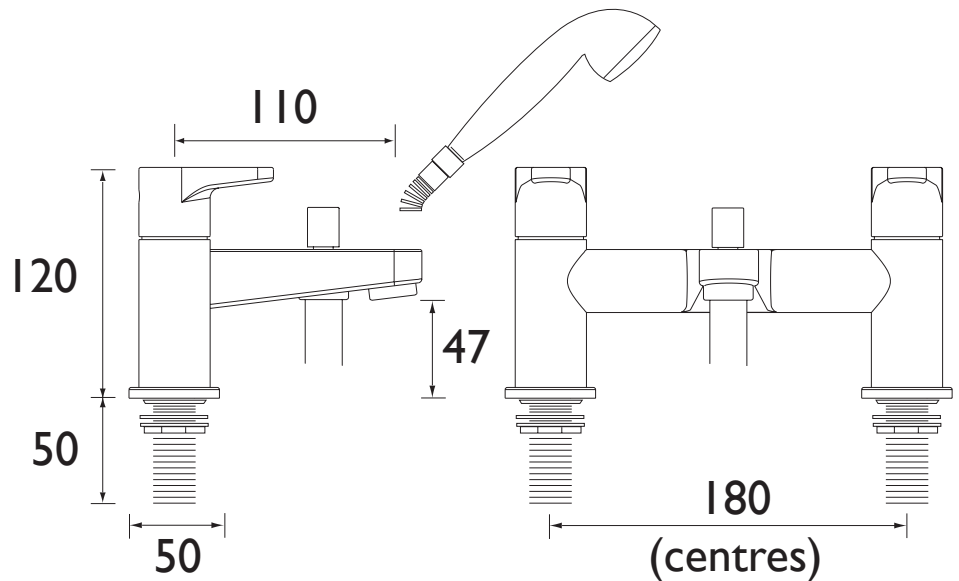
For more products, visit our website:



Specification

Style:	Contemporary
Product Type:	Bathroom Taps
Finish/Colour:	Chrome
Main Construction Material:	Brass
Mount Type:	Deck
Handle Type:	Paddle
Connection Inlet:	3/4" BSP
Number of Tap Holes Required:	2
Valve/Cartridge Type:	3/4" Ceramic Disc Valves
Plumbing System Suitability	All
Working Pressure Range:	Min. 0.3 bar, Max. 8.0 bar
Maximum Hot Water Temperature: °c	65
Maximum Dynamic Pressure: (bar)	8
Maximum Static Pressure: (bar)	10
Flow Type:	Single Flow
Flow Rate: (l/min @ 3 bar)	19.9
Connection Outlet:	G 1/2"
Isolation Included:	No

Dimensions (measurements in mm)



Flow Rates (l/min)

System Pressure (bar)	0.3	0.5	1	2	3	5
Bath Filler	19	24.6	34.8	49.2	60.2	77.7
Through Handset	6.3	8.1	11.5	16.3	19.9	25.7

**TECHNICAL
DATA
SHEET**



BRISTAN
TAPS & SHOWERS

D9