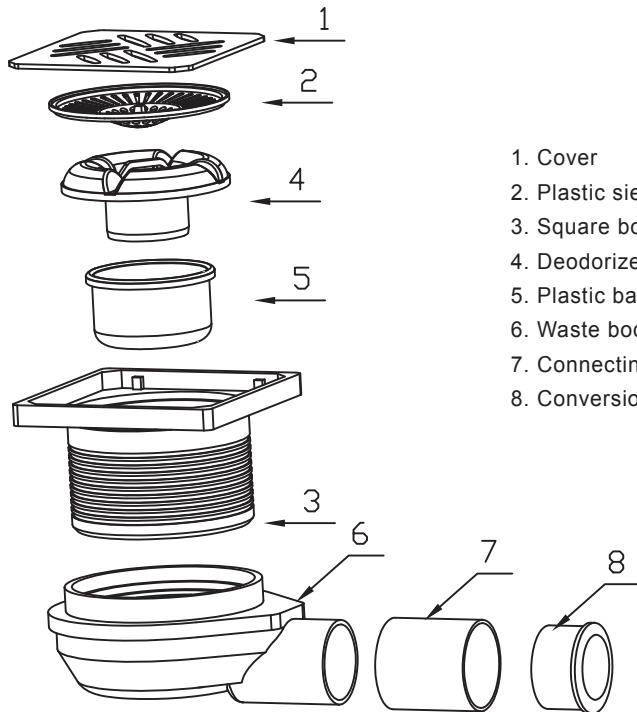


Thank you for purchasing this product. Please follow these care instructions to ensure your product retains its high quality finish  
**- and retain this leaflet for future reference.**

1. Identify all components are present prior to installation
2. Take out the cover(1),plastic sieve(2),square body(3),deodorize cover(4), plastic basket(5)
3. Insert Square body through the shower tray hole and into the waste body
4. Install the connecting pipe(7)and conversion tube(8)
5. Place plastic basket (5) and the deodorize cover (4) through the Square body (3) into the waste body (6) then mount the Plastic sieve (2) and Cover (1) into the top of the Square body (3)
6. Please check all components whether there is leakage.



1. Cover
2. Plastic sieve
3. Square body
4. Deodorize cover
5. Plastic basket
6. Waste body
7. Connecting pipe
8. Conversion tube

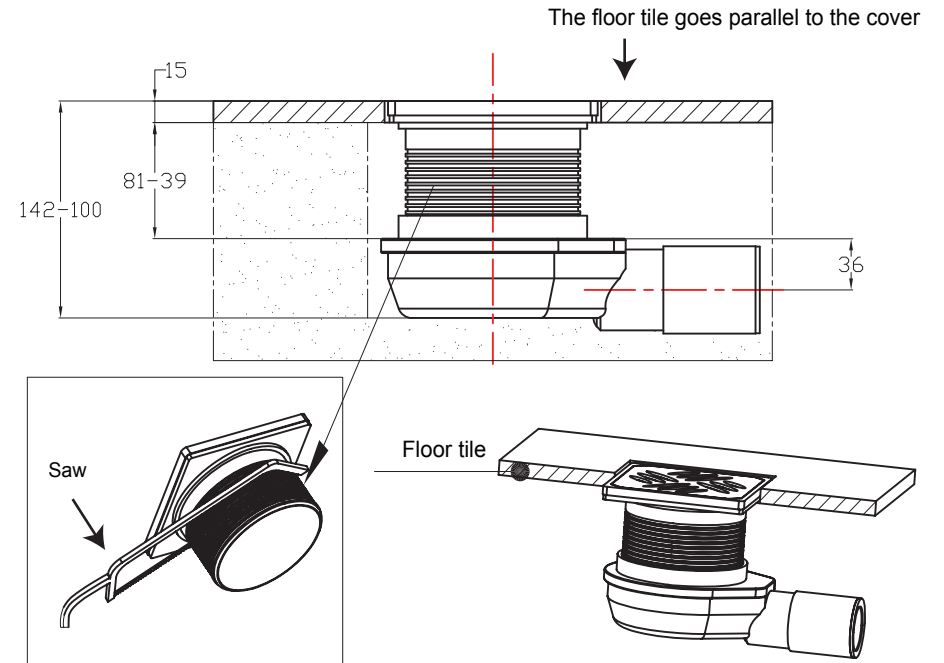
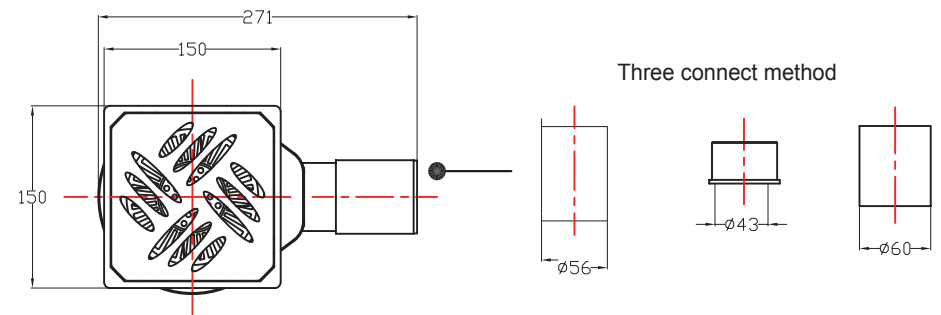


Figure 1

**If the product height is more than you need to install requirements, Please see figure 1 cut off the excess waste body length Meanwhile, please do not forgot to leave a groove for O-ring assemble**



Three connect method