

# TECHNICAL DATA SHEET



## 1901

### Basin Mixer with Pop-Up Waste

#### Product Specification

Product Codes & Finishes: N BAS C CD (Chrome)  
N BAS G CD (Vintage Gold)

Product Type: Traditional

Construction: Body is of Brass Construction

Valve Type: ¼ turn ½" Ceramic Disc Valve

Supply: Suitable for all plumbing systems,

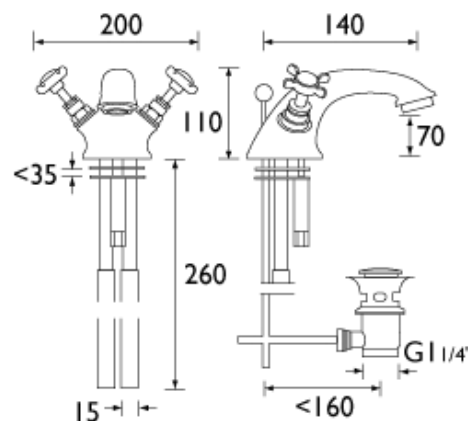
Inlet Connections: 15mm Screw-in Copper Pipes

Water Pressure: Min 0.2 bar, Max. 8.0 bar



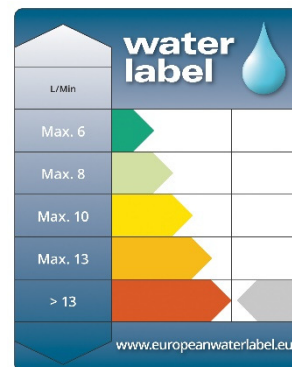
#### Additional Information

- Supplied with metal heads
- Includes Pop-Up Waste
- Chrome plated to BS EN 248



#### Flow Rates (litres per minute)

System Pressure	0.2bar	0.5bar	1.0bar	2.0bar	3.0bar	5.0bar
Open Outlet	15.67	26.1	36.91	52.2	63.93	82.53



Technical Advice: For further information please call 0844 7016273

or email [customercare@bristan.com](mailto:customercare@bristan.com)

Guarantee: 5 years covering manufacturing faults.

Bristan, Birch Coppice Business Park, Dordon, Tamworth, B78 1SG  
Telephone: 0844 701 6274 Facsimile: 0844 701 6275  
Web Site: [www.bristan.com](http://www.bristan.com) Email: [enquire@bristan.com](mailto:enquire@bristan.com)



The information contained on this page was correct at date of issue. Fitting dimensions are provided as a guide only. Some variation may occur due to manufacturing tolerances. Bristan pursues a policy of continuing improvement in design and performance of its products and so reserves the right to change specifications without prior notice.