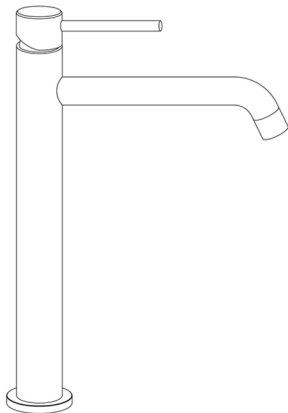


MODE

BATHROOMS

**SINGLE LEVER ROUND
BASIN MIXER CHROME/
BLACK/CHAMPAGNE GOLD
/ROSE GOLD**



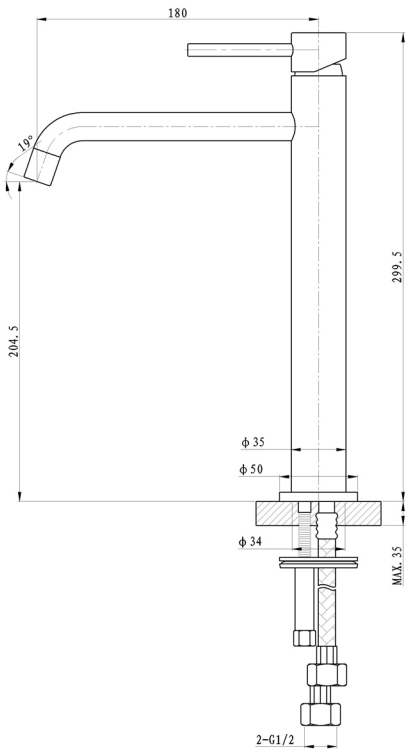
SLRBMC/SLRBMB/SLRBMG/SLRBMRG

Exclusively available @

VictoriaPlum.com

VictoriaPlum.com
0344 804 48 48

DRAWING



SINGLE LEVER ROUND BASIN MIXER

CHROME/BLACK/CHAMPAGNE GOLD/ROSE GOLD

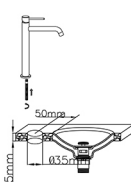
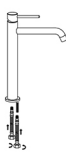
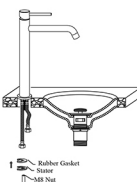
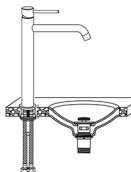
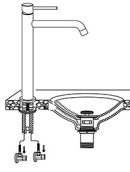
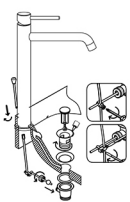
INSTALLATION AND MAINTENANCE INSTRUCTIONS

NOTES PRIOR TO INSTALLATION

1. Inspect all parts prior to installation for suitability and/or defects..
2. Any suspected defect should be reported as soon as possible.

NOTES FOR INSTALLATION

1. Please ensure pipework is clear of debris by flushing lines prior to installation.
2. We recommend hot and cold water isolation stops are used (not included in supply).

 <p>1 Make a hole with diameter 35mm on the deck 50mm from the edge; And then fix the M8 screw stem into the M8 screw hole of the mixer.</p>	 <p>2 Assemble the two flexible hoses with the tap separately (if the mixer is fixed with flexible hoses already, disassembly is not needed. Screw out the nut and the gasket, and take them go through the hole on the deck.</p>	 <p>3 Take the two flexible hoses individually to go through the hole and then fix the rubber gasket and stator with the M8 screw stem</p>
 <p>4 Adjust the stator, ensure it is at the bottom center of the hole. Fix the hexagon nut while remaining the correct direction of the mixer flow. Fasten the hexagon nut until it's firm enough.</p>	 <p>5 Fix the two flexible hoses with the hot and cold valve. Open the hot and cold valve to check if there is leakage at the junction.</p>	 <p>6 If the mixer is with pull pop-up waste. Above installation drawing is for your reference.</p>

CLEANING AND MAINTENANCE

The special chrome finish only requires cleaning with mild household detergent and dry with a clean cotton cloth to retain its lustrous shine. Avoid cleaning with abrasive material or cleaners.