

**DIGITAL SHOWER  
CONTROLLER AND VALVE  
INSTRUCTION MANUAL  
Model: DSC01**

**INDEX**

**Safety Information ..... 3-5**

**Pack Components ..... 6**

**Flow Performance ..... 7**

**System Specifications ..... 7-9**

**General Installation Schematic ..... 9**

**System Connection Diagram ..... 10**

**Processor & Diverter Installation Dimension ..... 11**

**Processor & Diverter Installation Instruction ..... 12-13**

**Panel Installation Instructions ..... 13-17**

**Commissioning ..... 18-19**

**Fault Diagnosis ..... 20-23**

**Guarantee ..... 23**

## **Safety Information**

**Please read these instructions carefully before starting installation and keep in a safe place for future reference.**

This product must be installed by a qualified and competent person in accordance with all relevant current water supply regulations.

All showers requiring an electrical connection must be installed by a qualified person following the latest version of BS7671 (Wiring Regulations) and certified to current building regulations.

Before any electrical connections are made, the electricity supply must be turned off. Any electrical installation must be carried out only by a qualified person.

This product is not intended for use by persons (including children) with reduced capabilities unless they are supervised or understand the instructions for the safe use of this product.

The shower must be not used with a hot water supply temperature over 75°C.

When you first operate the system, it will set the water temperature to 38°C. In normal use, the system will remember the last water temperature setting when it is powered on. The system will deliver a maximum water temperature of 45°C.

**Important: The processor must be installed in a location that is safely accessible for the purpose of servicing and maintenance.**

The processor must not be installed in situations where either the ambient temperature is likely to exceed 40°C or where freezing may occur.

The control panel must not be installed in situations where the ambient temperature is likely to fall below 5°C or rise above 70°C.

**Cables which are chased into the wall must also be protected by a suitable sized conduit or sheathing to allow removal for servicing and maintenance.**

Surface mounted cables must also be protected by a suitable approved conduit, even in a loft, where there may be a risk of damage from vermin.

The user control is supplied from a low voltage source.

Please check for hidden pipes or cables before drilling any holes.

This product is suitable for domestic use and, with a reduced guarantee period, for commercial use.

**This product is suitable for thermal storage cistern and combination boiler system which can guarantee continuous hot water supply.**

## **Pipe sizing**

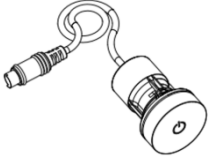
Long pipe runs, on both inlet and outlet, will reduce the flow rate at the shower head, 22mm pipe work should be used on inlets and reduce down to 15mm as close to the processor as possible to reduce pressure losses and help maintain flow rate. To optimize performance minimize the number of elbows used.

All copper pipework must be cross-bonded and connected to an earthing point.

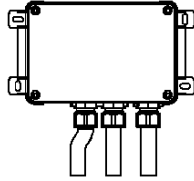
## **After installation**

**IMPORTANT:** After finishing installation, firstly, open both cold and hot inlet valves to inspect for water leakage from joins in the water system. If it is OK connect the power supply. Then, press the Power On/off button to turn on the system, and inspect for any water leakage from joins in the outlet water system. After confirming no leakage on the inlet and outlet water system, then start functional commissioning. The mixer and diverter units should be installed with service access, as filters may need cleaning or plumbing checked.

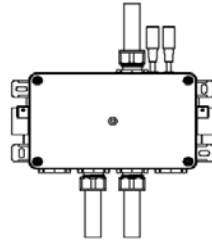
## Pack Components



Control Panel\*1pc



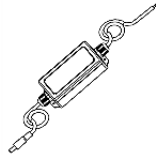
Processor\*1pc



Double Outlet Diverter\*1pc



Display Panel\*1pc



Power Adapter\*1pc



2m Extension Cable\*1pc



Screw 3.5\*25mm\*8pcs



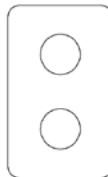
Wall Plugs\*8pcs



Communication Cable\*1pc



Red O-ring\*5pcs



Stainless steel Plate\*1pc



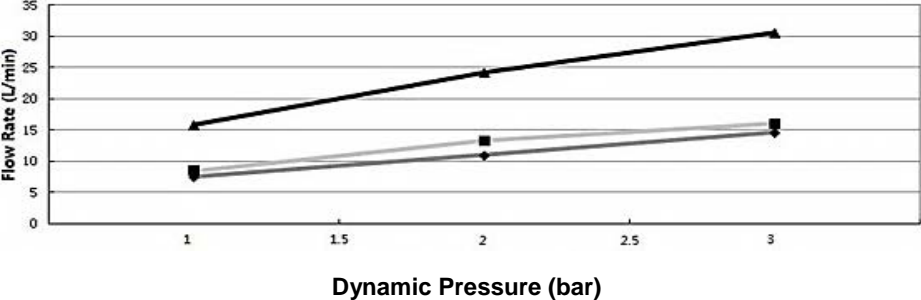
Instruction Manual\*1pc

**Note:**  Filters are factory fitted in the processor inlets.

**Red O-ring should be fitted on all female connectors during assembly; it is used to guarantee waterproof purpose.**

Pipework and plumbing fittings should be sourced locally to suit the configuration of your installation. To avoid leaks, we recommend the use of flexible piping to connect the water inlets and outlets

## Flow Performance



◆ Inlet Cold Water Flow Rate    ■ Inlet Hot Water Flow Rate    ▼ Outlet Mixed Flow Rate

Above performance curve of testing data is obtained when inlet cold water temperature is 20°C, and inlet hot water temperature is 65°C at water pressure of 3 bar.

## System Specifications

Electrical Parameters	
Input Supply Voltage	AC110V-230V 50Hz-60Hz
Supply Voltage of Control Panel & Processor & Diverter	DC12V
Maximum Load	18W

<b>Water Pressures</b>	
Inlet Cold Water Static Pressure	1bar-10bar
Inlet Cold Water Dynamic Pressure	1bar-5bar
Inlet Hot Water Static Pressure	1bar-10bar
Inlet Hot Water Dynamic Pressure	1bar-5bar
Outlet Water Flow Rate (at 3bar)	25 L/min
<b>Temperatures</b>	
Maximum Temperature (Factory Preset)	38°C
Maximum Temperature (Setting Range)	25°C-45°C
Minimum Temperature	25°C, Full Cold water selectable
High Temperature Protection	49°C
Temperature Stability	+/- 1°C at recommended supply conditions
Hot Water Range	55-75°C
Cold Water Range	4°C-25°C
Ambient Temperature	4°C-40°C
Humidity	95% non-condensing
<b>Times</b>	



# MODE BATHROOMS

Power Off Water Protection Time	$\leq 3s$
Cold Water Supply Failure Protection	$\leq 2.5s$
<b>IP Rating</b>	IPX4
The panels are suitable for installation in the showering area.	

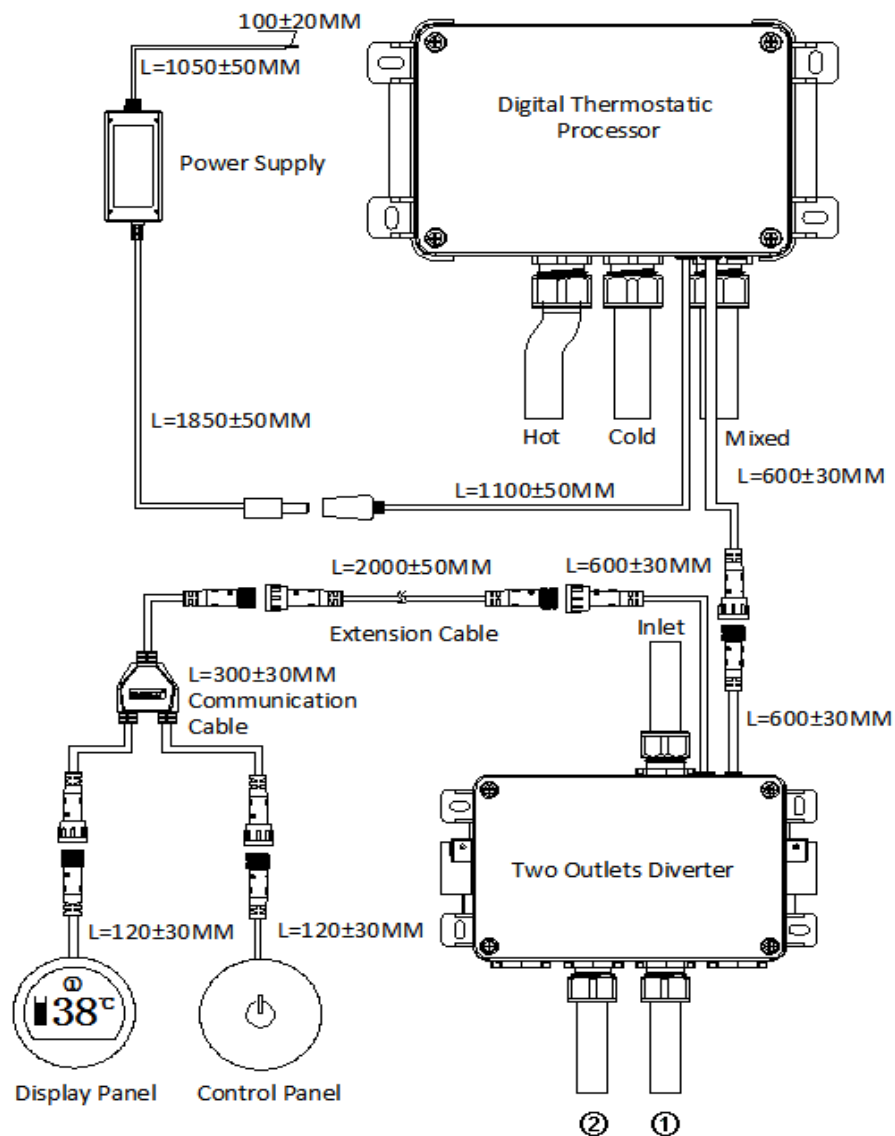
## General Installation Schematic

**IMPORTANT:** The processor must be located for convenient maintenance, not be sealed into the wall.

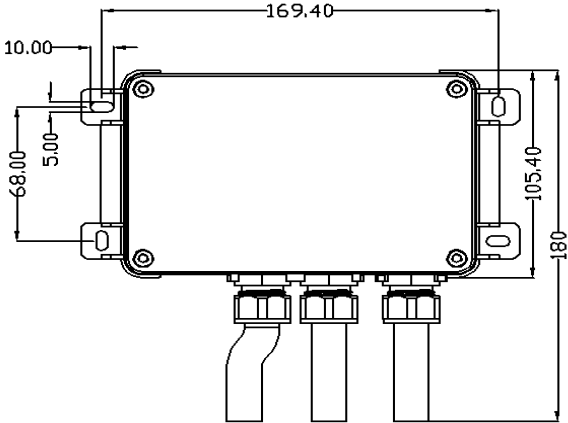


Please see our website [VictoriaPlum.com](http://VictoriaPlum.com) for any assistance  
9-23

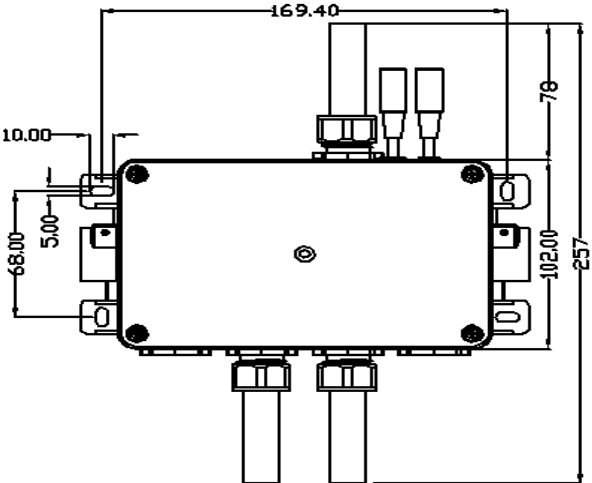
## System Connection Diagram



## Processor Installation Dimension



## Diverter Installation Dimension

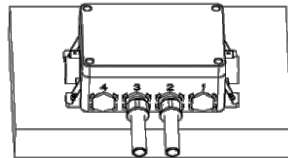
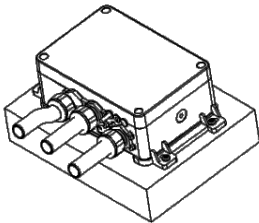


## Processor & Diverter Installation Instruction

**Step 1:** Mark the fixing holes for Processor and Diverter in the required position.

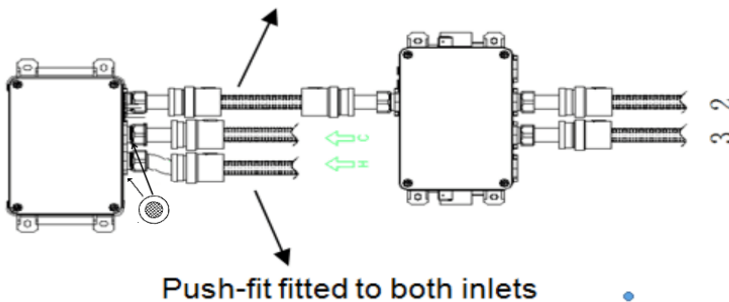
**Step 2:** Drill and plug the fixing holes.

**Step 3:** Secure the Processor and Diverter in position with the fixing screws

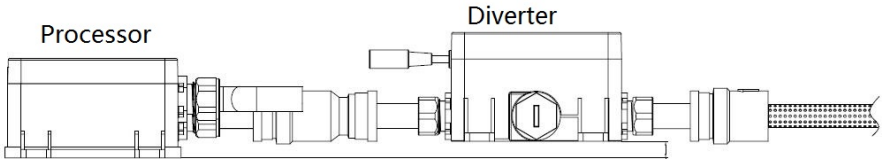


**Step 4:** The processor and diverter are fitted with copper tails. We recommend using push fit connectors for installation.

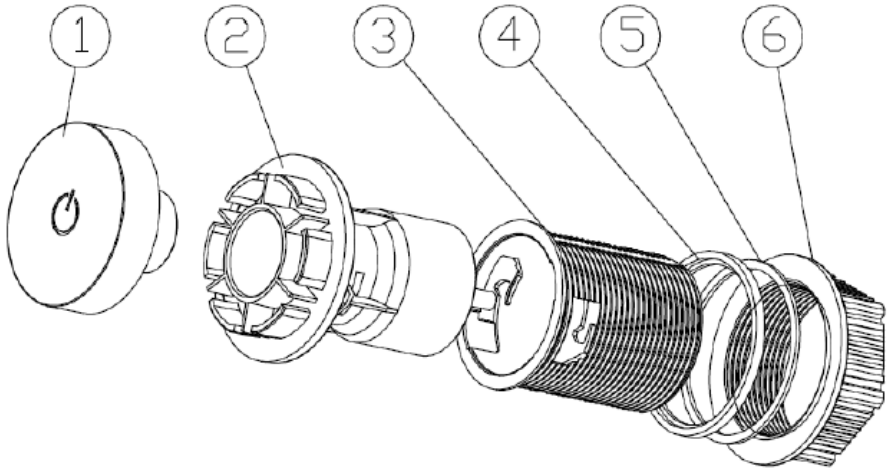
### Push-fit connector to the Shower Fittings(Diverter)



Ensure that all pipe works are perpendicular to the processor or diverter. Otherwise, external force on the connectors of processor or diverter may cause leakage. We recommend the use of flexible piping to connect the water inlets and outlets.



## Panel Installation Instructions



1- Control Knob

2- Control Body

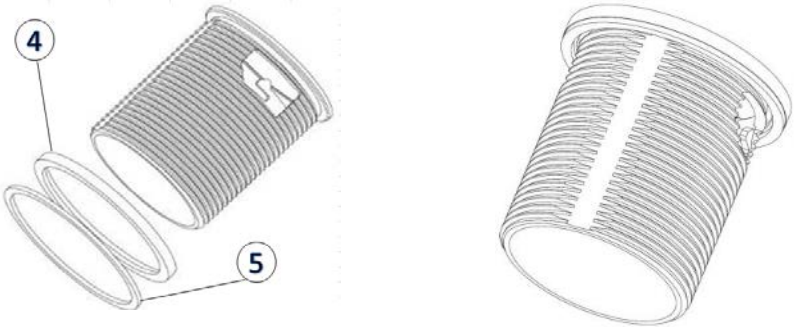
3- Installation Bracket

4- Chrome Plated Ring

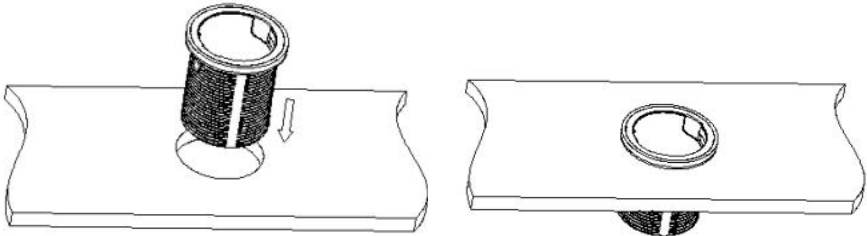
5- Foam Sealer

6- Clamp Nut

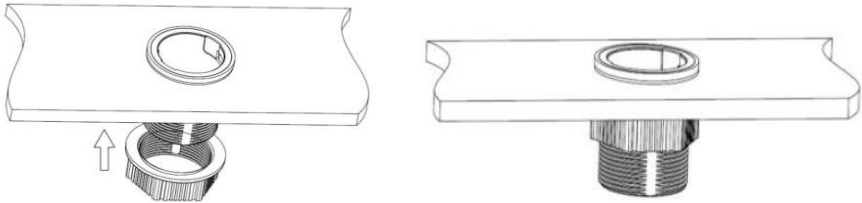
**Step 1:** Put the Foam Sealer and Chrome Plated Ring on the installation bracket.



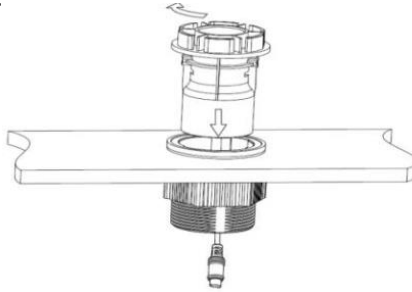
**Step 2:** Insert the Installation bracket into the hole of stainless steel plate.



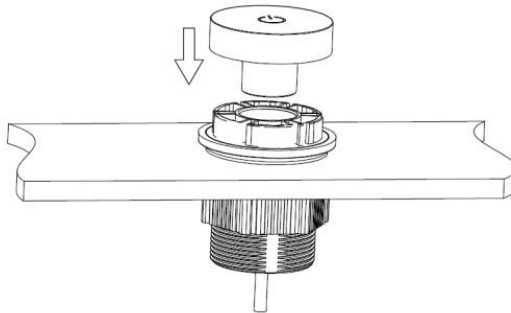
**Step 3:** Screw the clamp nut to fix the bracket.



**Step 4:** Insert the control body and turn clockwise to lock the control panel on the stainless steel plate.



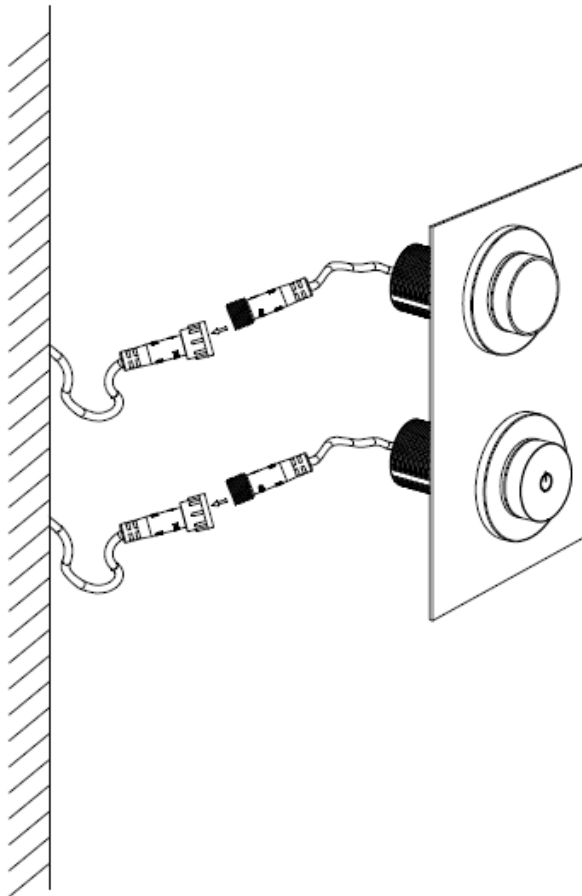
**Step 5:** Put and press down the control Knob on the control body to finish the installation.



**Step 6:** Repeat the same steps to install the display panel.

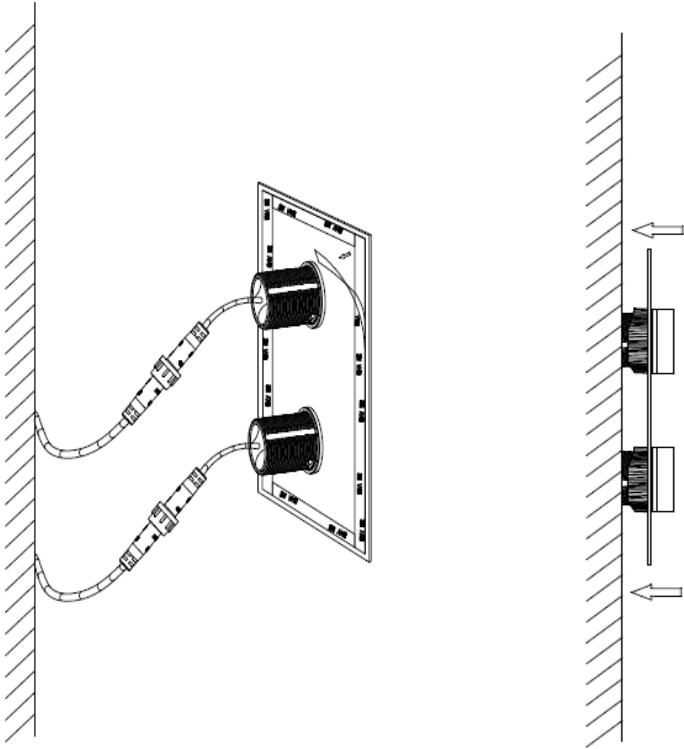
**Step 7:** Connect two panels with communication cable from wall or shower screen.

**Remember to put red O-ring on female connectors before connection.**





**Step 8:** Tear off 3M tape and apply adhesive before pushing the plate on wall or shower screen.



## Commissioning

1. **Power on Processor:** Turn on the power to the processor and diverter, and system is in standby.
2. **Power on Control panel:** Press the knob once to turn on the system, and the knob will illuminate **Purple**. The display screen shows the setting temperature. Factory pre-set temperature is 38°C.



3. **Outlet selection:** When the system is on, long press and rotate the button to select an outlet. The display will show 1 or 2 as you switch between the outlets
4. **Temperature adjustment:** To increase the water temperature, turn the knob clockwise. The maximum temperature setting is 45°C– the knob will illuminate red when the temperature is between 40 and 45°C, and you will see temperature on screen. To decrease the temperature, just turn the knob anti-clockwise. The minimum temperature will depend on

# MODE

## BATHROOMS

---

your cold water supply. The knob will illuminate blue when the temperature is less than 25°C, and the display screen shows “COLD”. In normal use, the system will remember the last water temperature setting when it is powered on again.

5. **Power Off:** Press the knob again to turn off the water flow. The light under the knob will turn off.

## Fault Diagnosis

Read the **Safety Information** section before using or servicing the product.

If any maintenance is required then it must be carried out by a competent person. Before replacing any parts, make sure that the underlying cause of the malfunction has been resolved. All malfunctions will be indicated by fault code warning on the display screen.

Fault Code	Possible Causes	Fault Remedy
<p><b>COLD INLET FAILURE</b></p>	<p>This is caused by suddenly no inlet cold water and temperature sensor detects over-temperature.</p>	<p>Ensure cold water supply to the processor is installed and flowing correctly. Once cold water supply recovers, press the knob to clear the fault, then press again to power on the shower</p>
<p><b>TEMPERATURE CONTROL FAILURE</b></p>	<p>Outlet water temperature sensor failure</p>	<p>Contact <a href="http://VictoriaPlum.com">VictoriaPlum.com</a> via Online Chat or on 0344 804 4848</p>

<b>Fault Code</b>	<b>Possible Causes</b>	<b>Fault Remedy</b>
<b>INLET TEMPERATURE SENSOR FAILURE”</b>	Hot water temperature sensor failure	Contact VictoriaPlum.com via Online Chat or on 0344 804 4848
<b>OUTLET SWITCH FAILURE</b>	Motor failure	Contact VictoriaPlum.com via Online Chat or on 0344 804 4848
<b>CONNECTION ERROR</b>	Cable is not connected	Ensure the data connection cable between the panels and the processor is installed correctly. Press the knob to clear the fault, then press again to power on the shower
	Pins are damaged	Check communication cable
<b>INLET HOT WATER TEMPERATURE OVER 85°C</b>	Inlet hot water temperature is over 85°C	Adjust inlet hot water temperature ( < 85°C )

Fault Code	Possible Causes	Fault Remedy
<b>INLET HOT WATER TEMPERATURE IS TOO LOW</b>	No hot water	Ensure hot water supply to the processor is installed and that your heating system is working correctly
	Inlet hot water temperature is too low	Adjust inlet hot water temperature ( $\geq 55^{\circ}\text{C}$ )
	Check valve in hot water inlet failure & cold water pressure is too high	Check the valve to ensure it's clean and there is no external objects inside
		Contact <a href="http://VictoriaPlum.com">VictoriaPlum.com</a> via Online Chat or on 0344 804 4848
Inlet hot water pipe is too long, so mixed water cannot reach pre-set temperature within 2 minutes	Restart the unit (for multiple times if needed)	

Fault Code	Possible Causes	Fault Remedy
<b>INLET COLD WATER TEMPERATURE IS TOO HIGH</b>	Inlet cold water temperature is too high	Adjust inlet cold water temperature ( $\leq 25^{\circ}\text{C}$ )
		Adjust temperature on panel until it display "cold "
	check valve in cold water inlet failure & hot water pressure is too high	Check the valve to ensure it's clean and there is no external objects inside
Contact <a href="http://VictoriaPlum.com">VictoriaPlum.com</a> via Online Chat or on 0344 804 4848		

## Guarantee

The guarantee period of this digital thermostatic system is 5 years for domestic installations, and 12 months for commercial installations, which covers all manufacturing faults. This guarantee does not cover damage caused during fitting, damage resulting from incorrect installation or damage caused by misuse.

**Please do not open the processor unit as this will invalidate the guarantee.**