

# OP TS1503 EL C

## GUM Shower Range TS1503 Opac Lever Exposed Shower Valve



### Specification

Style:	Contemporary
Finish/Colour:	Chrome
Main Construction Material:	Brass
No of Controls:	1
Shower Type:	Exposed Shower Valve
Shower Head Type:	N/A
Valve/Cartridge Type:	Thermostatic cartridge
Maximum Hot Water Supply Temperature °C:	65
Maximum Static Pressure: (bar)	10
Plumbing System Suitability:	All - Ideally Balanced
Working Pressure Range:	Min. 0.2 Bar, Max. 8.0 Bar
Connection Inlet:	15mm Compression
Connection Outlet:	½" BSP

### Features:

- Single sequential control for both temperature and flow
- High performance at pressures as low as 0.2 bar
- Automatic shutoff in the event of hot or cold water supply failure
- Check valves and serviceable filters as standard
- Adjustable inlet elbows allow centres between 148mm - 158mm

### Product Certifications:



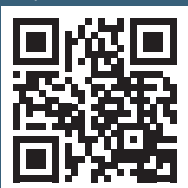
WRAS Cert. Number: 1812703  
WRAS Expiry Date: 31/12/2023



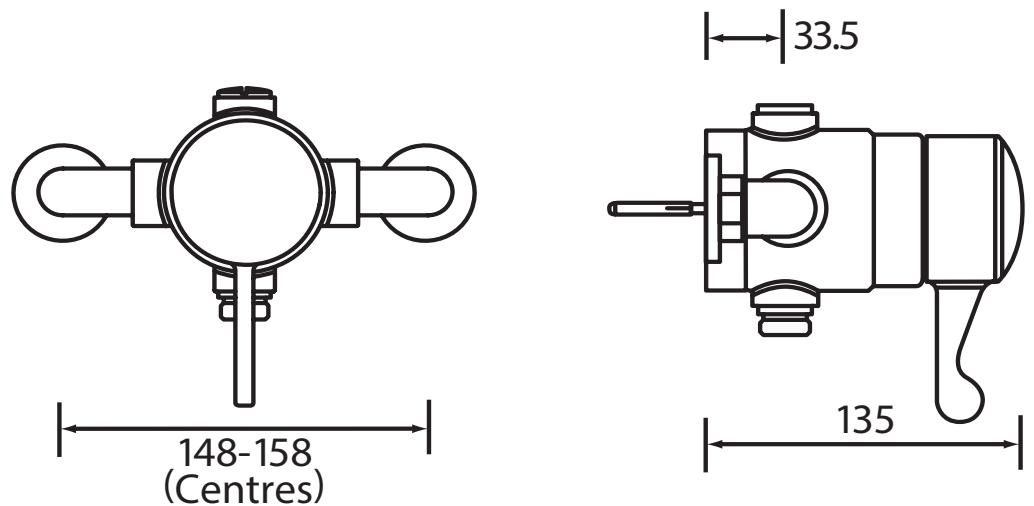
TMV3 Cert. Number: NSF2014/0718  
TMV3 Expiry Date: 06/07/2023



For more products, visit our website:  
<http://www.bristan.com>



### Dimensions (measurements in mm)



### Flow Rates (l/min)

System Pressure (bar)	0.2	0.5	1	2	3	5
Through Handset (mixed)	4.6	6.8	7.1	8.1	8.6	9

## TECHNICAL DATA SHEET



# BRISTAN

TAPS & SHOWERS

D5