

TECHNICAL DATA SHEET



1901

Bath Shower Mixer

Product Specification

Product Codes & Finishes: N BSM C CD (Chrome)
N BSM G CD (Vintage Gold)

Product Type: Traditional

Construction: Body is of Brass Construction and is designed to conform to BS EN 200

Valve Type: ¼ turn ¾" Ceramic Disc Valve

Supply: Suitable for all plumbing systems,

Inlet Connections: ¾" BSP

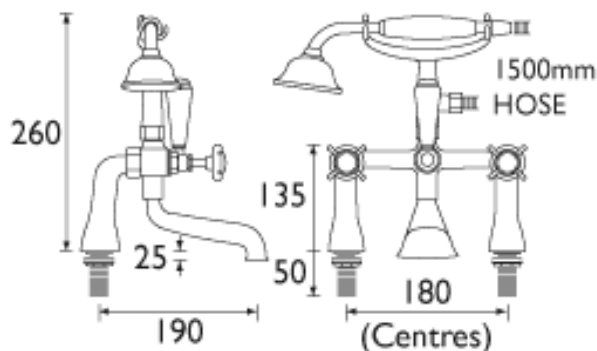
Water Pressure: Min 0.2 bar, Max. 8.0 bar

Dimensions for Fitting: 180mm inlet centres



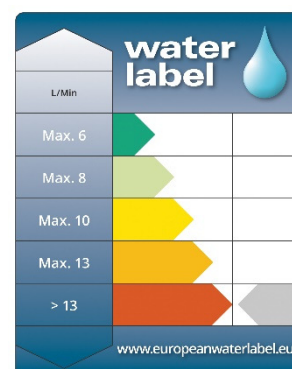
Additional Information

- Supplied with metal heads and backnuts
- Includes 1.5m hose, cradle and single function handset
- Chrome plated to BS EN 248



Flow Rates (litres per minute)

System Pressure	0.2bar	0.5bar	1.0bar	2.0bar	3.0bar	5.0bar
Bath Filler (Mixed)	27.9	44.1	62.3	88.2	108	139.4



Technical Advice: For further information please call 0844 7016273 or email customercare@bristan.com

Guarantee: 5 years covering manufacturing faults.

Bristan, Birch Coppice Business Park, Dordon, Tamworth, B78 1SG
Telephone: 0844 701 6274 Facsimile: 0844 701 6275
Web Site: www.bristan.com Email: enquire@bristan.com



The information contained on this page was correct at date of issue. Fitting dimensions are provided as a guide only. Some variation may occur due to manufacturing tolerances. Bristan pursues a policy of continuing improvement in design and performance of its products and so reserves the right to change specifications without prior notice.